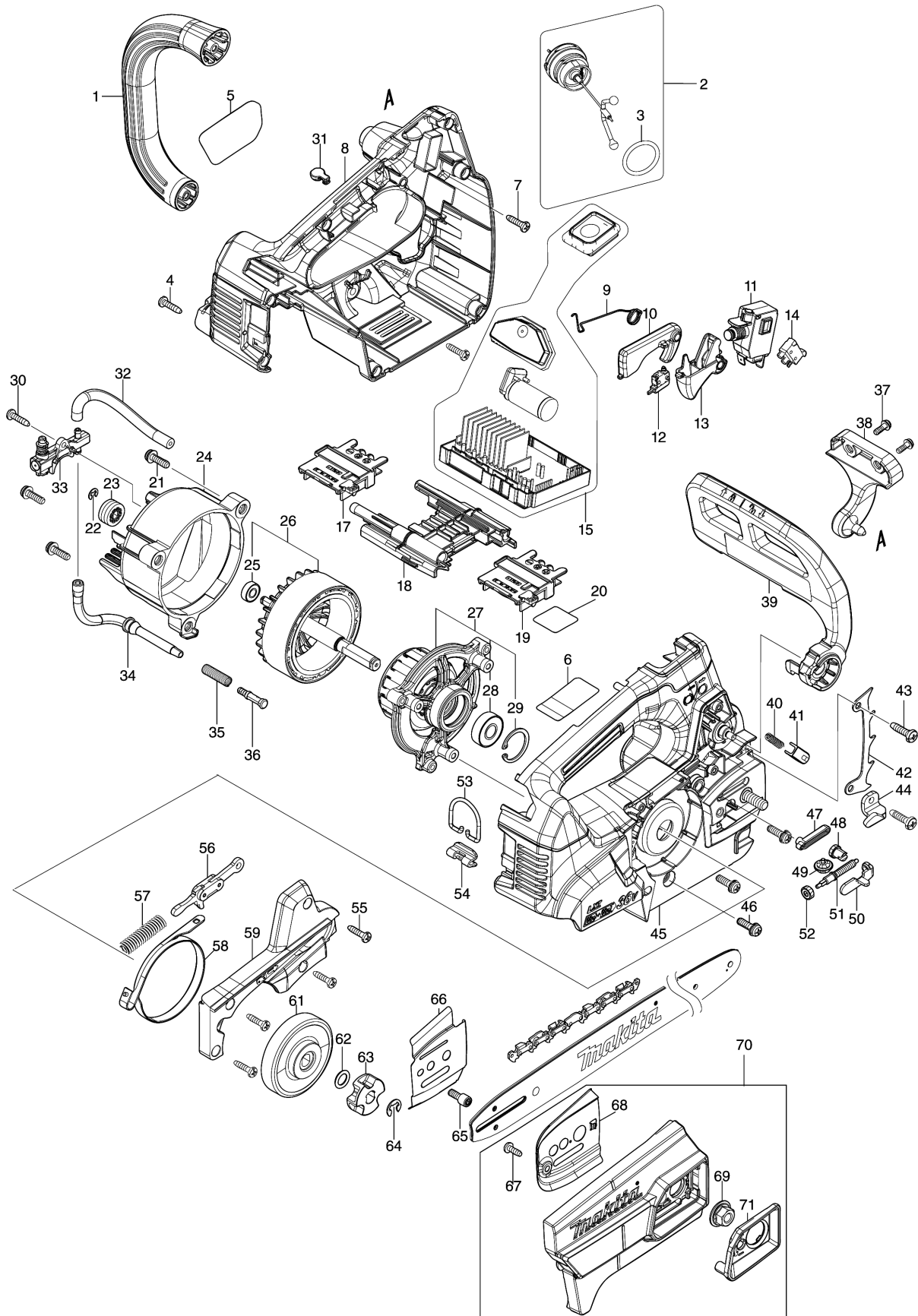


Model No.DUC306 300MM CORDLESS CHAIN SAW



Model No.DUC306 300MM CORDLESS CHAIN SAW

Item	Parts No.	Description	I/C	Qty	New/Old	Opt. 1	Opt. 2	Note
001	459275-2	FRONT HANDLE		1				
002	126832-8	TANK CAP ASSEMBLY		1				
D10		INC. 3						
003	213355-6	O-RING 25		1	*			
003-1	213894-6	O-RING 25	O	1				
004	266326-2	TAPPING SCREW 4X18		9				
005	819S63-7	DUC306 MODEL NO. LABEL		1				
006	856A24-8	DUC306 NAME PLATE		1				
007	266326-2	TAPPING SCREW 4X18		2				
008	183N15-7	HOUSING SET		1				
C10	263005-3	RUBBER PIN 6		2				
C20	424170-5	VALVE		1				
C30	454724-4	SINTER INSERT		1				
D10		INC. 45						
009	232509-6	TORSION SPRING 10		1				
010	459268-9	CATCH LEVER		1				
011	651365-9	SWITCH C3JW-6BM-P		1				
012	632L49-0	SWITCH UNIT		1				
013	459267-1	SWITCH LEVER		1				
014	632L48-2	SWITCH UNIT		1				
015	140K82-7	CONTROLLER COMPLETE		1				
C10	819R38-0	INDICATION LABEL		1				
C20	819S81-5	SWITCH LABEL		1				
017	643874-2	TERMINAL		1				
018	140K81-9	CENTER CASE COMPLETE		1	*			
C10	263005-3	RUBBER PIN 6		2	*			
018-1	140V36-0	CENTER CASE COMPLETE	<	1				
C10	263005-3	RUBBER PIN 6		2				
019	643874-2	TERMINAL		1				
020	856A29-8	DUC306 SERIAL NO. LABEL		1				
021	911228-4	PAN HEAD SCREW M5X18		3				
022	961011-9	STOP RING E-4		1				
023	226884-0	WORM GEAR		1				
024	459276-0	MOTOR HOUSING		1				
025	210026-6	BALL BEARING 696ZZ		1				
026	519576-1	ROTOR ASS'Y		1				
D10		INC. 25						
027	529420-4	STATOR ASS'Y		1				
D10		INC. 28,29						
028	210059-1	BALL BEARING 6000DDW		1				
029	962105-3	RETAINING RING R-26		1				
030	266326-2	TAPPING SCREW 4X18		1				

Please order the parts with part number.

Print Date 1/9/2020

Model No.DUC306 300MM CORDLESS CHAIN SAW

Item	Parts No.	Description	I/C	Qty	New/Old	Opt. 1	Opt. 2	Note
031	422467-6	CAP		1				
032	422451-1	OIL TUBE 3-100		1				
033	142156-4	OIL PUMP COMPLETE		1				
034	422452-9	OIL TUBE 3-130		1				
035	231975-4	SPRING		1				
036	452666-6	NIPPLE		1				
037	911118-1	PAN HEAD SCREW M4X12		2				
038	459270-2	FRONT HAND GUARD RETAINER		1				
039	140K79-6	FRONT HAND GUARD COMPLETE		1				
C10	819S75-0	CAUTION LABEL		1				
040	234210-9	COMPRESSION SPRING 3		1				
041	313212-9	HAND GUARD GUIDE		1				
042	346809-9	SPIKE BUMPER		1				
043	266420-0	TAPPING SCREW 5X20		2				
044	347516-7	CHAIN CATCHER		1				
045	183N15-7	HOUSING SET		1				
C10	263005-3	RUBBER PIN 6		2				
C20	424170-5	VALVE		1				
C30	454724-4	SINTER INSERT		1				
D10		INC. 8						
046	911228-4	PAN HEAD SCREW M5X18		3				
047	422466-8	GROMET		1				
048	227620-7	DRIVE GEAR		1				
049	227634-6	STRAIGHT BEVEL GEAR 14		1				
050	347517-5	TENSION SLIDE		1				
051	327317-9	ADJUST SCREW		1				
052	227496-2	STRAIGHT BEVEL GEAR 14		1				
053	281222-3	HOOK		1				
054	347514-1	HOOK SUPPORT		1				
055	266326-2	TAPPING SCREW 4X18		4				
056	140A74-6	LINK PLATE COMPLETE		1				
057	232452-9	COMPRESSION SPRING 7		1				
058	347515-9	BRAKE BAND COMPLETE		1				
059	459273-6	HOUSING R COVER		1				
061	162638-0	BRAKE DRUM COMPLETE		1				
062	213060-5	O RING 10		1				
063	221464-7	SPROCKET 6		1				
064	961013-5	STOP RING E-7		1				
065	266905-6	H.L. SOCKET HEAD BOLT M5X12		1				
066	347533-7	GUIDE PLATE L		1				
067	266427-6	TAPPING SCREW 4X12		1				

Please order the parts with part number.

Print Date 1/9/2020

Model No.DUC306 300MM CORDLESS CHAIN SAW

Item	Parts No.	Description	I/C	Qty	New/Old	Opt. 1	Opt. 2	Note
068	347534-5	GUIDE PLATE R		1				
069	162494-8	FLANGE NUT COMPLETE		1				
070	136138-6	SPROCKET COVER ASS'Y		1				
D10		INC. 67-69,71						
071	459278-6	NUT COVER		1				
A01	165245-8	GUIDE BAR 12		1	*			
A01-1	165245-8	GUIDE BAR 12	O	1				
A02	419288-5	CHAIN COVER		1				
A03	196740-7	SAW CHAIN SET		1				
A05	782023-7	WRENCH 13-16		1				
E01	817D83-5	CAUTION TAG		1				
E02	805011-8	SOUND 103DB LABEL		1				

Please order the parts with part number.

Print Date 1/9/2020