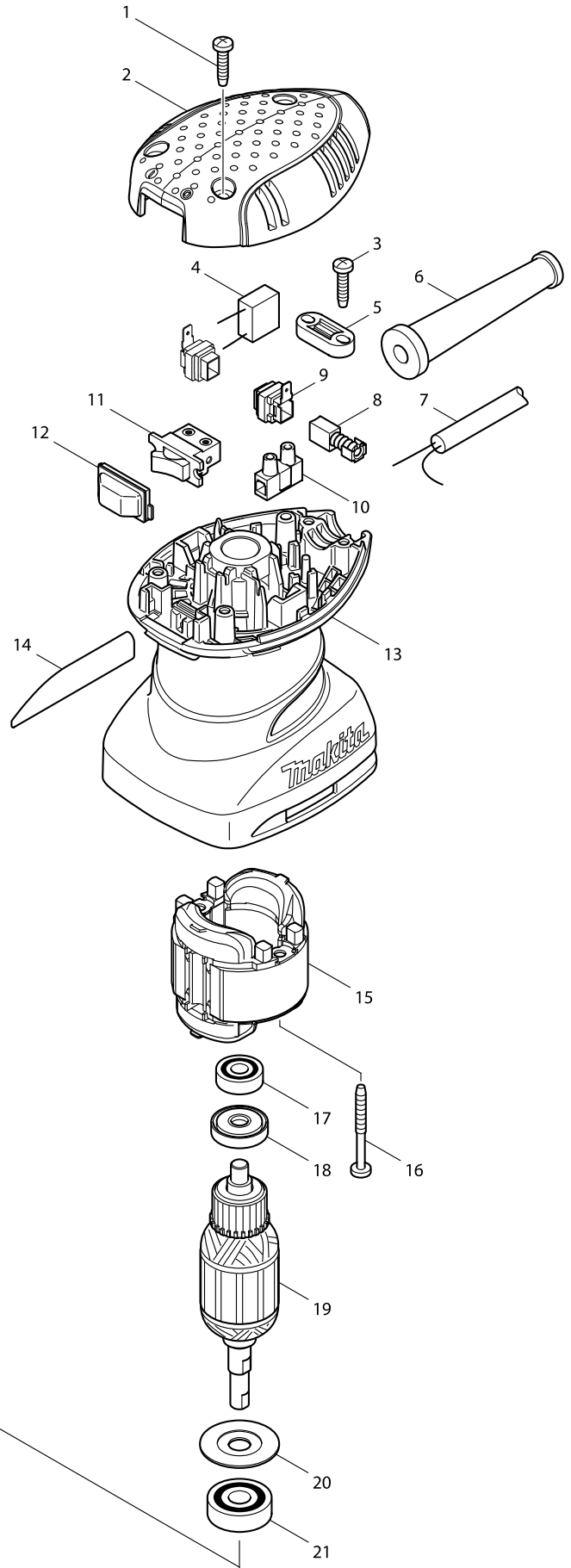
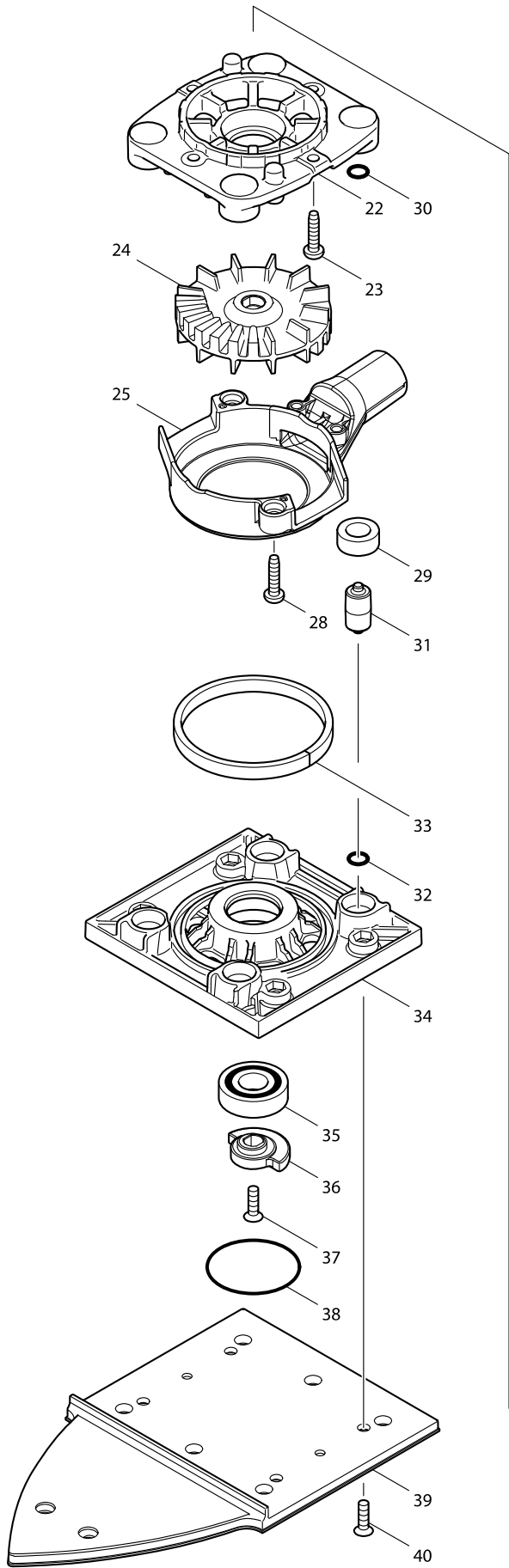


Model No. BO4565 FINISHING SANDER



Model No. BO4565 FINISHING SANDER

Item	Parts No.	Description	I/C	Qty	N/O	Opt. 1	Opt. 2	Note
001	265995-6	TAPPING SCREW 4X18		3				
002	450071-1	TOP COVER		1				
003	265995-6	TAPPING SCREW 4X18		2				
004	645105-5	NOISE SUPPRESSOR		1				
005	687124-5	STRAIN RELIEF		1				
006	682569-2	CORD GUARD 8-85		1				
007	665383-1	POWER SUPPLY CORD 1.0-2-2.0		1				
008	191962-4	CARBON BRUSH CB-419		1				
009	643995-0	BRUSH HOLDER		2				
010	654532-5	TERMINAL BLOCK 1P		1				
011	651527-9	SWITCH		1				
012	424039-3	SWITCH COVER		1				
013	450072-9	MOTOR HOUSING		1				
014	863735-2	BO4565 NAME PLATE		1				
015	593649-8	FIELD ASS'Y 240V		1				
C10	654069-2	RECEPTACLE		2				
016	266048-4	TAPPING SCREW 4X40		2				
017	210034-7	BALL BEARING 607LLB		1	*			
017-1	210062-2	BALL BEARING 607ZZ	O	1				
018	681652-2	INSULATION WASHER		1				
019	515708-8	ARMATURE ASS'Y 220-240V		1				
D10		INC. 17,18,20,21						
020	267806-1	WASHER 9		1				
021	211092-6	BALL BEARING 629DDW		1				
022	450070-3	BEARING BOX		1				
023	265995-6	TAPPING SCREW 4X18		4				
024	241671-6	FAN 63		1				
025	450069-8	FAN GUIDE		1				
028	265995-6	TAPPING SCREW 4X18		2				
029	424023-8	SPONGE SLEEVE 9		4				
030	213983-7	O RING 4		4				
031	318151-8	FOOT		4				
032	213983-7	O RING 4		4				
033	424038-5	SPONGE 6X185X3		1	*			
033-1	424684-4	SPONGE 7X87X3	O	1	*			
033-2	424684-4	SPONGE 7X87X3	O	1				
034	450068-0	BASE		1				
035	211131-2	BALL BEARING 6001DDW		1				
036	313142-4	BALANCER		1				
037	912117-6	COUNTERSUNK HEAD SCREW M4X12		1				
038	213510-0	O RING 36		1				
039	158325-7	PLATE COMPLETE		1				
040	912117-6	COUNTERSUNK HEAD SCREW M4X12		4				
A01	193932-9	PAPER DUST BAG HOLDER SET		1	*			
A01-1	135246-0	DUST BOX ASSEMBLY	S	1				
C10	232246-2	LEAF SPRING		2				
C20	424144-6	RUBBER SLEEVE		1				
C30	450769-0	DUST NOZZLE		1				

