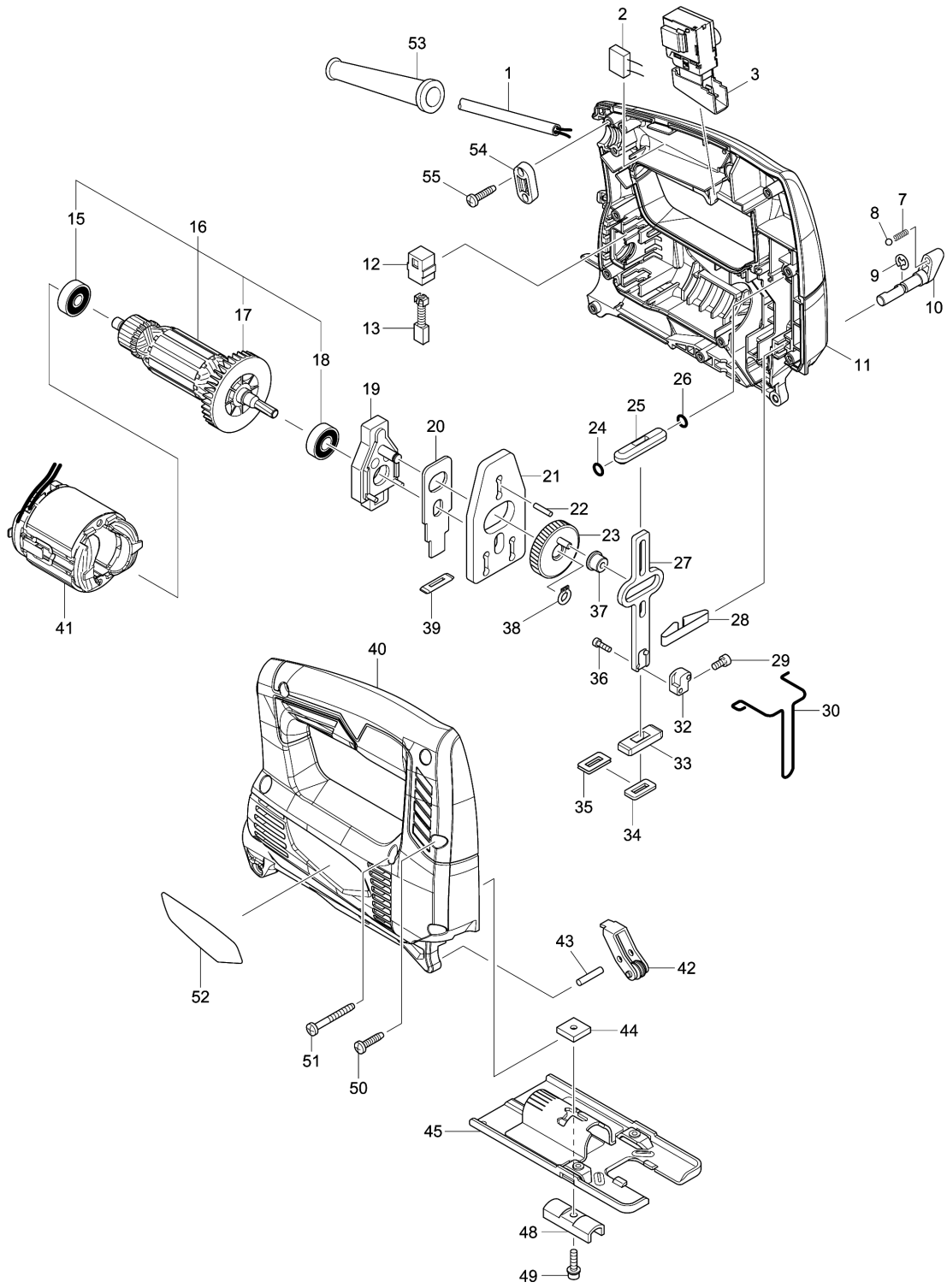


Model No.M4301 JIG SAW



Model No.M4301 JIG SAW

Item	Parts No.	Description	I/C	Qty	New/Old	Opt. 1	Opt. 2	Note
001	665383-1	POWER SUPPLY CORD 1.0-2-2.0		1	*			
001-1	695556-2	POWER SUPPLY CORD 1.0-2-2.0	O	1	*			
001-2	665383-1	POWER SUPPLY CORD 1.0-2-2.0	O	1				
002	645239-4	NOISE SUPPRESSOR		1				
003	650633-7	SWITCH DGQ-1104H-03		1				
007	233151-6	COMPRESSION SPRING 4		1				
008	216008-6	STEEL BALL 4		1				
009	961011-9	STOP RING E-4		1				
010	272267-2	LEVER 19		1				
011	183E28-4	HOUSING SET		1				
C10	263002-9	RUBBER PIN 4		2				
D10		INC. 40						
012	643552-4	BRUSH HOLDER 5-8		2				
013	191627-8	CARBON BRUSH CB-64		1				
015	210030-5	BALL BEARING 627ZZ		1				
016	510187-5	ARMATURE ASSEMBLY 220V		1	*			
D10		INC. 15,17,18			*			
016-1	510410-8	ARMATURE ASS'Y 220V	O	1				
D10		INC. 15,17,18						
017	241881-5	FAN 52		1				
018	210044-4	BALL BEARING 608DDW		1	*			
018-1	210200-6	BALL BEARING 608DDW	O	1				
019	152600-3	BEARING CASE COMPLETE		1				
020	344683-9	PUSH PLATE		1				
021	344614-8	BALANCE PLATE		1				
022	256254-9	PIN 3		1				
023	153260-4	GEAR COMPLETE		1				
024	213038-8	O RING 5		1				
025	313082-6	SLIDER GUIDE		1				
026	213038-8	O RING 5		1				
027	344613-0	SLIDER		1				
028	232183-0	LEAF SPRING		1				
029	922107-1	HEX. SOCKET HEAD BOLT M4X8		1				
030	323748-0	SAFETY WIRE		1				
032	313140-8	BLADE CLAMP		1				
033	313086-8	SLIDER SUPPORT		1				
034	423307-1	POLY URETANE SPONGE SEAL		1				
035	344686-3	SEAL PLATE		1				
036	266177-3	HEX. SOCKET HEAD BOLT M3X10		2				
037	257683-9	COLLAR SLEEVE		1				

Please order the parts with part number.

Print Date 31/3/2020

Model No.M4301 JIG SAW

Item	Parts No.	Description	I/C	Qty	New/Old	Opt. 1	Opt. 2	Note
038	961002-0	RETAINING RING S-6		1				
039	416703-0	DUST SEAL		1				
040	183E28-4	HOUSING SET		1				
C10	263002-9	RUBBER PIN 4		2				
D10		INC. 11						
041	633733-8	FIELD 220-240V		1				
042	158392-2	RETAINER COMPLETE		1				
043	256117-9	PIN 4		1				
044	343540-8	HOLDER		1				
045	163397-9	BASE		1				
048	344685-5	CLAMP PLATE		1	*			
048-1	344685-5	CLAMP PLATE	O	1				
049	922128-3	HEX. SOCKET HEAD BOLT M4X16		1				
050	265995-6	TAPPING SCREW 4X18		9				
051	266351-3	TAPPING SCREW 4X35		1				
052	852A95-3	M4301 NAME PLATE		1				
053	682569-2	CORD GUARD 8-85		1				
054	687124-5	STRAIN RELIEF		1				
055	265995-6	TAPPING SCREW 4X18		2				
A01	783201-2	HEX. WRENCH 3		1				
A02	A-85628	JIGSAW BLADE NO.B10		1				

Please order the parts with part number.

Print Date 31/3/2020