

Hybrid™ 6'x4'

Approx. Dim.

126L x 185W x 208H cm / 49.6L" x 72.8W" x 81.9H"



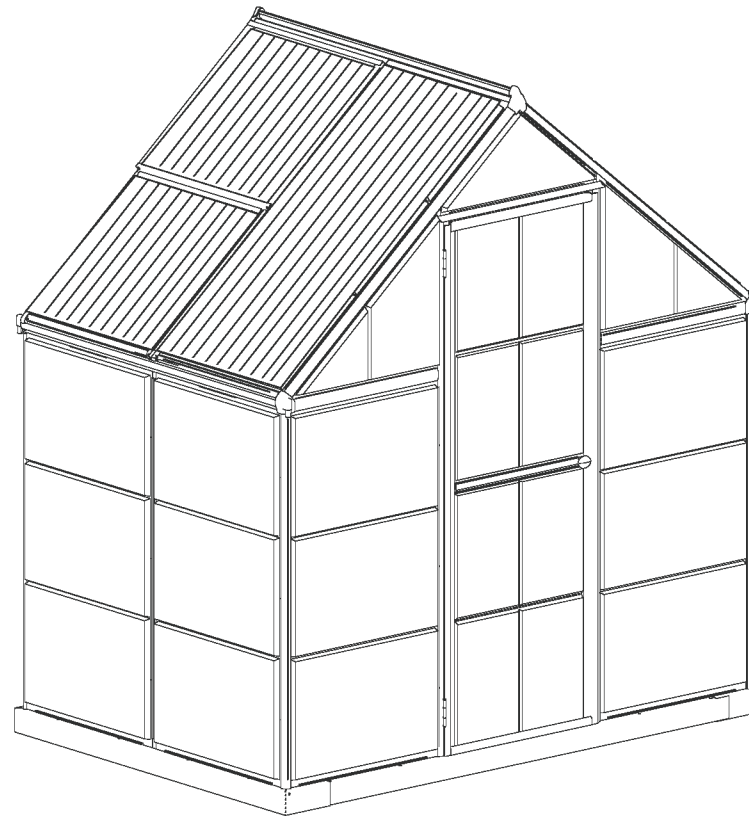
Snow Load

75kg/m²
15.4lbs/ft²



Wind Resistant

75km/hr
47mi/hr





After Sale Service



customer.service@palram.com



USA ----- 877-627-8476

England ----- 01302-380775

France ----- 0169-791-094

Germany ----- 0180-522-8778

International ----- +972 4-848-6816

IMPORTANT

Please read these instructions carefully before you start to assemble this greenhouse.
Keep these instructions in a safe place for future reference.

» Customer Service

For assistance with assembly or for replacement parts – please log onto our website or call our service line (number is on the title page).

Additional information can be found at our website: www.palramapplications.com

» Safety Advice

- It is of utmost importance to assemble all of the parts according to the directions. Do not skip any step.
- We strongly recommend using work gloves during assembly.
- Always wear shoes and safety goggles when working with extruded aluminium.
- If using a step ladder or power tools ensure that you follow the manufacturer's safety advice.
- Do not touch overhead power cables with the aluminium profiles.
- Do not attempt to assemble the greenhouse in windy or wet conditions.
- Dispose of all plastic bags. Keep them out of reach of small children.
- Keep children away from the assembly area.
- Do not lean against or push the greenhouse during construction.
- Do not position your greenhouse in an area exposed to excessive wind.
- Do not attempt to assemble this greenhouse if you are tired, have taken drugs or alcohol or if you are prone to dizzy spells.
- Hot items such as recently used grills, blowtorches etc. must not be stored in the greenhouse. Ensure there are no hidden pipes or cables in the ground before inserting the pegs.
- This product is designed to be used mainly as a greenhouse.

» Care & Maintenance

When your greenhouse needs to be cleaned, use a mild detergent solution and rinse with cold clean water. DO NOT use acetone, abrasive cleaners or other special detergents to clean the clear panels. It is recommended to check periodically that roof panels caps (plastic part 329 & profile 981) are set in place.

» Tools & Equipment

- Tape measure
- Work gloves
- Silicone spray / Lubricant
- Phillips head screwdriver
- Leveler
- Rubber mallet
- Adjustable Spanner / Wrench
- T001 - Special tool for Screws 411 and nuts 412



» Before Assembly

- ☑ Selecting a site:
 - The greenhouse must be positioned and fixed on a flat level surface.
 - Choose a sunny position away from overhanging trees.
- ☑ We strongly recommend this greenhouse being secured directly to a solid concrete foundation. When doing that use the pre drilled holes in the metal base.
- ☑ This is a multi-part assembly best achieved by two people. Allow at least a half a day for the assembly process.
- ☑ Take all components & parts out of the packages. Sort the parts and check against the contents parts list.

Parts should be laid out close at hand. Keep all small parts (screws etc.) in a bowl so they do not get lost.
- ☑ Please note multi-sided profiles are used in this greenhouse. As a result some holes in the profiles are not used during assembly.
- ☑ Please review entire instructions before starting. Carry out the assembly steps in exact order.

» Notes During Assembly

- You may use Silicon lubricant spray in order to help you slide the panels into the profiles.
- Do not spray the Polycarbonate panels.
- Use a rubber mallet if necessary.

i During assembly you will encounter the information icon, please refer to the relevant assembly step for additional comments and assistance.

Step 5: Part 994, 995 are in the back of the greenhouse. Attaching them determines the front side of the greenhouse.

Steps 8, 11: The oval hole in the crossbars 256 should always be assembled to the base of the greenhouse.

Step 9 Door Assembly: Determines door direction. Part 987 is the side that the door hinges will be located. The door can be installed either as a left or right hand door. These instructions show a right hand door assembly.

Window Assembly

Step 29: Decide on the window's location before assembly. Window can be installed in one of the indicated options.

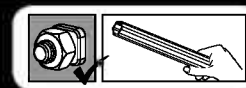
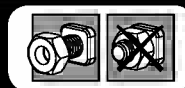
Step 43: In case the window doesn't closed properly, please release the screws, adjust the profile and tighten the screw.

! Important Recommendations

- **Firmly connect the greenhouse to a level position immediately after completion of the assembly.**
- **In order to anchor the greenhouse use the designated manufacturer anchoring kit.**
- **Anchoring the greenhouse can also be done by drilling the base profiles and fastening it to the ground using ground screws or spikes (screws and spikes are not supplied).**
- **Tighten all screws once assembly is completed.**
- **Please note: Anchoring this product to the ground is essential to its stability and rigidity. It is required to complete this stage in order for your warranty to be valid.**

Screws 411 and nuts 412 are used throughout the assembly process.

- Screws 411 are to be assembled from the outside and nuts 412 from the inside of the greenhouse.
- Do not fasten screws and nuts (411 & 412) more than 23- turns only. Do not tighten them until completion of the panels' assembly, if not specified otherwise.
- However, in some steps, temporary tightening of a few screws may be needed to prevent a profile from falling.



412



411



IMPORTANT

Please read these instructions carefully before you start to assemble this greenhouse.
Keep these instructions in a safe place for future reference.

» Customer Service

For assistance with assembly or for replacement parts – please log onto our website or call our service line (number is on the title page).

Additional information can be found at our website: www.palramapplications.com

» Safety Advice

- It is of utmost importance to assemble all of the parts according to the directions. Do not skip any step.
- We strongly recommend using work gloves during assembly.
- Always wear shoes and safety goggles when working with extruded aluminium.
- If using a step ladder or power tools ensure that you follow the manufacturer's safety advice.
- Do not touch overhead power cables with the aluminium profiles.
- Do not attempt to assemble the greenhouse in windy or wet conditions.
- Dispose of all plastic bags. Keep them out of reach of small children.
- Keep children away from the assembly area.
- Do not lean against or push the greenhouse during construction.
- Do not position your greenhouse in an area exposed to excessive wind.
- Do not attempt to assemble this greenhouse if you are tired, have taken drugs or alcohol or if you are prone to dizzy spells.
- Hot items such as recently used grills, blowtorches etc. must not be stored in the greenhouse. Ensure there are no hidden pipes or cables in the ground before inserting the pegs.
- This product is designed to be used mainly as a greenhouse.

» Care & Maintenance

When your greenhouse needs to be cleaned, use a mild detergent solution and rinse with cold clean water. DO NOT use acetone, abrasive cleaners or other special detergents to clean the clear panels. It is recommended to check periodically that roof panels caps (plastic part 329 & profile 981) are set in place.

» Tools & Equipment

- Tape measure
- Work gloves
- Silicone spray / Lubricant
- Phillips head screwdriver
- Leveler
- Rubber mallet
- Adjustable Spanner / Wrench
- T001 - Special tool for Screws 411 and nuts 412



» Before Assembly

- ☑ Selecting a site:
 - The greenhouse must be positioned and fixed on a flat level surface.
 - Choose a sunny position away from overhanging trees.
- ☑ We strongly recommend this greenhouse being secured directly to a solid concrete foundation. When doing that use the pre drilled holes in the metal base.
- ☑ This is a multi-part assembly best achieved by two people. Allow at least a half a day for the assembly process.
- ☑ Take all components & parts out of the packages. Sort the parts and check against the contents parts list.
 - Parts should be laid out close at hand.
 - Keep all small parts (screws etc.) in a bowl so they do not get lost.
- ☑ Please note multi-sided profiles are used in this greenhouse. As a result some holes in the profiles are not used during assembly.
- ☑ Please review entire instructions before starting. Carry out the assembly steps in exact order.

» Notes During Assembly

- You may use Silicon lubricant spray in order to help you slide the panels into the profiles.
- Do not spray the Polycarbonate panels.
- Use a rubber mallet if necessary.

i During assembly you will encounter the information icon, please refer to the relevant assembly step for additional comments and assistance.

Step 5: Part **994, 995** are in the back of the greenhouse. Attaching them determines the front side of the greenhouse.

Steps 8, 11: The oval hole in the crossbars **256** should always be assembled to the base of the greenhouse.

Step 9 Door Assembly: Determines door direction. Part **987** is the side that the door hinges will be located. The door can be installed either as a left or right hand door. These instructions show a right hand door assembly.

Window Assembly

Step 29: Decide on the window's location before assembly. Window can be installed in one of the indicated options.

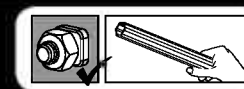
Step 43: In case the window doesn't closed properly, please release the screws, adjust the profile and tighten the screw.

! Important Recommendations

- **Firmly connect the greenhouse to a level position immediately after completion of the assembly.**
- **In order to anchor the greenhouse use the designated manufacturer anchoring kit.**
- **Anchoring the greenhouse can also be done by drilling the base profiles and fastening it to the ground using ground screws or spikes (screws and spikes are not supplied).**
- **Tighten all screws once assembly is completed.**
- **Please note: Anchoring this product to the ground is essential to its stability and rigidity. It is required to complete this stage in order for your warranty to be valid.**

Screws 411 and nuts 412 are used throughout the assembly process.

- Screws 411 are to be assembled from the outside and nuts 412 from the inside of the greenhouse.
- Do not fasten screws and nuts (411 & 412) more than 23- turns only. Do not tighten them until completion of the panels' assembly, if not specified otherwise.
- However, in some steps, temporary tightening of a few screws may be needed to prevent a profile from falling.



412



411



IMPORTANT !

Veuillez lire attentivement ces instructions avant de commencer à monter votre serre. Conservez ces instructions en lieu sûr pour toute consultation ultérieure.

» Service clientèle

Pour toute assistance concernant le montage de la serre ou ses pièces de rechange – veuillez consulter notre site Internet ou appeler notre service technique (dont le numéro de téléphone figure sur la couverture de la brochure). Pour en savoir plus, n'hésitez pas à visiter notre site Internet : www.palramapplications.com

» Consignes de sécurité

- Très important ! Veuillez suivre scrupuleusement les instructions de cette brochure et réaliser les étapes dans l'ordre énoncé.
- Nous recommandons vivement le port de gants de protection pendant le montage.
- Portez toujours des chaussures de travail et des lunettes de protection lorsque vous travaillez des pièces en aluminium extrudé.
- Lors de l'utilisation d'une échelle ou d'outils électriques, assurez-vous de bien suivre les consignes de sécurité du fabricant.
- Veillez à ne pas toucher de câbles aériens avec les profilés en aluminium.
- N'essayez pas de monter la serre s'il y a du vent ou s'il fait humide.
- Jetez tous les sacs en plastique en appliquant les règles de sécurité et maintenez-les hors de portée des jeunes enfants.
- Eloignez les enfants de la zone d'assemblage.
- Ne vous appuyez pas contre la serre et ne la poussez pas pendant le montage.
- Ne positionnez pas la serre dans un endroit trop exposé au vent.
- N'essayez pas de monter la serre si vous êtes fatigué, si vous êtes sous l'effet de drogues, de médicaments ou d'alcool ou encore si vous êtes sujet aux vertiges.
- Les objets chauds tels qu'un barbecue, un chalumeau ou autre article ayant été récemment utilisés, ne doivent pas être rangés dans la serre.
- Avant de planter les piquets, assurez-vous qu'aucun tuyau ni câble n'est enterré à l'endroit sélectionné pour l'installation.
- Ce produit a été conçu pour être principalement utilisé comme serre.

» Entretien & Maintenance

Pour nettoyer votre serre, utilisez une solution détergente douce et rincez à l'eau claire et froide. NE PAS utiliser d'acétone ni de produits nettoyants ou autres détergents spéciaux pour nettoyer les panneaux clairs. Il est recommandé de vérifier régulièrement que les couvre-joints des panneaux du toit sont bien en place (pièces en plastique 329 & profilé 981).

» Outils & Equipement (non fournis)

- Mètre (ruban)
- Gants de travail
- Spray silicone / Lubrifiant
- Tournevis cruciforme (Philips)
- Nivellement
- Maillet en caoutchouc
- Clé à molette/anglaise
- T001 – outil spécial pour vis 411 et écrous 412



» Avant le montage

- ☑ Choisir un endroit :
 - La serre doit être positionnée et fixée sur une surface plane et horizontale.
 - Choisissez un endroit ensoleillé loin des arbres en saillie.
- ☑ Nous vous recommandons fortement de sécuriser cette serre directement à une fondation en béton solide. Utilisez les trous pré-perçés dans la base métallique au moment de le faire.
- ☑ Il s'agit d'un assemblage multi parties qu'il vaut mieux réaliser à deux. Comptez au moins une demi journée pour le processus de montage.
- ☑ Retirez tous les composants des paquets. Triez les éléments et vérifiez la liste. Les éléments doivent se trouver à portée de main. Gardez tous les petits éléments (vis etc.) dans un bol pour ne pas les perdre.
- ☑ Veuillez noter que des coupes multi faces sont utilisées dans cette serre. C'est pourquoi certains trous dans les coupes ne sont pas utilisés pendant le montage.
- ☑ Veuillez vérifier toutes les instructions avant de commencer. Procédez aux étapes de montage dans l'ordre exact.

» Notes pendant le montage

- Utilisez le spray lubrifiant silicone pour vous aider à faire glisser les panneaux dans les coupes.
- Ne pulvériser pas les panneaux en polycarbonate.
- Utilisez un maillet en caoutchouc si besoin.

Les vis 411 et écrous 412 servent tout au long de la procédure.

- Les vis 411 se placent à l'extérieur et les écrous 412 à l'intérieur de la serre.
- Ne serrez les vis et écrous (411 & 412) que de 2 à 3 tours, pas plus. Ne les serrez pas tant que l'assemblage n'est pas complètement terminé, sauf indication contraire.
- Cependant, la réalisation de certaines étapes peut nécessiter le serrage provisoire de quelques vis pour empêcher un profilé de tomber en attendant qu'il soit entièrement intégré à l'ensemble de la structure dans les étapes suivantes.



Pendant le montage, vous verrez l'icône d'information, veuillez-vous référer à la phase de montage correspondante pendant des commentaires et une assistance supplémentaires.

Etape 5 : Les parties 994, 995 sont à l'arrière de la serre. Les attacher détermine le devant de la serre.

Etape 8, 11 : Le trou ovale dans les barres fixes 256 doit toujours être monté à la base de la serre.

Etape 9 Montage de la porte : Déterminez la direction de la porte. La partie 987 est le côté où les charnières de porte seront situées. La porte peut être installée de manière à s'ouvrir sur la droite ou sur la gauche. Ces instructions montrent un montage correct de la porte.

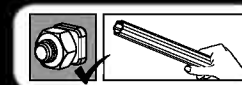
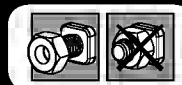
Montage de la fenêtre

Etape 29 : Choisissez l'emplacement de la fenêtre avant le montage. La fenêtre peut être assemblée dans l'une des options indiquées.

Etape 43 : Au cas où la fenêtre ne ferme pas correctement, veuillez relâcher les vis, ajustez la coupe et serrez les vis.

**Recommandations importantes**

- **Immédiatement après avoir terminé l'assemblage, fixez solidement la serre en position finale, parfaitement horizontale.**
- **Utilisez le kit de fixation du fabricant pour fixer la serre.**
- **Fixer la serre peut également être effectué en perçant les coupes de base et en la fixant au sol en utilisant des vis de terre (vis non fournies).**
- **Serrez toutes les vis après avoir achevé l'assemblage.**
- **Veuillez noter : cette étape d'ancrage du produit au sol est essentielle à sa stabilité et à sa rigidité, elle est de plus nécessaire pour assurer la validité de votre garantie.**



412



411



IMPORTANTE

Si invita a leggere attentamente le seguenti istruzioni prima di iniziare il montaggio della serra. Conservare queste istruzioni in luogo sicuro per futuro riferimento.

» Servizio Assistenza Clienti:

Per assistenza nel montaggio o nelle parti di ricambio – si invita a visitare il nostro sito web o a chiamare la nostra linea di servizio (il numero si trova sulla pagina principale). Ulteriori informazioni sono reperibili sul nostro sito web: www.palamapplications.com

» Nota sulla sicurezza

- È di grande importanza montare le parti secondo le direttive. Non omettere alcuna fase.
- Raccomandiamo caldamente l'uso dei guanti di lavoro durante i lavori di montaggio.
- Indossare sempre scarpe ed occhiali di sicurezza nel maneggiare i profili di alluminio estruso.
- Usando una scala a pioli o utensili elettrici da lavoro, assicurarsi di seguire le disposizioni di sicurezza fornite dal produttore.
- Non toccare cavi elettrici con i profili d'alluminio.
- Non tentare di montare la serra in condizioni atmosferiche ventose o umide.
- Eliminare in modo sicuro tutti i sacchetti di plastica – conservarli fuori della portata dei bambini.
- Tenere i bambini a distanza dall'area di montaggio.
- Non appoggiarsi o spingere la serra durante la sua costruzione.
- Non posizionare la serra in un'area troppo esposta al vento.
- Non tentare di montare la serra in condizioni di stanchezza, dopo aver fatto uso di stupefacenti o alcolici o se si è soggetti ad avere capogiri.
- Oggetti roventi quali griglie o bruciatori per saldature usati di recente ecc., non devono essere introdotti nella serra. Verificare che non vi siano tubi o cavi elettrici sotterranei prima di conficcare i paletti.
- Prodotto progettato per uso prevalente come serra.

» Cura e manutenzione

Quando la serra deve essere pulita, usare una soluzione detergente neutra e sciacquare con acqua fredda pulita. NON usare acetone, materiali abrasivi o altri detergenti speciali per la pulizia dei pannelli trasparenti. È raccomandabile verificare periodicamente che i coperchi dei pannelli del tetto (parti in plastica 329 e profilo 981) siano montati al loro posto.

» Utensili ed Attrezzature

- Metro
- Guanti da lavoro
- Lubrificante / Spray al silicone
- Cacciavite con punta a croce
- Livellatore
- Martello di gomma
- Chiave regolabile/Chiave inglese
- T001 - Utensile speciale per viti 411 e dadi 412



» Prima del Montaggio

- ☑ Seleziona un sito:
 - La serra deve essere posizionata e fissata su una superficie piana.
 - Scegli una posizione soleggiata lontano dagli alberi sovrastanti.
- ☑ Si consiglia vivamente di fissare questa serra direttamente ad una solida base di cemento. Quando lo fai usa i fori preforati presenti nella base in metallo.
- ☑ Questo è un montaggio multi-parte che può essere eseguito meglio da due persone. Bisogna utilizzare almeno una mezza giornata per l'intero processo di montaggio.
- ☑ Estrai tutte le parti dei componenti presenti nei pacchetti. Ordina le parti e controllale tramite l'elenco che mostra tutte le parti. Le parti devono essere a portata di mano.

Metti tutte le parti piccole (viti, ecc) in una ciotola in modo che non si perdano.
- ☑ Considera che in questa serra vengono utilizzati dei profili multi-lato. Per questo motivo alcuni fori nei profili non vengono utilizzati durante il montaggio.
- ☑ Leggi tutte le istruzioni prima di iniziare. Esegui le fasi di montaggio nell'ordine esatto.

» Note durante il Montaggio

- Puoi utilizzare lo spray lubrificante al Silicone per aiutare i pannelli a scorrere nei profili.
- Non spruzzare sui pannelli in policarbonato.
- Usa un martello di gomma, se necessario.

- Le viti 411 ed i dadi 412 sono usati in tutto il processo di montaggio.
- Le viti 411 devono essere inserite dall'esterno ed i dadi 412 dall'interno della serra.
- Non serrare le viti ed i dadi (411 e 412) più di 2-3 giri. Non serrare fino a montaggio completato dei pannelli, se non stabilito diversamente.
- Considera che, in alcune fasi, può essere necessario bloccare alcune viti per impedire ad un profilo di cadere.

i Durante il montaggio troverai l'icona delle informazioni. Ti preghiamo di far riferimento al passp di montaggio relativo per commenti e assistenza aggiuntivi.

Passo 5: Fase 5: Le parti **994, 995** sono nella parte posteriore della serra. Piazzandole scegli il lato anteriore della serra.

Fase 8, 11: il foro ovale della traversa **256** deve sempre essere montato alla base della serra.

Fase 9 Montaggio della porta: Scegli la direzione della porta. La Parte **987** è il lato nel quale si trovano le cerniere. La porta può essere installata sia come porta di sinistra che di destra. Queste istruzioni mostrano la porta montata sul lato destro.

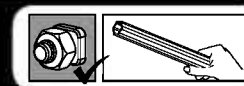
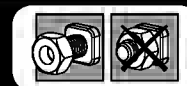
Per montare la finestra

Fase 29: Decidi la posizione della finestra prima del montaggio. La finestra può essere installata secondo una delle opzioni indicate.

Fase 43: Nel caso in cui la finestra non si chiuda correttamente, svita le viti, regola il profilo e avvita la vite.

! Raccomandazioni importanti

- **Collega saldamente la serra ad una posizione immediatamente dopo il completamento del montaggio.**
- **Per ancorare la serra usa il kit di ancoraggio progettato dal produttore.**
- **L'ancoraggio della serra può essere effettuato anche mediante la foratura dei profili della base e poi fissandola al suolo con delle viti (le viti non sono in dotazione).**
- **Serrare tutte le viti al momento di compilare il montaggio.**
- **Nota bene: il fissaggio di questo prodotto a terra è essenziale per ottenere stabilità e rigidità. Affinché la garanzia sia valida è necessario completare questo passaggio.**



412



411



IMPORTANTE

Por favor, lea estas instrucciones cuidadosamente antes de empezar a montar este invernadero.

Mantenga estas instrucciones en un lugar seguro para referencia futura.

» Servicio de Ayuda al Cliente

Para obtener ayuda con el montaje o para las piezas de recambio - por favor entre a nuestro sitio web o llame a nuestra línea de servicio (el número está en la página de título).

Información adicional se puede encontrar en nuestro sitio web:
www.palramapplications.com

» Consejo de Seguridad

- Es de suma importancia montar todas las partes de acuerdo con las instrucciones. No se salte ningún paso.
- Recomendamos firmemente el uso de guantes de trabajo durante el montaje.
- Use siempre zapatos y gafas de seguridad al trabajar con aluminio extruido.
- Al usar una escalera plegable o herramientas eléctricas asegúrese de que sigue las instrucciones de seguridad de los fabricantes.
- No toque los cables eléctricos aéreos con los perfiles de aluminio.
- No intente montar el invernadero en días de viento o días con humedad.
- Disponga todas las bolsas plásticas en lugar seguro - guárdelas fuera del alcance de niños.
- Mantenga a los niños fuera del área de montaje.
- No se apoye ni empuje el invernadero durante la construcción.
- No coloque su invernadero en un área expuesta al viento excesivo.
- No intente montar este invernadero si usted está cansado, ha tomado drogas o alcohol o si usted es propenso a ataques de mareo.
- Artículos calientes recientemente usados tales como parrillas, sopletes etc. no deben ser almacenados en el invernadero. Asegúrese de que no haya ninguna tubería o cables ocultos en la tierra antes de insertar las clavijas.
- Este producto fue diseñado para ser utilizado principalmente como un invernadero.

» Cuidados & Mantenimiento

Cuando su invernadero necesite limpieza, utilice una solución detergente suave y enjuague con agua limpia fría. NO UTILICE acetona, limpiadores abrasivos u otros detergentes especiales para limpiar los paneles. Se recomienda comprobar periódicamente que los paneles del techo>taponos (parte de plástico 329 y perfil 981) están colocados en el lugar.

» Herramientas & Equipos

- Escalera plegable
- Llave inglesa ajustable/Llave inglesa
- Cinta métrica
- Nivelador
- Guantes de trabajo
- Martillo grande
- Lubricante
- Llave inglesa
- T001 – Herramienta especial para Tornillos 411 y Tuercas 412

**» Antes del Montaje**

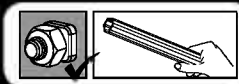
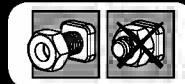
- ✓ Seleccionar un lugar:
 - El invernadero debe colocarse y fijarse en una superficie plana y nivelada.
 - Escoja una ubicación soleada y apartada de árboles que la cubran.
- ✓ Recomendamos encarecidamente que el invernadero se fije directamente sobre cimientos de cemento sólido. Para hacer esto, utilice los agujeros previamente taladrados en la base de metal.
- ✓ Este montaje consta de varias partes y sería óptimo que lo realizaran dos personas. El proceso de montaje llevará alrededor de medio día.
- ✓ Extraiga todas las piezas de componentes de sus embalajes. Ordene las piezas y compruebe que están todas usando la lista de contenidos. Las piezas deberían colocarse cerca y tenerlas a mano. Ponga las piezas pequeñas (p. ej. tornillos) en un bol para no perderlas.
- ✓ Por favor, tenga en cuenta que este invernadero incluye perfiles con múltiples superficies. Como resultado, algunos de los agujeros de los perfiles no se utilizan durante el montaje.
- ✓ Por favor, revise todas las instrucciones antes de empezar. Siga los pasos del montaje en el orden exacto.

» Notas durante el montaje

- Puede utilizar spray lubricante de silicona para ayudarlo a deslizar los paneles en los perfiles.
- No aplique spray sobre los paneles de policarbonato.
- Utilice un mazo de goma si es necesario.

Los tornillos 411 y las tuercas 412 son usados durante todo el proceso de montaje.

- Los tornillos 411 deben ser montados desde el exterior y las tuercas 412 desde el interior del invernadero.
- No apriete los tornillos y tuercas (411 y 412) más de 23- vueltas. No los apriete hasta terminar el montaje de los paneles, a menos que orientado de otra manera.
- Sin embargo, en algún paso puede ser necesario apretar de forma temporal algunos tornillos para evitar que se caiga un perfil.



Cuando vea el icono de información, por favor, acuda al paso de montaje correspondiente para ver comentarios y asistencia adicional.

Paso 5: las piezas **994** y **995** están en la parte trasera del invernadero. Al unir las se establece la parte frontal del invernadero.

Pasos 8, 11: el agujero oval en las vigas **256** debería ajustarse siempre a la base del invernadero.

Paso 9, montaje de la puerta: determina la dirección de la puerta. La pieza **987** es la parte donde se colocarán las bisagras de la puerta. La puerta puede instalarse para abrirse tanto a la derecha como a la izquierda. Estas instrucciones muestran una instalación de puerta que abre a la derecha.

Montaje de ventana

Paso 29: decida la ubicación de la ventana antes del montaje. La ventana puede instalarse en una de las opciones indicadas.

Paso 43: en el caso de que la ventana no cierre adecuadamente, por favor, extraiga los tornillos, ajuste el perfil y apriete los tornillos.

**Recomendaciones importantes**

- **Ajuste firmemente el invernadero en una posición nivelada inmediatamente después de completar su montaje.**
- **Para anclar el invernadero, utilice el kit de anclaje indicado por el fabricante.**
- **También puede anclar el invernadero taladrando los perfiles de la base y atándolo al suelo mediante tornillos de tierra o estacas (tornillos y estacas no incluidos).**
- **Apriete todos los tornillos de montaje al completar.**
- **Por favor, tenga en cuenta: Anclar este producto al suelo es esencial para su estabilidad y rigidez. Es necesario completar esta fase para que su garantía sea válida.**

WAŻNE!

Przed rozpoczęciem montażu zapoznaj się z niniejszą instrukcją i zachowaj ją do przyszłego użytku.

» Obsługa Klienta

W celu uzyskania dodatkowych informacji oraz w sprawie części zamiennych proszę odwiedzić naszą stronę www.palramapplications.com albo skontaktuj się z naszą telefoniczną linią serwisową podaną na dole strony.

» Zasady bezpieczeństwa

- Dokonuj montażu zgodnie z niniejszą instrukcją.
- Używaj rękawic ochronnych.
- Podczas pracy z profilami aluminiowymi używaj obuwia i okularów ochronnych.
- Stosuj się do zasad bezpieczeństwa producenta dotyczących narzędzi i innego sprzętu.
- Uważaj, aby profile aluminiowe nie stykały się z kablami ani przewodami elektrycznymi.
- Nie próbuj montować produktu podczas wiatru lub deszczu.
- Materiały, z których wykonano opakowanie, należy zutylizować zgodnie z obowiązującymi przepisami. Przechowuj torebki plastikowe w miejscu niedostępnym dla dzieci – ryzyko uduszenia.
- Dzieci powinny znajdować się w bezpiecznej odległości od miejsca pracy.
- Podczas montażu nie naciskaj na produkt ani się o niego nie opieraj.
- Nie umieszczaj produktu w miejscu, w którym będzie narażony na działanie silnego wiatru.
- Nigdy nie próbuj montować produktu w przypadku zmęczenia ani pod wpływem narkotyków, alkoholu czy leków.
- Nigdy nie przechowuj w szklarni gorących przedmiotów. Zanim wbijesz kotwy, upewnij się, że w podłożu nie ma ukrytych rur ani kabli.
- Ten produkt został zaprojektowany do wykorzystania głównie jako szklarnia.

» Konserwacja i pielęgnacja

Czyść produkt delikatnym środkiem czyszczącym i spłukuj zimną wodą. Do mycia przezroczystych części nie używaj acetonu, ściernych środków czyszczących ani innych substancji chemicznych. Regularnie sprawdzaj, czy plastikowe osłony panelu dachowego (plastikowy element 329 i profil 981) są prawidłowo zamontowane.

» Narzędzia

- Taśma miernicza
- Rękawice
- Poziomica
- Śrubokręt krzyżakowy
- Rozpylacz silikonowy / Środek smarujący
- Regulowany klucz nastawny / nasadowy
- Gumowy młotek
- T001 – narzędzie specjalne do śruby 411 i nakrętki 412

**» Przed montażem**

- ☑ Wybierz miejsce:
 - Ciepłarnia musi być umieszczona i umocowana na płaskiej i równej powierzchni.
 - Wybierz słoneczne miejsce z dala od rzucających cień drzew.
- ☑ Szczególnie zalecamy umocowanie tej ciepłarni bezpośrednio na jednolitej, betonowej podstawie. W przypadku tego rodzaju mocowania należy skorzystać z wcześniej wywierconych otworów w metalowej podstawie.
- ☑ Montaż składa się z wielu elementów, zaleca się zatem, by przeprowadziły go dwie osoby. Na montaż należy przeznaczyć przynajmniej pół dnia.
- ☑ Wyjmij wszystkie elementy z opakowań. Posortuj je i porównaj z listą zawartości. Elementy powinny być umieszczone w zasięgu ręki. Umieść wszystkie małe elementy (śrubki itp.) w misce, aby się nie zgubiły.
- ☑ Proszę pamiętać, że w tej ciepłarni wykorzystywane są wielokształtne profile. W wyniku tego niektóre otwory w profilach nie są wykorzystywane podczas montażu.
- ☑ Przed rozpoczęciem proszę zapoznać się z całą instrukcją obsługi. Postępuj zgodnie z instrukcjami w tej samej kolejności.

» Notatki — podczas montażu

- Można użyć smaru silikonowego w rozpylaczu w celu umożliwienia łatwiejszego wsuwania paneli do profili.
- Nie rozpylać na panele poliwęglanowe.
- Jeśli to konieczne, użyć gumowego młotka.

i Podczas montażu możesz natrafić na ikonę informacyjną. Proszę zapoznać się z odpowiednimi instrukcjami, gdyż znajdują się tam dodatkowe komentarze i pomoc.

Krok 5: Elementy **994 i 995** znajdują się z tyłu ciepłarni. Ich montaż określa przód ciepłarni.

Kroki 8, 11: Owalny otwór na poprzeczkach **256** zawsze powinien być zamontowany w podstawie ciepłarni.

Krok 9 Montaż drzwi: Określa kierunek otwierania się drzwi. Element nr **987** to bok, na którym będą umieszczone zawiasy drzwi. Drzwi mogą być zamontowane, by otwierać się albo z lewej, albo z prawej strony. Niniejsza instrukcja przedstawia montaż drzwi otwieranych z prawej strony.

Montaż okna

Krok 29: Przed montażem należy zdecydować, gdzie umieścić okno. Okno może być zainstalowane w jednym ze wskazanych możliwych miejsc.

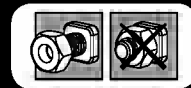
Krok 43: Jeśli okno nie zamyka się prawidłowo, proszę poluzować śrubki, wyregulować profil, po czym dokręcić śrubki.

! Ważne zalecenia

- **Pewnie umocuj ciepłarnię w równej pozycji natychmiast po zakończeniu montażu**
- **Do zakotwiczenia ciepłarni użyj wyznaczonego przez producenta zestawu kotwiczącego**
- **Ciepłarnia może być zakotwiczona także przez przewiercenie profili podstawy i przymocowanie jej do podłoża przy użyciu wkrętów uziemiających (wkręty nie należą do zestawu).**
- **Dokręć wszystkie śruby po zakończeniu montażu.**
- **Proszę pamiętać, że przymocowanie tego produktu do ziemi jest kluczowe dla jego stabilności i sżywności. Aby Państwa gwarancja zachowała ważność, wymagane jest wykonanie tego etapu.**

Śruba 411 i nakrętka 412 używane są na wielu etapach montażu.

- Śruba 411 powinna być włożona od zewnątrz, a nakrętka 412 od wewnątrz.
- Nie dokręcaj śruby 411 i nakrętki 412 o więcej niż 23- obroty. Jeżeli nie podano inaczej, nie należy ich dokręcać, dopóki wszystkie panele nie zostaną zamontowane.
- Podczas wykonywania niektórych etapów montażu konieczne może okazać się czasowe mocne dokręcenie kilku śrub w celu uniknięcia zapadnięcia się rusztowania.



412



411



TÄRKEÄÄ

Lue ensin huolellisesti nämä ohjeet ennen kasvihuoneen asentamista ..
Säilytä nämä ohjeet turvassa vastaisuuden varalta

» Asiakas palvelu

Jos tarvitset apua / neuvoja asennukseen tai osien vaihtoon – käänny meidän kotisivujen, sähköpostin puoleen tai soita jälkimarkkinointiimme (tiedot löytyvät kansilehdestä).

Lisäinformaatiota löydät valmistajan sivuilta www.palramapplications.com

» Turvallisuus ohje

- Ensisijaisen tärkeää on noudattaa asennusohjeen järjestystä ja ohjeita – älä jätä mitään tekemättä.
- Suosittelemme suojakäsineiden käyttöä asennustyössä.
- Käytä aina tukevia kenkiä ja suojalaseja työskennellessäsi metallituotteiden kanssa.
- Jos käytät tikkaita, apuvälineitä, akkuporakonetta - varmista aina myös työkalu valmistajan käyttöohjeet.
- Älä kosketa sähköjohtoja tai lähteitä metallisten esineiden kanssa.
- Älä yritä pystyttää / asentaa kasvihuonetta tuulisella, sateisella tai huonolla säällä.
- Hävitä huolellisesti kaikki muoviset pakkaustuotteet ja varmista ettei ne pääse pienten lasten lähetyville.
- Pidä lapset loitolla työskentely alueelta ja pidä myös alue aina siistinä.
- Älä työnnä tai nojaa kasvihuoneen rakenteisiin asennusvaiheen aikana.
- Valitse huolella kasvihuoneen sijainti, siten ettei se ole alttiina kovalle tuulelle tai ylimääräisille lumikuormille.
- Älä yritä asentaa tätä kasvihuonetta puolikuntoisena, väsyneenä, päihteiden taikka lääkityksen vaikutuksen alaisena.
- Kuumat tuotteet kuten grillit, polttotyökalut, terassilämmittimet tulee säilöä mualla kuin kasvihuoneessa. Varmista että maahankinnitys on turvallista ja ettei maaperässä ole putkia tai sähköjohtoja.
- Tämä tuote on suunniteltu käytettäväksi pääosin as kasvihuoneeksi.

» Huolto & ylläpito

Kun kasvihuoneesi kaippaa pesua & puhdistusta, käytä ainoastaan mietoa saippuavettä ja huuhtelee runsaalla kylmällä vedellä. **ÄLÄ KÄYTÄ** acetononia, liuottimia tai muita voimakkaita puhdistusaineita – ei myöskään mäntyöljypohjaisia aineita. On suositeltavaa että asennuksen kunto tarkistetaan säännöllisesti, kattolevyt > kiinnikkeet (muoviset osat 329 & profilit 981) ovat paikoillaan.

» Työkalut & Välineet

- Mittanauha
- Työkäsineet
- Liukastusaine
- Ristipää ruuvimeisseli
- Tasoitin
- Silikonisuihke
- Kumivasara
- Säädettävä ruuviavain / Jakoavain
- T001 (valmistajan tekemä erikoistyökalu, mukana toimituksessa)

**» Ennen kokoamista**

- ☑ Sijainnin valinta:
 - Kasvihuone tulee asettaa ja kiinnittää tasaiselle alustalle.
 - Valitse aurinkoinen paikka, jonka yllä ei roiku oksia.
- ☑ Suosittelemme, että tämä kasvihuone kiinnitetään suoraan kiinteään betonialustaan. Tällöin voit käyttää metallipohjaan valmiiksi ruuvattuja reikiä.
- ☑ Kokoaminen on moniosainen työ, jonka suorittaa parhaiten kaksi henkilöä. Varaa ainakin puoli päivää kokoamisprosessille.
- ☑ Ota kaikki osat ulos pakkauksistaan. Lajittele osat ja tarkista sisällysluettelosta, että ne ovat kaikki tallella. Osat tulee asetella käden ulottuville. Pidä pienet osat (ruuvit yms.) kulhossa, jotta ne eivät katoa.
- ☑ Huomaa, että tässä kasvihuoneessa käytetään monisivuisia tukirankoja, joten kaikkia niissä olevia reikiä ei käytetä kokoamiseen.
- ☑ Lue koko käyttöohje ennen aloittamista. Suorita kokoamisvaiheet tarkassa järjestyksessä.

» Huomioitavaa kokoamisen aikana

- Voit käyttää silikoniliukastesuihketta auttaaksesi levyjä liukumaan tukirankoihin.
- Älä suihkuta polykarbonaattilevyjen päälle.
- Tarvittaessa käytä kumivasaraa.
- **Kiinnitä kasvihuone tukevasti vaakasuoralle alustalle heti kokoamisen jälkeen.**
- **Käytä asianmukaista valmistajan ankkurointisarjaa kasvihuoneen ankkurointiin.**
- **Kasvihuone voidaan ankkuroida myös poraamalla reiät pohjaprofileihin ja kiinnittämällä profili maahan maaruuvein tai piikein (ruuvit ja piikit täytyy hankkia erikseen).**
- **Kiristä kaikki ruuvit täyttäessään kokoonpano.**
- ***Huomaa: tuotteen ankkurointi maahan on välttämätöntä sen vakauden ja jäykkyyden kannalta. Se vaaditaan tässä vaiheessa, jotta takuu olisi voimassa.**

i Asennuksen aikana tulet kohtaamaan tietokuvake katso asiaa kokoonpanoon askel lisäkommentteja ja apua.

Vaihe 5: Osat 994 ja 995 ovat kasvihuoneen takaosassa. Niiden kiinnittäminen määrää kasvihuoneen etuosan.

Vaiheet 8, 11: 256-poikkirautojen soikeat reiät tulee aina kiinnittää kasvihuoneen pohjaan.

Vaihe 9 Oven asennus: Määrää oven suunnan. Osa nro. 987 on se, johon oven saranat tulevat. Oven voi asentaa vasemmalle tai oikealle aukeavaksi. Nämä ohjeet ovat oikealle avautuvan oven mukaiset.

Ikkunan asennus

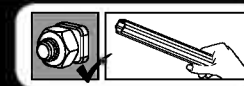
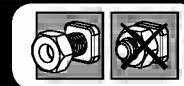
Vaihe 29: Päätä ikkunan sijainti ennen asennusta. Ikkuna voidaan asentaa johonkin osoitetuista paikoista.

Vaihe 43: Jos ikkuna ei sulkeudu oikein, irroita ruuvit, säädä tukirankaa ja kiristä ruuvit uudelleen.

⚠ Tärkeitä suosituksia

Ruuvit 411 ja mutterit 412 ovat yleisesti käytössä koko kasvihuoneen osalta.

- Ruuvit 411 asennetaan ulko sisäänpäin ja mutterit 412 kiristetään sisäpuolelta
- Älä kiristä tiukkaan alkuvaiheessa ruuveja ja muttereita(411 & 412) sormitkiristystä enempää.
- Tarvitset ruuvien suomaa säätöväljyyttä levykiinnityksiin asti. Lopussa kaikki liitokset tulee kiristää työkaluilla tiukasti kiinni.
- Joissakin vaiheissa muutaman ruuvien väliaikainen kiristys voi olla kuitenkin tarpeen tukirangan kaatumisen estämiseksi.



412



411



TÄHTIS

Palun lugege kasutusjuhised hoolikalt läbi enne kui hakkate oma kasvuhoonet kokku panema.

Hoidke need juhised turvalised kohas edaspidiseks kasutamiseks

» Klienditeenindus

Abiks kokkupanemisel või varuosade jaoks – palun logige sisse meie veebilehele või helistage klienditeenindusse (number on tiitellehel).

Lisainformatsiooni võib leida meie veebilehelt: www.palramapplications.com

» Ohutusjuhised

- Soovitame tungivalt kasutada kokkupanekul töökindaid.
- Kandke alati jalanõusid ja kaitseprille kui töötate pressitud alumiiniumiga.
- Kasutades redelit või elektritööriistu, veenduge, et järgite tootjapoolseid ohutusjuhiseid.
- Ärge katsuge üleulatuvaid elektri kaableid alumiiniumprofiiliga.
- Ärge üritage kasvuhoonet kokku panna tuulistes või niisketes tingimustes.
- Visake kõik plastikkotid ohutult ära, et hoida need eemal väikestest lastest.
- Hoidke lapsed kokkupanemisalast eemal.
- Ärge nõjatuge kasvuhoone vastu või lükake seda kokkupanekul.
- Ärge asetage oma kasvuhoonet kohta kus on tugev tuul.
- Ärge üritage kasvuhoonet kokku panna kui olete väsinud, kasutate ravimeid, olete tarbinud alkoholi või olete uimane.
- Kuumad esemed, nagu hiljuti kasutatud grill, leeklamp jm ei tohi hoida kasvuhoones.
- Veenduge, et varjatud torusid või kaablit poleks maapinnas enne vaiade sisestamist.
- See toode on konstrueeritud kasutamiseks peamiselt kui kasvuhoonena.

» Hooldus ja korrashoid

Kui Teie kasvuhoone vajab puhastamist, kasutage pehmet puhastusvahendit ja loputage külma, puhta veega. ÄRGE KASUTAGE atsetooni, abrasiivseid puhastusaineid või teisi lahuseid paneelide puhastamiseks. On perioodiliselt soovitatav kontrollida, et katusepaneelide vahed (plastosad 329 ja profiil 981) oleksid omal kohal.

» Tööriistad ja varustus

- Mõõdulint
- Töökindad
- Määrdeõli
- Ristpeaga kruvikeeraja
- Tasandaja
- Kummist vasar
- Tellitav mutrivõti
- T001



» Enne paigaldamist

- ✓ Koha valimine:
 - Kasvuhoone tuleb paigaldada ja kinnitada tasasele pinnale.
 - Vali päikseline asukoht, kus ei oleks varjuheitvaid puid.
- ✓ Soovitame kinnitada kasvuhoone kindlale betoonist vundamendile. Selleks kasutage metallpõhjas olevaid eelnevalt valmis puuritud auke.
- ✓ See on mitmest osast koosnev struktuur, mille paigaldamist on parim teha kahe inimesega. Paigaldamine võtab aega vähemalt pool päeva.
- ✓ Võta pakenditest välja kõik komponendid. Sorteeri osad ning kontrolli osade nimekirja alusel, kas kõik on olemas. Soovitame asetada osad käeulatusse. Hoia väikeseid osi (kruvisid jms) kausis, et need ära ei kaoks.
- ✓ Pea silmas, et selles kasvuhoones kasutatakse mitme küljega profiile. Seetõttu jäävad paigaldamisel mõned augud kasutamata.
- ✓ Enne alustamist loe kõik juhised läbi. Paigaldamist tee täpselt juhendist toodud järjekorras.

» Märkused paigaldamiseks

- Paneelide profiilide vahele libistamiseks võid kasutada silikoonist määrdepihustit.
- Ära pihusta polükarbonaadist paneelidele.
- Vajadusel kasuta kummist vasarat.

i Kokkupanemise vältel märkate informatsiooni ikooni, vaadake täiendavaid kommentaare ja vihjeid vastava kokkupanemise sammu juurest.

Samm 5: Osad 994 ja 995 asuvad kasvuhoone taga. Nende kinnitamine määrab kindlaks kasvuhoone esikülje.

Sammud 8, 11: Põiklatis 256 asuv ovaalne auk tuleks paigaldada kasvuhoone põhja.

Samm 9 ukse paigaldamine: Määrab kindlaks ukse suuna. Osa 987 on külg, kus ukse hinged asuma hakkavad. Ukse võib paigaldada kas vasaku- või parempoolse ukseks. Käesolevates juhistes on toodu ukse paigaldamine parempoolsena.

Akna paigaldamine

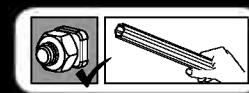
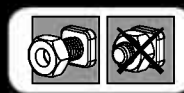
Samm 29: Otsusta akna asukoht enne paigaldamist. Akna saab paigaldada ühte viidatud kohtadest.

Samm 43: Kui aken ei sulgu korralikult, lödvenda kruvisid, kohanda profiili ja keera kruvi uuesti kinni.

! Olulised soovitused

- Kinnita kasvuhoone kindlalt tasasele pinnale kohe peale selle kokkupanemist.
- Kasvuhoone ankurdamiseks kasuta määratud tootja ankurduskomplekti.
- Kasvuhoonet on võimalik ankurdada ka alusprofiilidesse aukude puurimise ja nende kruvidega kinnitamisega maasse (kruvisid kaasas ei ole).
- Pingutage kõik kruvid täites koost.
- Tähelepanu: toote pinnasesse ankurdamine on stabiilsuse ja jäikuse tagamiseks vältimatu. Selle etapi teostamine on garantii kehtimiseks kohustuslik.

- Kruvisid 411 ja mutreid 412 kasutatakse läbivalt kogu kokkupanemisprotsessi ajal.
- Kruvid 411 tuleb monteerida väljastpoolt ja mutrid 412 seestpoolt kasvuhoonet.
- Mõne sammu puhul võib profiili kukkumise vältimiseks osutada vajalikuks mõnede kruvide ajutine kinnikruvimine.



BELANGRIJK

Lees deze instructies zorgvuldig voordat u begint met de montage van deze broeikas.

Bewaar deze instructies op een veilige plaats voor toekomstige referenties.

» Klantenservice

Voor assistentie met monteren, vervangen van onderdelen of elke andere aanvullende informatie log in op onze website of bel onze klantenservicelijn (nummer staat in het paginahoofd). www.palramapplications.com

» Veiligheidsadvies

- Het is uiterst belangrijk alle onderdelen volgens de richtlijnen te monteren. Sla geen enkele stap over.
- Het is ten eerste aanbevolen om werkhandschoenen te dragen tijdens de montage.
- Draag altijd schoenen en een veiligheidsbril als u met geëxtrudeerd aluminium werkt.
- Als u een ladder of elektrisch gereedschap gebruikt, wees zeker dat u het veiligheidsadvies van de fabrikant volgt.
- Raak de bovengrondse electriciteitskabels niet aan met de aluminium profielen.
- Probeer de broeikas niet te monteren in winderige of natte omstandigheden.
- Verwijder alle plastic veiligheidszakken en houd ze buiten bereik van kleine kinderen.
- Houd kinderen uit het montagegebied.
- Leun niet of druk niet aan de broeikas gedurende de montage.
- Plaats uw broeikas niet in een gebied met overmatige wind.
- Probeer de broeikas niet te monteren indien u moe bent, drugs of alcohol gebruikt heeft of als u lijdt aan aanvallen van duizeligheid.
- Hete voorwerpen zoals recent gebruikte grillen, branders, enz. mogen niet in de broeikas opgeslagen worden. Verzekert dat er geen verborgen pijpen of kabels in de grond zijn voordat u de pinnen plaatst.
- Dit product werd ontworpen om hoofdzakelijk te worden gebruikt als broeikas.

» Verzorging & onderhoud

Indien uw broeikas moet worden schoongemaakt, gebruik dan een zachte oplossing met wasmiddel en spoel het met koud schoon water. GEBRUIK GEEN aceton, schuurmiddelen of andere speciale wasmiddelen voor het reinigen van heldere panelen.

Het is aanbevolen om regelmatig te controleren of de dakpanelen > kappen (plastic onderdeel 329 & profiel 981) op hun plaats zitten.

» Gereedschap & uitrusting

- Meetlint
- Werkhandschoenen
- Phillips schroevendraaier
- Waterpas
- Siliconenspray / Glijmiddel
- Rubberen hamer
- Verstelbare spanner/ schroefsleutel
- T001



» Voor montage

- ☑ Selecteer een site:
 - De kas dient geplaatst en gemonteerd te worden op een vlakke ondergrond.
 - Kies een zonnige positie weg van overhangende bomen.
- ☑ We raden aan dat deze kas rechtstreeks wordt bevestigd op een solide cementen fundering. Wanneer dit gebeurt gebruik de voorgeboorde gaten in de metalen basis.
- ☑ Dit is een multi-part montage en kan het beste worden gedaan door twee personen. Houd tenminste rekening met een halve dag voor het montageproces.
- ☑ Haal alle onderdelen uit de pakketten. Sorteer de onderdelen en controleer ze met de inhoudslijst. De onderdelen moeten vlak bij de hand gehouden worden. Houd alle kleine onderdelen (schroeven, enz.) in een kom zodat ze niet verdwijnen.
- ☑ Let wel dat er meezijdige profielen worden gebruikt in deze kas. Als gevolg kunnen er sommige gaten in de profielen zitten die niet worden gebruikt gedurende de montage.
- ☑ Lees de gehele instructies voordat u begint. Voer de montagestappen uit in de exacte volgorde.

» Aantekeningen bij de montage

- U kunt siliconenspray gebruiken om de panelen gemakkelijker in de profielen te schuiven.
- Spray niet de polycarbonaat panelen.
- Gebruik een rubberen hamer indien nodig.

i Wanneer u een informatie-icoontje opmerkt, raadpleeg dan de relevante montagestap voor de bijkomende commentaar en assistentie.

Stap 5: Deel 994, 995 zijn achter in de kas. Het vastmaken daarvan bepaalt de voorkant van de kas.

Stappen 8, 11: Het ovale gat in de dwarsbalken 256 moet altijd worden gemonteerd aan de basis van de kas.

Stap 9 Deur montage: Bepaalt de deurrichting. Deel 987 is de zijde waarop de deurscharnieren plaatsvinden. De deur kan aan de linker- of rechterhand geïnstalleerd worden. Deze instructies tonen een rechterhand deur montage aan.

Raam montage

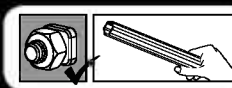
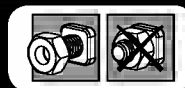
Stap 29: Bepaal de locatie van het raam voor de montage. Het raam kan in een van de aangewezen opties geïnstalleerd worden.

Stap 43: Als het raam niet goed sluit, kunt u de schroeven iets losser maken en het profiel bijstellen en draai de schroeven aan.

⚠ Belangrijke aanbevelingen

- **Sluit de kas stevig aan op een vlakke positie na het voltooiën van de montage.**
- **Om de kas te verankeren gebruik de bijbehorende anker gereedschap van de fabrikant.**
- **Het verankeren van de kas kan ook gedaan worden door het boren van de basisprofielen en deze te bevestigen aan het grond door middel van grondschroeven en spijker (schroeven en spijker worden niet meegeleverd).**
- **Na het beëindigen van de montage moeten alle schroeven vastgedraaid worden.**
- **Let op: Verankering van dit product aan de grond is van essentieel belang voor de stabiliteit en stevigheid. Deze fase dient te worden voltooid, om uw garantie geldig te laten blijven.**

- Schroeven 411 en bouten 412 worden door het gehele montageproces gebruikt.
- Schroeven 411 moeten van de buitenkant gemonteerd worden en bouten 412 aan de binnenkant van de broeikas.
- Draai de schroeven en bouten (411 & 412) niet meer dan 23- draaien. Indien niet anders aangegeven, draai ze niet vast tot voltooiing van de panelen assemblage.
- In sommige stappen kan het nodig zijn om enkele schroeven tijdelijk vast te draaien om het omvallen van een profiel te voorkomen.



412



411



VIGTIGT

Læs disse instruktioner omhyggeligt, inden du begynder at samle drivhuset.
Opbevar disse instruktioner på et sikkert sted til senere brug.

» **Kundeservice**

Før hjælp til samlingen eller til reservedele, gå venligst til vores websted eller ring til vores kundeservice (nummeret findes på forsiden).

Yderligere oplysninger findes på vores websted: www.palamapplications.com

» **Sikkerhedsadvarsel**

- Det er meget vigtigt, at alle dele samles i henhold til anvisningerne. Spring ikke noget trin over.
- Vi anbefaler stærkt, at der anvendes arbejdshandsker under samlingen.
- Vær altid iført sko og anvend sikkerhedsbriller, når der arbejdes med ekstruderet aluminium.
- Hvis der bruges en trappetige eller elektrisk værktøj, skal producentens sikkerhedsanvisninger følges.
- Berør ikke luftledninger med aluminiumsprofilerne.
- Forsøg ikke at samle drivhuset, når det blæser eller er vådt i vejret.
- Bortskaf alle plastikposer på sikker måde. Hold dem udenfor små børns rækkevidde.
- Hold børn væk fra stedet, hvor samlingen foregår.
- Læn dig ikke mod drivhuset og skub ikke til det under monteringen.
- Anbring ikke drivhuset på et sted med kraftig vind.
- Forsøg ikke at samle drivhuset, hvis du er træt, er under indflydelse af narkotika, medicin eller alkohol, eller hvis du har tendens til svimmelhed.
- Varme ting såsom netop brugte griller, blæselamper osv må ikke opbevares i drivhuset. Inden du anbringer naglerne, skal du kontrollere, at der ikke findes skjulte rør eller kabler i jorden.
- Dette produkt blev primært designet til at blive brugt som drivhus.

» **Pasning og vedligeholdelse**

Rengør drivhuset med en mild sæbeopløsning og skyl efter med rent, koldt vand. Brug IKKE acetone, slibende rengøringsmidler eller andre særlige rengøringsmidler til rengøring af de gennemsigtige paneler.

» **Værktøj og udstyr**

- Målebånd
- Arbejdshandsker
- Plastik- eller gummihammer
- Nivelleringsanordning
- Silikonespray / Smøremiddel
- Gummihammer
- Justerbar skruenøgle / svensknøgle
- T001

» **Før justering**

- ☑ Valg af sted:
 - Drivhuset skal placeres og opføres på en plan flade
 - Vælg et solrigt sted uden overhængende træer
- ☑ Vi anbefaler kraftigt, at dette drivhus fæstnes direkte til et solid betonfundament. Når du gør dette, kan du anvende de på forhånd borede huller i metalfundamentet
- ☑ Dette er et samlesæt med mange dele som lettest samles ved hjælp af to personer. Afsæt mindst en halv dag til at samle drivhuset
- ☑ Tag alle dele ud af indpakningen. Sorter delene og tjek dem mod indholdslisten. Placer delene, så du let kan nå dem.
Opbevar alle små dele (skruer etc.) i en skål, så de ikke bliver væk
- ☑ Vær opmærksom på, at der anvendes flersidede profiler i dette drivhus. Derfor anvendes nogle huller i profilerne ikke i forbindelse med samlingen af drivhuset
- ☑ Gennemgå hele vejledningen, før du går i gang. Udfør samlingen i den præcist angivne rækkefølge

» **Bemærkninger i forbindelse med samlingen**

- Du kan anvende silikone-smøremiddel som hjælp til at få panelerne ind profilerne
- Spray ikke på polycarbonate-pladerne
- Brug en gummihammer om nødvendigt



Når støder ikonet, information, henvises der til den relevante samling skridt for yderligere kommentarer og assistance.

Trin 5: Del 994, 995 skal være bagerst i drivhuset. Ved at fæstne dem bestemmes for- og bagenden af drivhuset.

Trin 8, 11: Det ovale hul i tværstængerne 256 bør altid samles ved drivhusets bund.

Trin 9 Samling af dør:

Afgør dørens retning. Del 987 er den side, hvor dørens hængsler er placeret. Døren kan installeres i enten højre eller venstre side. Denne vejledning viser samlingen af en højresidet dør.

Samling af vindue

Trin 29: Afgør vinduets placering før samling. Vinduet kan installeres i en af de angivne muligheder.

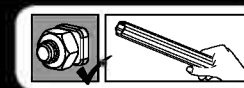
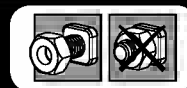
Trin 43: I tilfælde af at vinduet ikke lukker ordentligt, kan du løsne skrueene, justere profilen og stramme skruen.

! Vigtige anbefalinger

- **Sørg for at fæstne drivhuset grundigt til et jævnt fundament udenmiddelt efter det er færdigsamlet**
- **Anvend det angivne fastgøringssystem fra producenten til at fæstne drivhuset**
- **Drivhuset kan også fæstnes ved at bore profilerne til fundamentet og fæstne dem til fundamentet ved hjælp af jordbaserede skrue og pigge (følger ikke med sættet)**
- **Spænd alle skrue, når du gennemfører samling.**
- **Bemærk venligst: Forankring af dette produkt til jorden er afgørende for dets stabilitet og styrke. For at sikre gyldigheden af din garanti, kræves det, at du gennemfører dette trin.**

Skrueene 411 og møtrikkerne 412 bruges under hele samlingen.

- Skrue 411 skal skrues i udefra og møtrikkerne sættes på indenfor i drivhuset.
- Stram ikke skrue og møtrikker (411 og 412) mere end to-tre omgange. Hvis ikke andet er anført, skal de ikke strammes, før panelerne er samlet.
- I nogle dele af samlingsprocessen kan en midlertidig stramning af nogle af skrueene være nødvendigt for at forhindre en profil i at vælte



412



411



VIKTIG!

Les disse anvisningene nøye før montering, og ta vare på dem for fremtidig bruk.

» Sikkerhetsanvisninger

- Utfør monteringen i henhold til disse anvisningene.
- Bruk vernehansker.
- Bruk sko og vernebriller ved arbeid med aluminiumsprofiler.
- Følg produsentens sikkerhetsanvisninger for verktøy og annet utstyr.
- Pass på at aluminiumsprofilene ikke kommer i kontakt med strømkabler eller ledninger.
- Ikke forsøk å montere produktet når det blåser eller regner.
- Emballasjen skal avhendes i henhold til gjeldende regler. Oppbevar plastposer utilgjengelig for barn – kvelningsfare.
- Hold barn på trygg avstand fra arbeidsområdet.
- Ikke trykk eller vipp på produktet under monteringen.
- Ikke plasser produktet slik at det utsettes for sterk vind.
- Forsøk aldri å montere produktet hvis du er trøtt eller påvirket av narkotika, legemidler eller alkohol.
- Oppbevar aldri varme gjenstander i drivhuset. Kontroller at det ikke ligger skjulte rør eller kabler i bakken før du trykker ned pinnene.
- Produktet må kun brukes som drivhus.
- Dette produktet ble laget for å brukes i hovedsak som drivhus.

» Vedlikehold og rengjøring

Rengjør produktet med mildt rengjøringsmiddel og skyll med kaldt vann. Bruk ikke aceton, slipende rengjøringsmidler eller andre kjemikalier på de gjennomsiktige delene. Kontroller regelmessig at takpanelets plastbeskyttelse (plastdetalj 329 og profil 981) er korrekt montert.

» Verktøy

- Målebånd
- Gummihammer
- Arbeidshansker
- Justerbar skiftnøkkel / Fastnøkkel
- Phillips skrutrekker
- T001 – spesialverktøy for skrue 411 og mutter 412
- Vater
- Silikonspray / Smøremiddel

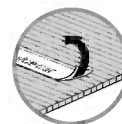


» Før sammensetning

- ☑ Velg et egnet sted:
 - Drivhuset må plasseres og festes på et flatt underlag.
 - Velg en solrik beliggenhet uten overhengende trær.
- ☑ Vi anbefaler sterkt at dette drivhuset plasseres direkte på et betongunderlag. For dette formålet bruker du de forhåndsdrillede hullene i metallbasen.
- ☑ Denne flerdelte monteringen oppnås best av to personer. Beregn minst en halv dag for monteringsprosessen.
- ☑ Ta alle komponentene ut av emballasjen. Sorter delene og sjekk at alt er iflg. delelista. Delene bør legges ut slik at du lett kan nå dem. Hold alle små deler (skruer osv) i en bolle slik at de ikke forsvinner.
- ☑ Legg merke til at flersidige profiler er brukt i dette drivhuset. Dette betyr at enkelte av hullene profilene ikke blir brukt under monteringen.
- ☑ Gå gjennom alle instruksjonene før du starter. Utfør monteringstrinnene i nøyaktig orden.

» Merknader under montering

- Vær oppmerksom på at du må installere panelene med den UV-beskyttete siden ut (merket med «THIS SIDE OUT») og fjerne filmremsene som dekker panelene.
- Du kan bruke silikonspray for å hjelpe med at panelene sklir inn i profilene.
- Ikke spray paneler laget av polykarbonat.
- Bruk gummihammer hvis nødvendig.



Under monteringen vil du møte på informasjonsikonet, hvor det henvises det til det relevante monteringstrinnet for flere kommentarer og hjelp.

Trinn 5: Del **994** og **995** er på baksiden av drivhuset. Når de festes avgjøres forsiden av drivhuset.

Trinn 8, 11: Det ovale hullet i tverrstengene 256 bør alltid være montert på undersiden av drivhuset.

Trinn 9: Dørmontering: Avgjør retningen av døra. Del # **987** er den siden hvor dørhengslene skal plasseres. Døra kan installeres enten som venstre- eller høyrevendt dør. Disse instruksjonene viser en høyrevendt dørmontering.

» Vindumontering

Trinn 29: Finn plasseringen av vinduet før montering. Vinduet kan installeres i en av de angitte mulighetene.

Trinn 43: Hvis vinduet ikke lukkes skikkelig, løsne på skruene, juster profilen og stram til skruene igjen.

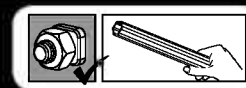
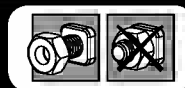


Viktige anbefalinger

- Fest drivhuset godt til et underlag Posisjoner straks etter at monteringen er fullført.
- For å forankre drivhuset brukes fabrikantens forankringssett.
- Forankring av drivhuset kan også gjøres ved å drille baseprofilen og feste den til bakken ved å benytte bakkeskrue (skrue følger ikke med).
- Stram alle skruene etter monteringen er fullført.
- For å sikre produktets stabilitet er det essensielt å forankre produktet i bakken. Det er nødvendig å fullføre dette steget for at garantien skal være gyldig.

Screws 411 and nuts 412 are used throughout the assembly process.

- Screws 411 are to be assembled from the outside and nuts 412 from the inside of the greenhouse.
- Do not fasten screws and nuts (411 & 412) more than 23- turns only. Do not tighten them until completion of the panels' assembly, if not specified otherwise.
- However, in some steps, temporary tightening of a few screws may be needed to prevent a profile from falling.



412



411



DŮLEŽITÉ

Předtím, než začnete sestavovat tento skleník, si pečlivě přečtěte tyto pokyny. Uchovávejte tyto pokyny pro další potřebu na bezpečném místě.

» Oddělení péče o zákazníky

Pro pomoc s montáží nebo objednáni náhradních dílů se přihlaste na naše webové stránky nebo zavolejte na naši servisní linku (číslo je uvedeno na titulní stránce).

Další informace můžete nalézt na našich webových stránkách: www.palramapplications.com

» Bezpečnostní tipy

- Je nanejvýš důležité sestavit všechny části podle návodu. Nevynechávejte žádný krok.
- Důrazně doporučujeme při sestavování používat pracovní rukavice.
- Při práci s extrudovaným hliníkem noste vždy obuv a ochranné brýle.
- Pokud používáte schůdky nebo elektrické nástroje, ujistěte se, že můžete dodržet bezpečnostní pokyny jejich výrobce.
- Nedotýkejte se nadzemních elektrických kabelů hliníkovými profily.
- Nepokoušejte se sestavovat skleník při silném větru nebo za deště.
- Bezpečně vyhodte plastové obaly - uchovávejte je mimo dosah dětí.
- Zabraňte dětem v přístupu do oblasti montáže.
- Během stavby se o skleník neopírejte a netlačte na něj.
- Skleník neumísťujte do míst vystavených nadměrnému větru.
- Nepokoušejte se sestavit tento skleník, pokud jste unaveni, pod vlivem léků nebo alkoholu nebo máte sklony k závratím.
- Ve skleníku nesmí být skladovány horké předměty, jako např. nedávno používané grily, autogeny atd. Před vložením kolíků se ujistěte, že v zemi nejsou žádná skrytá potrubí nebo kabely.
- Tento produkt byl navržen především pro používání jako skleník.

» Péče a údržba

Pokud váš skleník potřebuje vyčistit, použijte slabý roztok detergentu a opláchněte jej čistou studenou vodou. Na čištění panelů NEPOUŽÍVEJTE aceton, abrazivní prostředky nebo jiné speciální detergenty.

» Nástroje a vybavení

- Měřicí pásmo
- Pracovní rukavice
- Křížový šroubovák
- Vyrovnávač
- Silikonový sprej / Mazadlo
- Plastová nebo gumová palička
- Francouzský klíč / Hasák
- T001



» Před montáží

- ☑ Zvolení místa:
 - Skleník musí být umístěn a upevněn na rovném povrchu.
 - Zvolte slunečné umístění daleko od přesahujících stromů.
- ☑ Důrazně doporučujeme, abyste váš skleník umístili přímo na pevný betonový základ. Použijte k tomu předem vyvrtané díry v kovovém základu.
- ☑ Toto je montáž z více částí a nejlépe se provádí ve dvou lidech. Pro proces montáže si vyhradte nejméně půl dne.
- ☑ Vyjměte všechny součásti z obalů. Seřadte součásti a zkontrolujte je vůči seznamu součástí. Součásti by měly být rozloženy na dosah ruky.
 - Malé součásti (šroubky atd.) dejte do misky, aby se neztratili.
- ☑ Vezměte prosím na vědomí, že v tomto skleníku jsou použity vícestranné profily. Výsledkem toho nejsou některé díry během montáže použity.
- ☑ Před zahájením montáže prosím zkontrolujte veškeré instrukce. Jednotlivé kroky provádějte v pevně daném pořadí.

» Poznámky během montáže

- Můžete použít silikonový lubrikační sprej, aby vám panely sklouzly lépe do profilů.
- Nesprejujte na polykarbonátové panely.
- Použijte gumovou paličku, pokud je to nutné.



Jakmile narazíte na informační ikonu, podívejte se na odpovídající krok, najdete zde další informace a pomoc.

Krok 5: Části A994, A995 jsou v zadní části skleníku. Jejich připevnění rozhodne o přední části skleníku.

Kroky 8, 11: Oválná díra v břevnu A256 musí být vždy zmontována do základny skleníku.

Krok 9 Montáž dveří: Rozhoduje o směru dveří. Součást # 987 je strana, na které budou umístěny dveřní panty. Dveře mohou být namontovány buď jako dveře pro leváky nebo pro praváky. Tyto instrukce ukazují montáž pro praváky.

Montáž okna

Krok 29: Před montáží rozhodněte o umístění okna. Okno může být namontováno do jedné z uvedených možností.

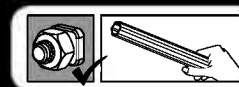
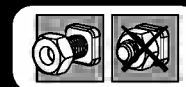
Krok 43: V případě, že se okno správně nezavřelo, prosím uvolněte šroubky, upravte profil a utáhněte šroubek.

**Důležitá doporučení**

- **Okamžitě po dokončení montáže pevně připevněte skleník do rovné polohy.**
- **Použijte ukotvovací sadu navrženou výrobcem, abyste ukotvili skleník.**
- **Ukotvení skleníku může být také provedeno vyvrtáním základových profilů a jejich připevněním k zemi pomocí zemnicích šroubků (šroubky nejsou dodávány).**
- **Utáhněte všechny šrouby, když ukončení montáže.**
- **Vezměte prosím na vědomí: Ukotvení tohoto produktu k zemi je nezbytné pro jeho stabilitu a pevnost. Aby byla vaše záruka platná, je nutné dokončit tento krok.**

Šrouby 411 a matice 412 se používají během celého procesu montáže.

- Šrouby 411 jsou určeny pro montáž z vnějšku a matice 412 zevnitř skleníku.
- Neutahujte šrouby a matice (411 & 412) více než o 2 až 3 otáčky. Nedotahujte je, dokud nedokončíte sestavování panelů, pokud není uvedeno jinak.
- Nicméně, v některých krocích je nutné dočasně přišroubovat pár šroubků, aby se zabránilo spadnutí profilu.



Viktigt

Läs noga igenom dessa instruktioner innan ni börjar montera växthuset. Förvara dessa instruktioner på en säker plats för framtida referenser.

» Kundservice

För rådgivning av montering eller byte av delar – vänligen kontakta oss via e-mail eller telefon (nummer finns på förstasidan).

Ytterligare information finns på producentens hemsida: www.palramapplications.com

» Säkerhetsföreskrifter

- Följ monteringsanvisningarna i den ordning som anvisas i instruktionerna, hoppa inte över något steg.
- Vi rekommenderar att handskar, skor och skyddsglasögon alltid används då man arbetar med metallprofiler.
- Vid användning av stege, redskap och bormaskin, följ tillverkarens säkerhetsråd.
- Var noga med att inte komma i kontakt med elkablar då metallprofiler hanteras.
- Undvik att montera växthuset i dåligt, blåsigt väder eller regn.
- Ta väl hand om all plastpåsar och se till att de är utom räckhåll för barn.
- Låt inte barn vistas på monteringsplatsen och håll omgivningen snygg.
- Luta eller tryck inte på växthuset under montering.
- Välj omsorgsfullt platsen för växthuset så att det inte påfrestras av kraftig vind eller extra snö.
- Försök inte att sätta ihop denna produkt om du är trött, har tagit droger, druckit alkohol eller om du brukar ha yrselattacker.
- Heta föremål som en nyligen använd grill, blåslampa eller dyligt får inte förvaras i växthuset. Försäkra att det inte finns några dolda rör eller kablar i marken innan du slår ner metallfästena för att förankra växthuset.
- Denna produkt har utformats för att huvudsakligen användas som en växthus.

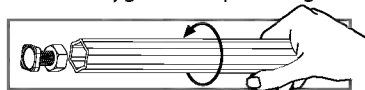
» Underhåll & skötsel

När växthuset behöver rengöras skall du använda ett mildt rengöringsmedel och skölja rikligt med kallt och rent vatten. Använd inte aceton, slipande rengöringsmedel eller andra specialmedel för att rengöra panelerna. Vi rekommenderar att man tidvis kontrollerar takpanelernas fäste (även plastfästen 329 och profiler 981) och försäkrar deras rätta position.

» Verktyg & redskap

- Skyddshandskar
- Måttband
- Silikonspray / smörjmedel
- Phillips-skruvmejsel
- Vattenpass

- Gummiklubba
- Skiftnyckel / fast nyckel
- T001 verktyg (inkl. förpackningen)



» Före montering

- ☑ Val av plats:
 - Växthuset måste placeras på en fast och plant underlag.
 - Välj en solig plats utan överhängande träd.
- ☑ Vi rekommenderar absolut att detta växthus säkras direkt på en solid cementgrund. När detta görs bör man använda de förborrade hålen i metallramen..
- ☑ Detta är en montering av flera delar och görs bäst av två personer. Räkna med minst en halv dag för monteringsprocessen.
- ☑ Ta ut alla komponenter ur förpackningen. Sortera delarna och kontrollera mot komponentlistan. Delarna bör läggas ut nära dig. Ha alla små delar (skruvar etc.) i en skål så att de inte försvinner.
- ☑ Lägg märke till att flerkantsprofiler används i växthuset. Ett resultat av detta är att några av hålen inte används under monteringen.
- ☑ Läs igenom instruktionerna innan du startar. Utför monteringsstegen i exakt ordning.

» Observera under monteringen

- Du kan använda siliconsprej för panelerna lättare skall glida in i profilerna.
- Spreja inte på polycarbonat-panelerna.
- Använd en gummiklubba om nödvändigt.



När du ser en informationsikon så refererar den till det relevanta monteringsmomentet för fler förklaringar och assistans.

Steg 5: Del 994, 995 finns bak i växthuset. Deras placering bestämmer framsidan på växthuset.

Steg 8, 11: Det ovala hålet i tvärstaget 256 skall alltid monteras på växhusets bas.

Steg 9: Montering av dörren: Bestämmer dörrens riktning. Del nr 987 är där den sida dörren hängs på finns. Dörren kan installeras antingen som höger- eller vänsterhängd. De här instruktionerna visar en högerhängd dörr.

Fönstermontage

Steg 29: Bestäm fönstrets placering före monteringen. Fönstret kan installeras enligt något av de indikerade alternativen.

Steg 43: Om fönstret inte stängs ordentligt lättar man på skruven, justera profilen och dra åt skruven.

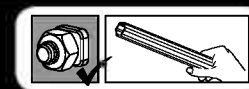
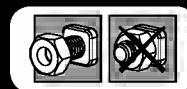


Viktiga rekommendationer

- Sätt fast växthuset på ett horisontellt plant underlag efter att monteringen är klar.
- Använd tillverkarens avsedda förankringskit för att fästa växthuset .
- Förankring av växthuset kan också göras genom att man borrar hål i basprofilerna och fäster den i underlaget med hjälp av grundskruvar och spikar (skruvar och spikar ingår ej).
- Dra åt alla skruvar när du slutför monteringen.
- *Observera: Förankring av denna produkt på marken är nödvändigt för stabilitet och styvhet. Det är nödvändigt att slutföra det här steget för att din garanti ska gälla.

Skruv 411 och mutter 412 används genom hela monteringsprocessen.

- Skruv 411 ska monteras från utsidan och mutter 412 från växthusets insida.
- Om inte annat anges, dra inte åt skruv och mutter (411 och 412) mer än 23- varv. Dra inte åt dem förrän monteringen av panelerna är avslutad. Dessa två ikoner anger om du behöver dra åt skruv eller inte.
- I vissa steg kan emellertid temporär åtdragning av ett par skruvar vara nödvändigt för att förhindra att en profil faller ner.




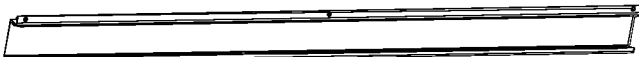


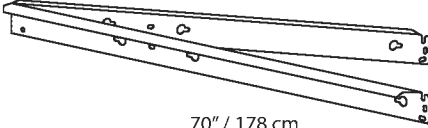
412


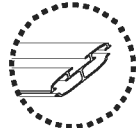

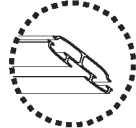
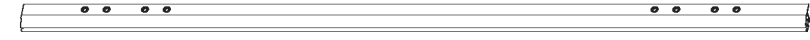
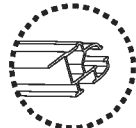

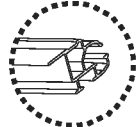




411



Contents

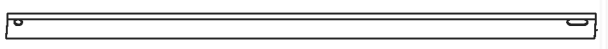
Item		Qty.
7596	23" / 58.6 cm	2
		
7597	46.7" / 118.6 cm	4
		
976	49" / 119 cm	2
		
977	49" / 119 cm	1
		
955	70" / 178 cm	1
		

Item			Qty.
994	67" / 170 cm	 	1
995	67" / 170 cm	 	1
987	65" / 165 cm	 	1
988	65" / 165 cm	 	1
985	64" / 163 cm	 	2

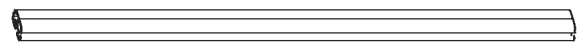
Contents

Item Qty.

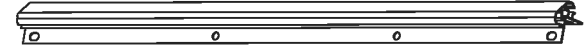
256 51" / 129 cm 4



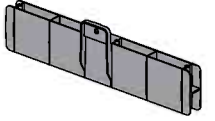
993 46" / 117 cm 4




996 46" / 117 cm 8




8447 2




7602 4



3017 21" / 53 cm 2

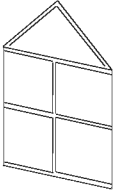


3016 64" / 163 cm 1

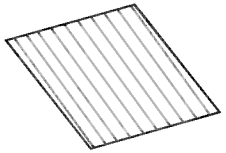


Item Qty.

553 1

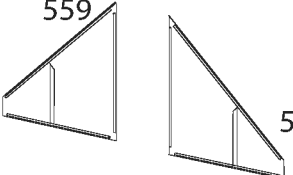


586 2

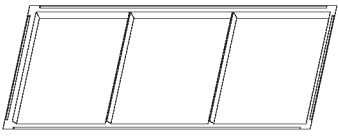


559 2

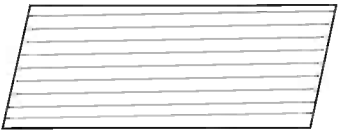
560 2



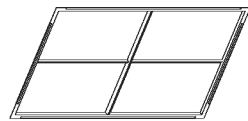
7011 9



581 3

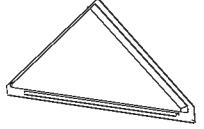


567 2




Item Qty.


570 1




989 24" / 61.5 cm 1



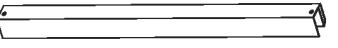
991 24" / 61.5 cm 1




992 23" / 58 cm 2



984 22" / 55 cm 2

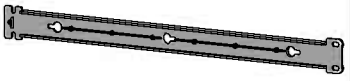


981 22" / 56 cm 4

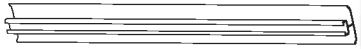


Item Qty.

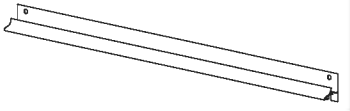
8549 2




999 22" / 56 cm 5




986 24.5" / 63 cm 1




983 18.5" / 47 cm 1

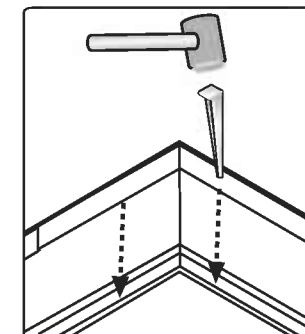
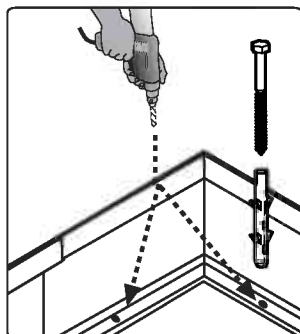
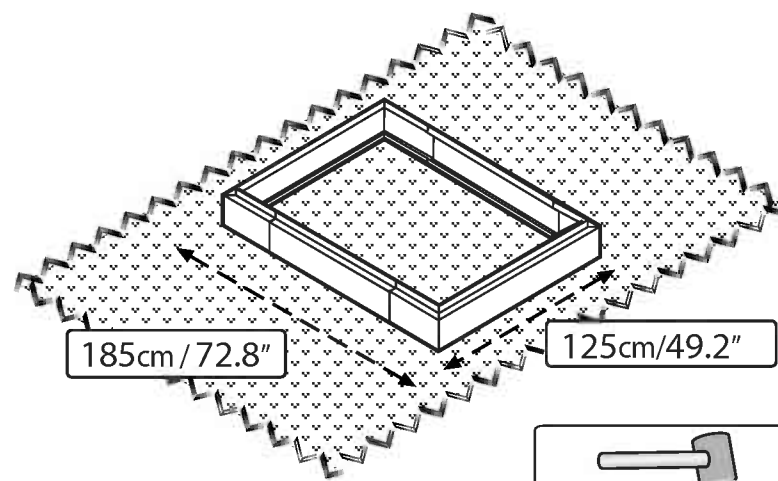
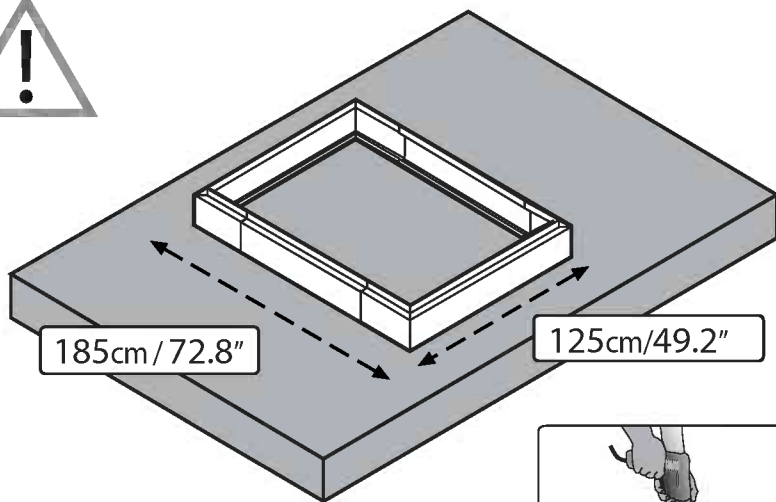
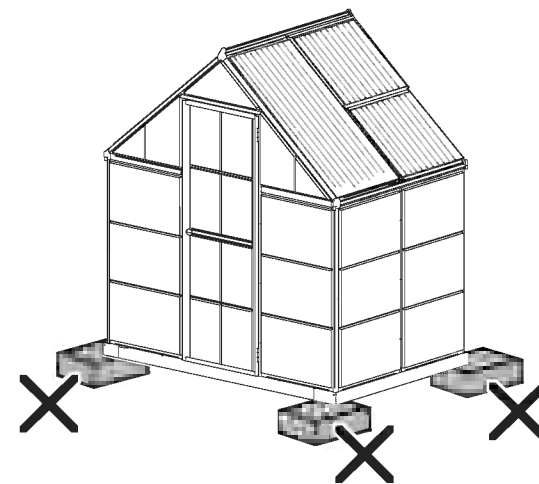
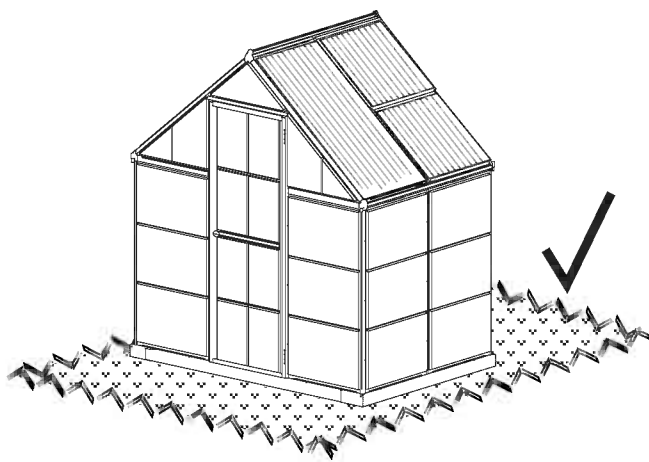
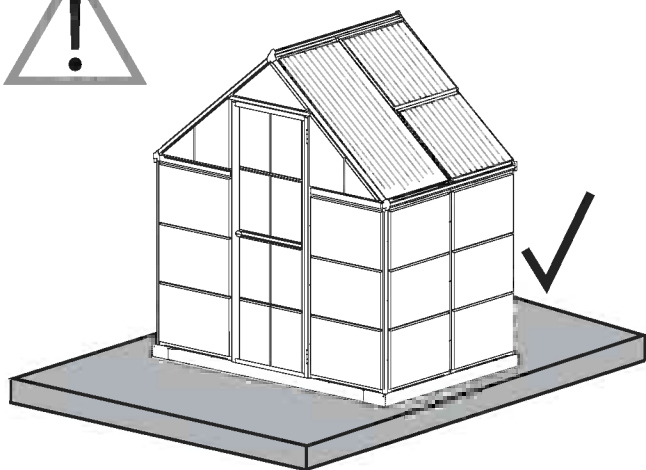


990 22" / 56 cm 1

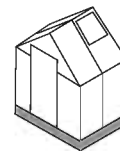


956 1





1



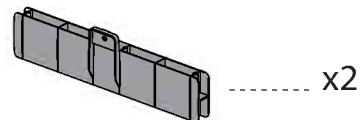
7597



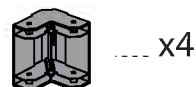
7596



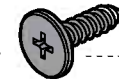
8447



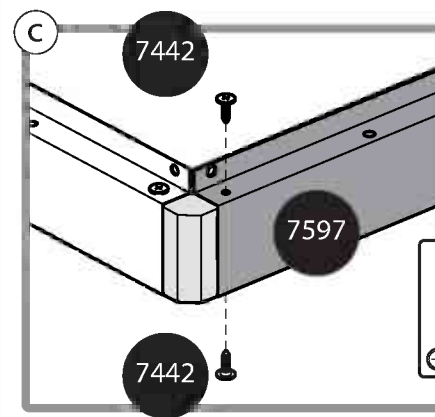
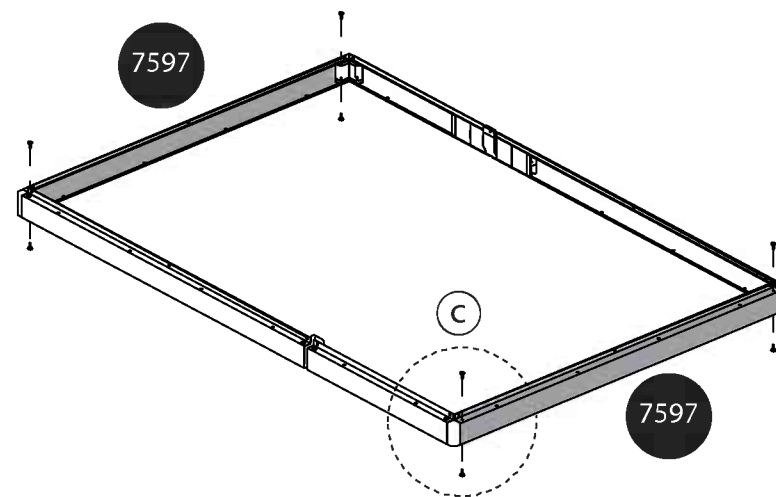
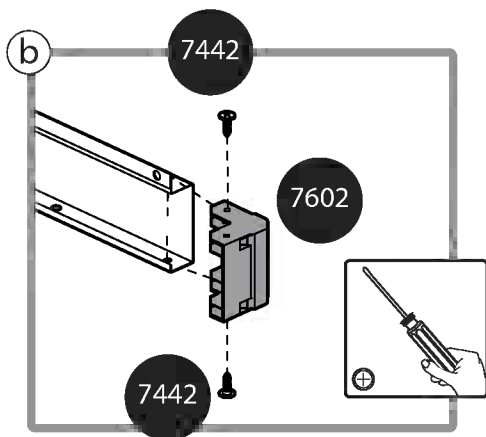
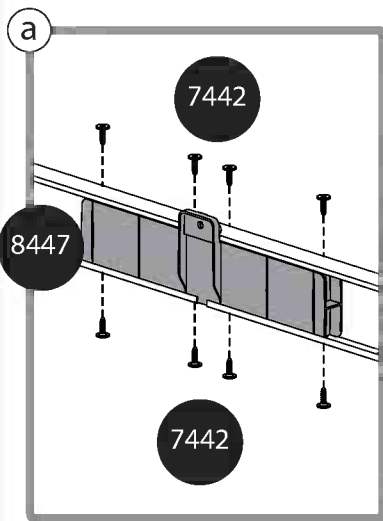
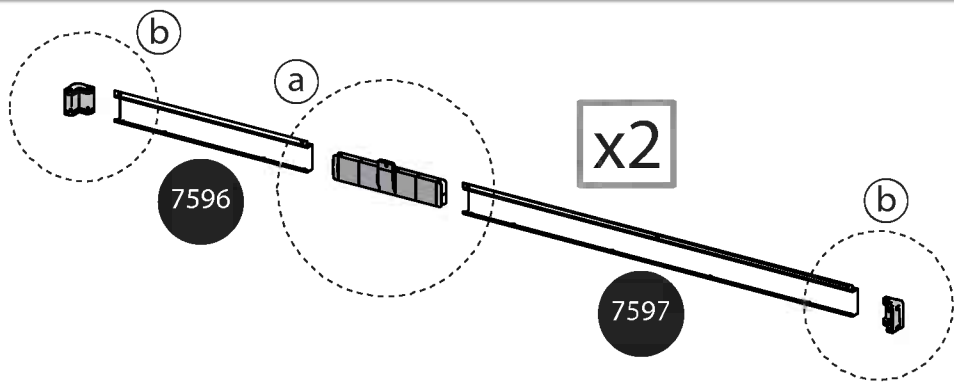
7602

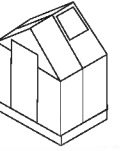


7442

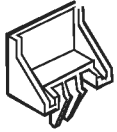


x32

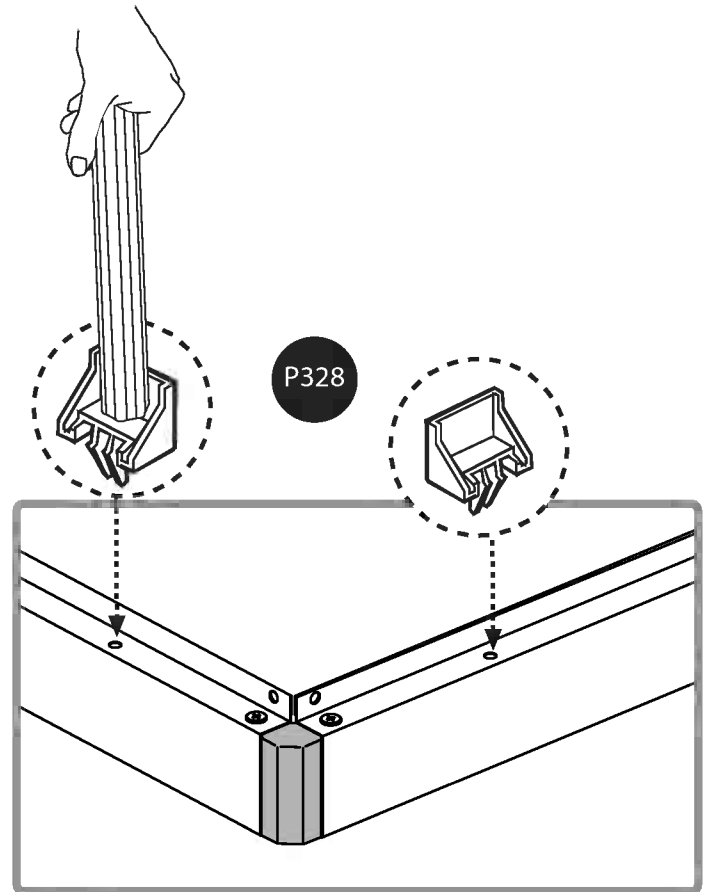
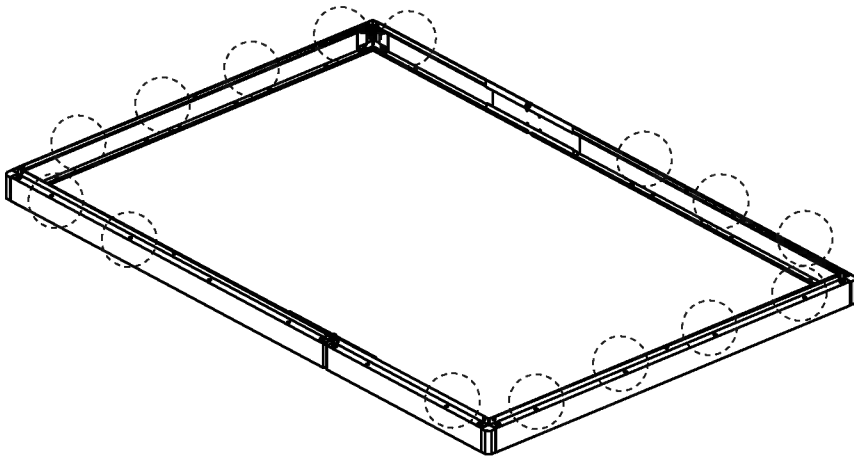
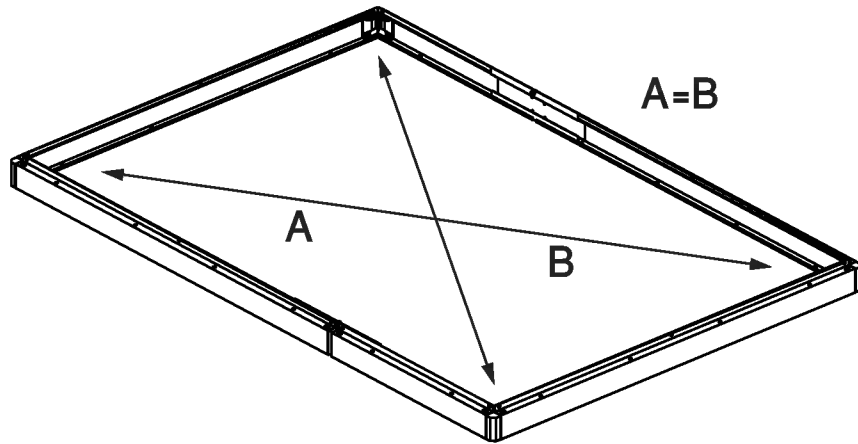
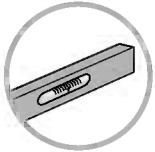


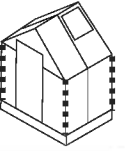


P328

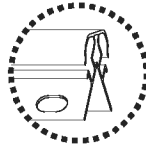


x15





996



x4

412



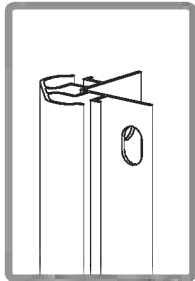
x8

411



x8

996



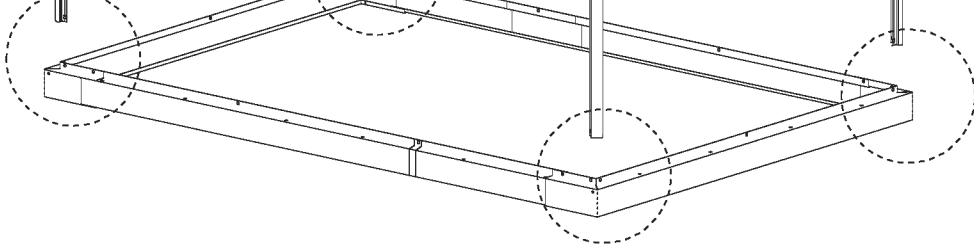
996



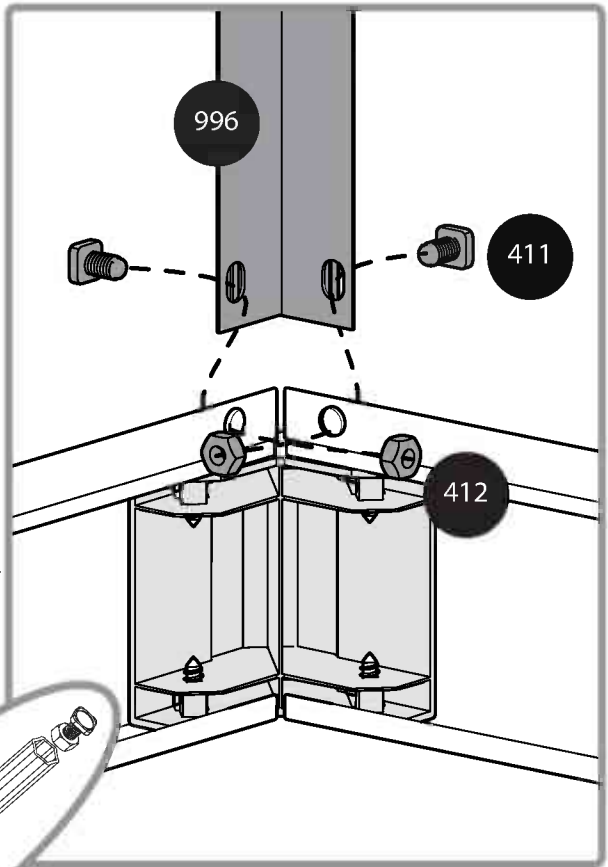
996



996



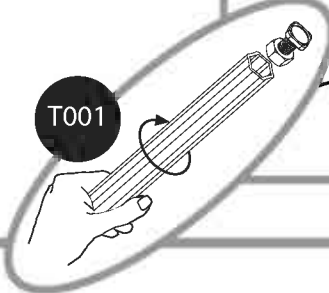
996

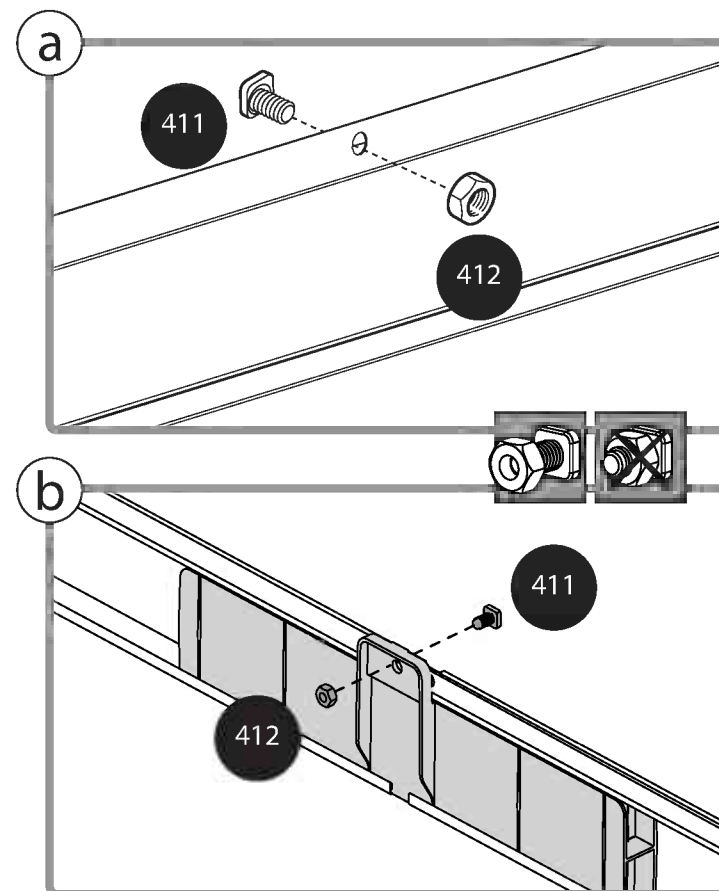
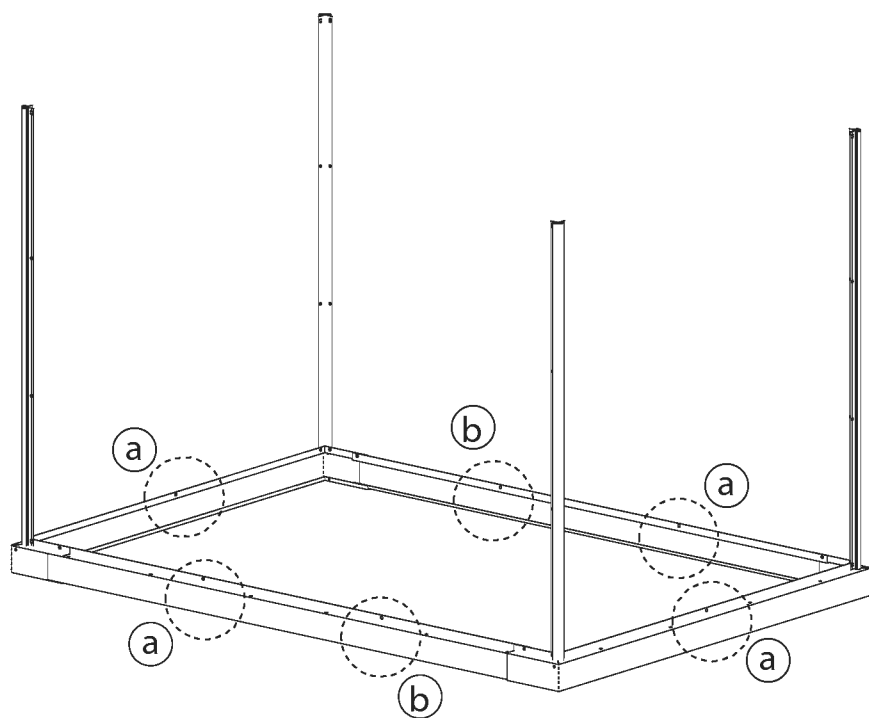
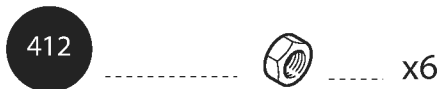
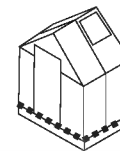


412

411

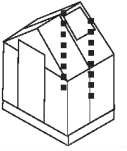
T001



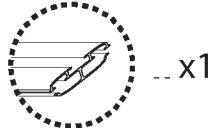


5

i

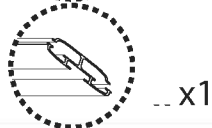


994

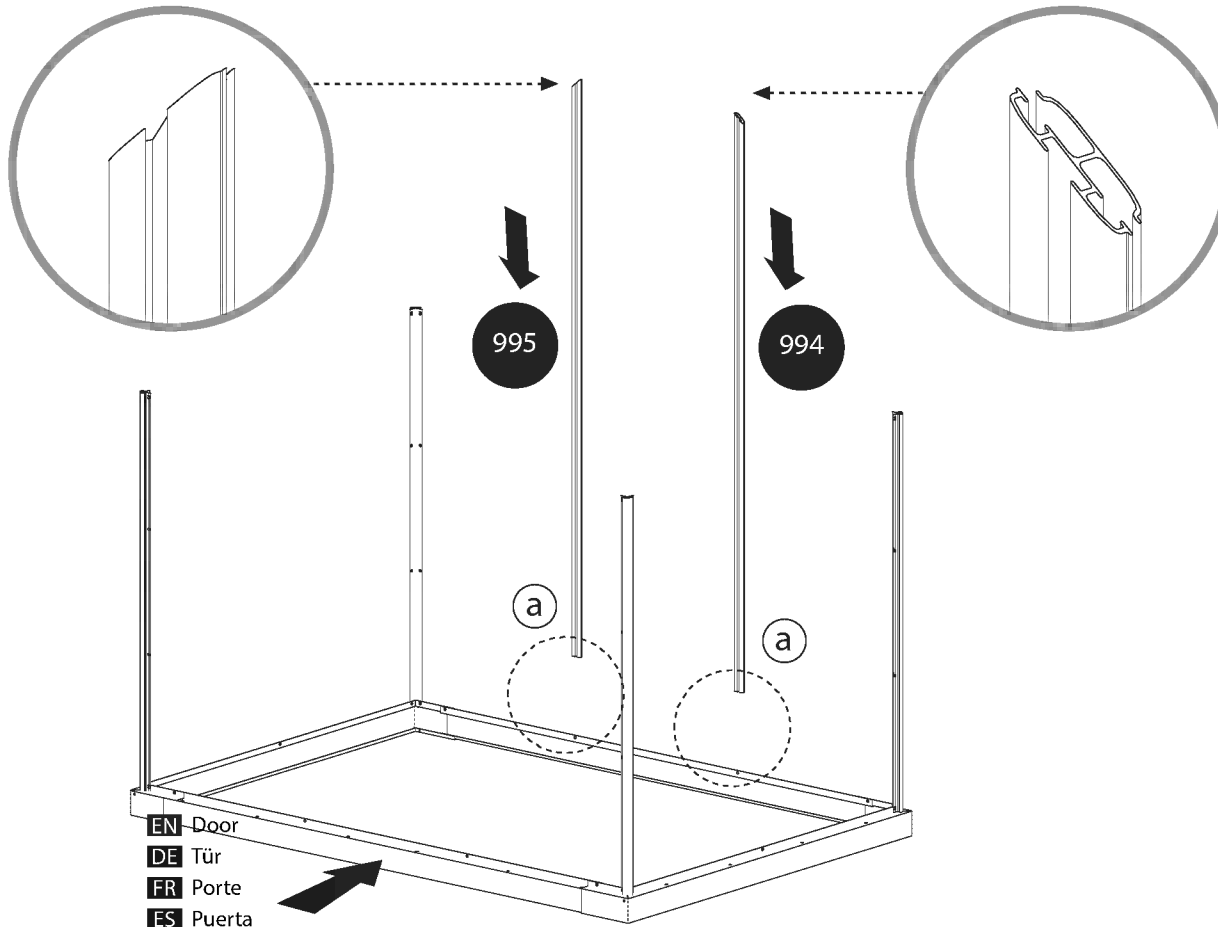


x1

995



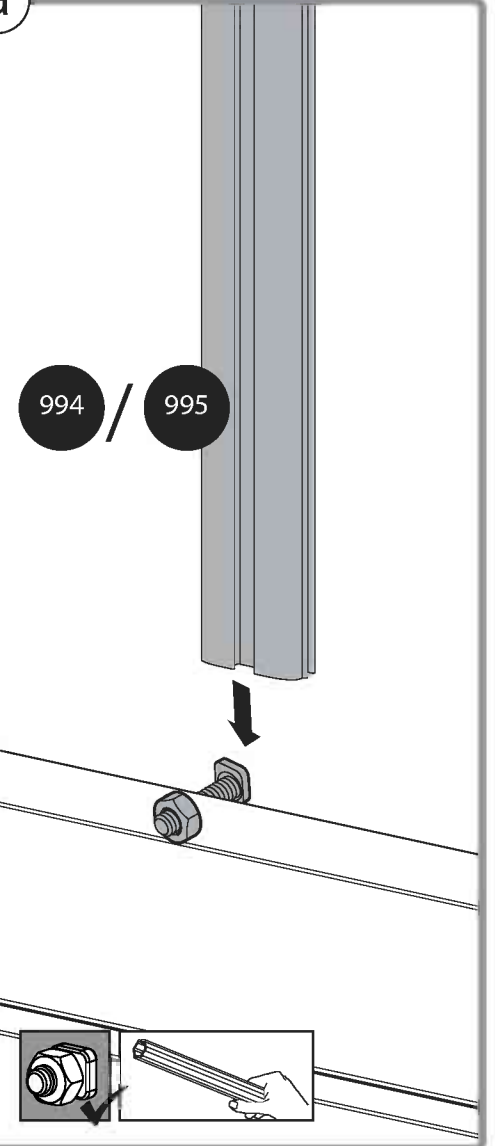
x1

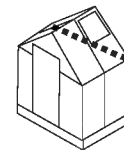


a

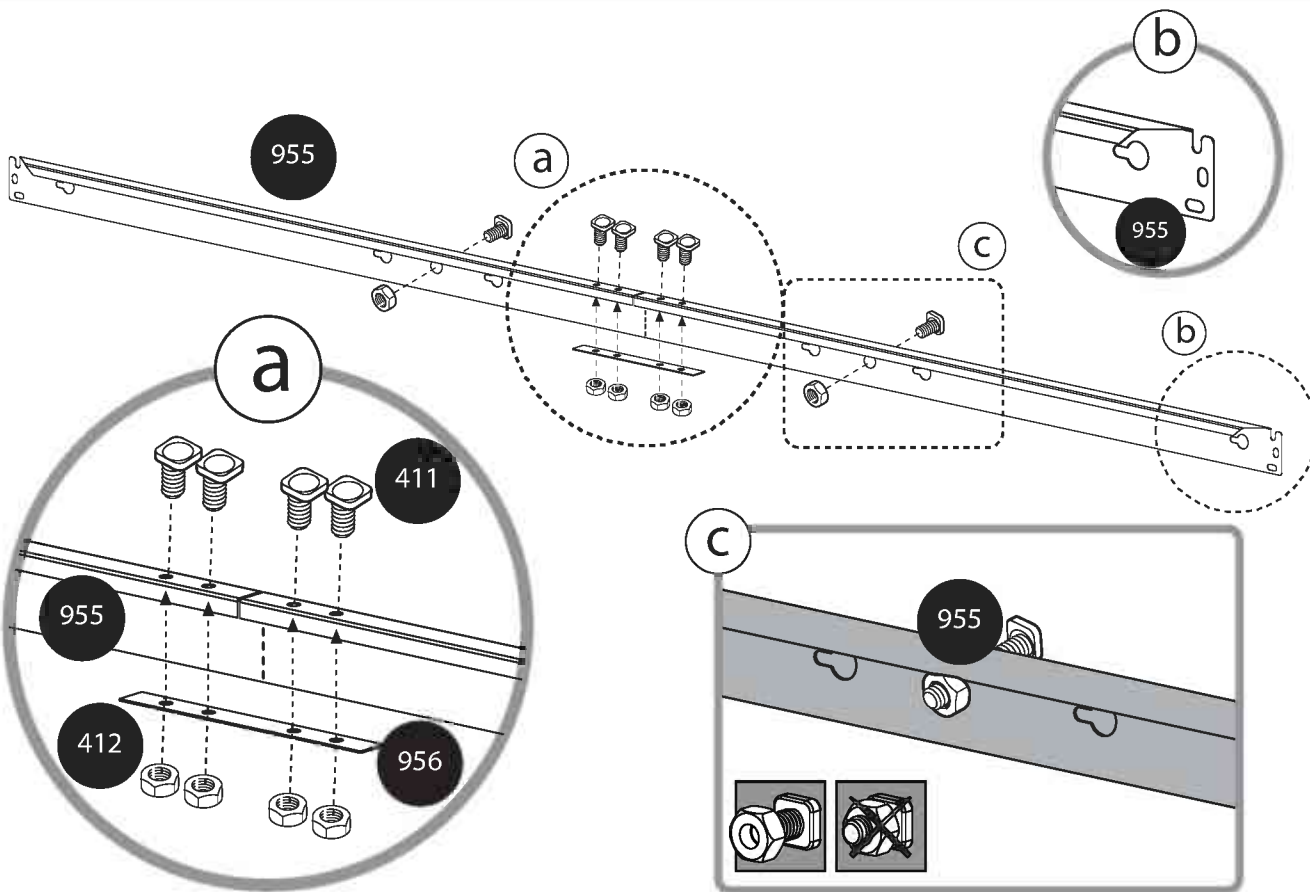
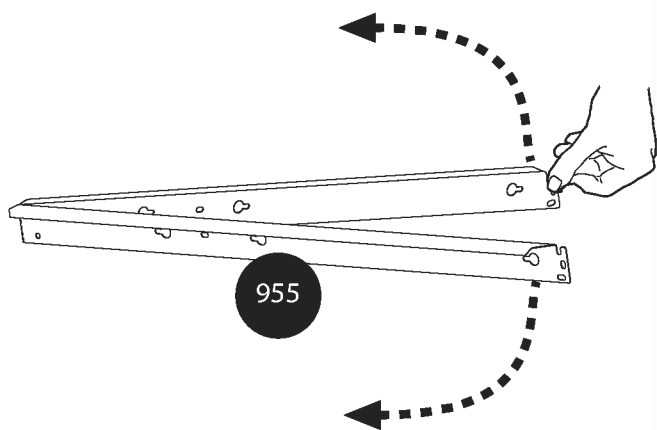
994

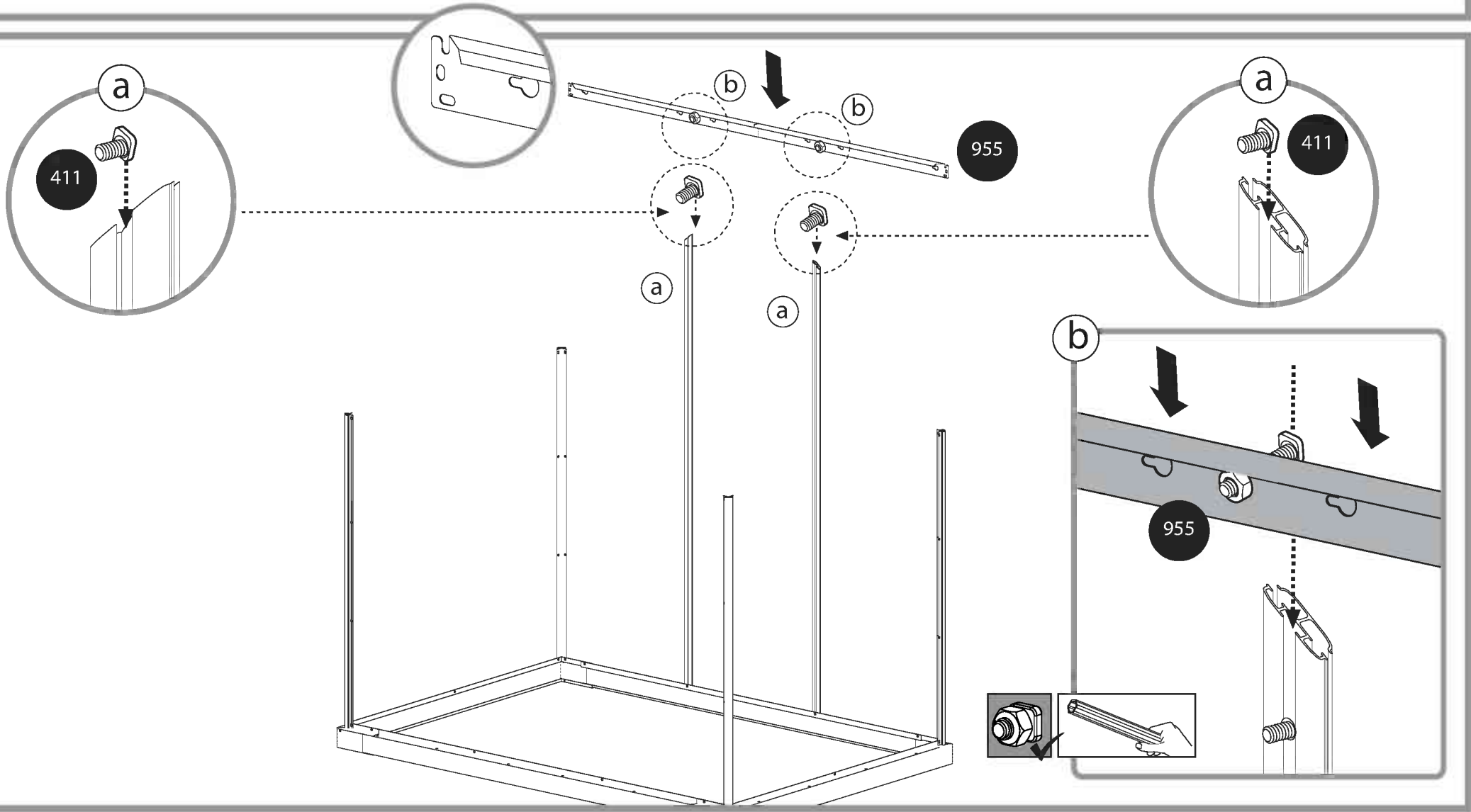
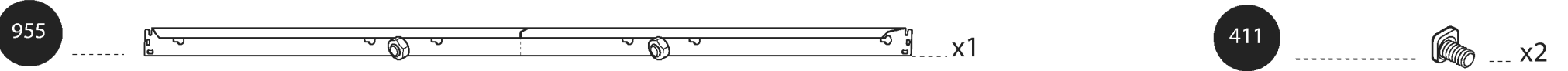
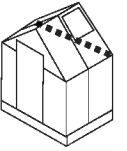
995

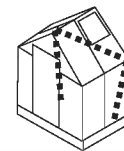




- 955 x1
- 956 x1
- 412 x6
- 411 x6







256



x2

412

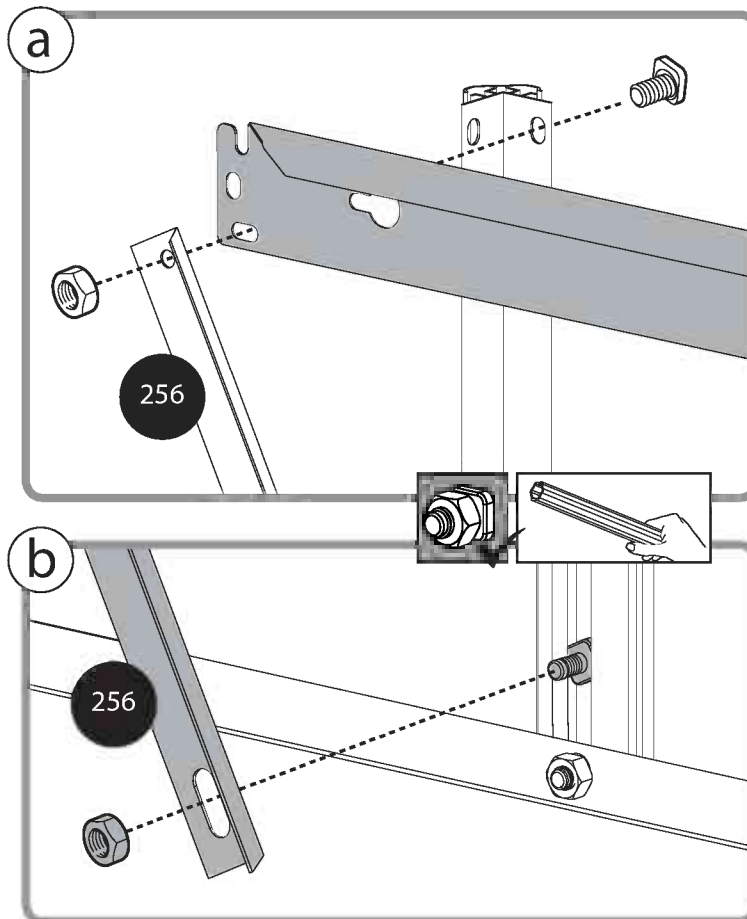
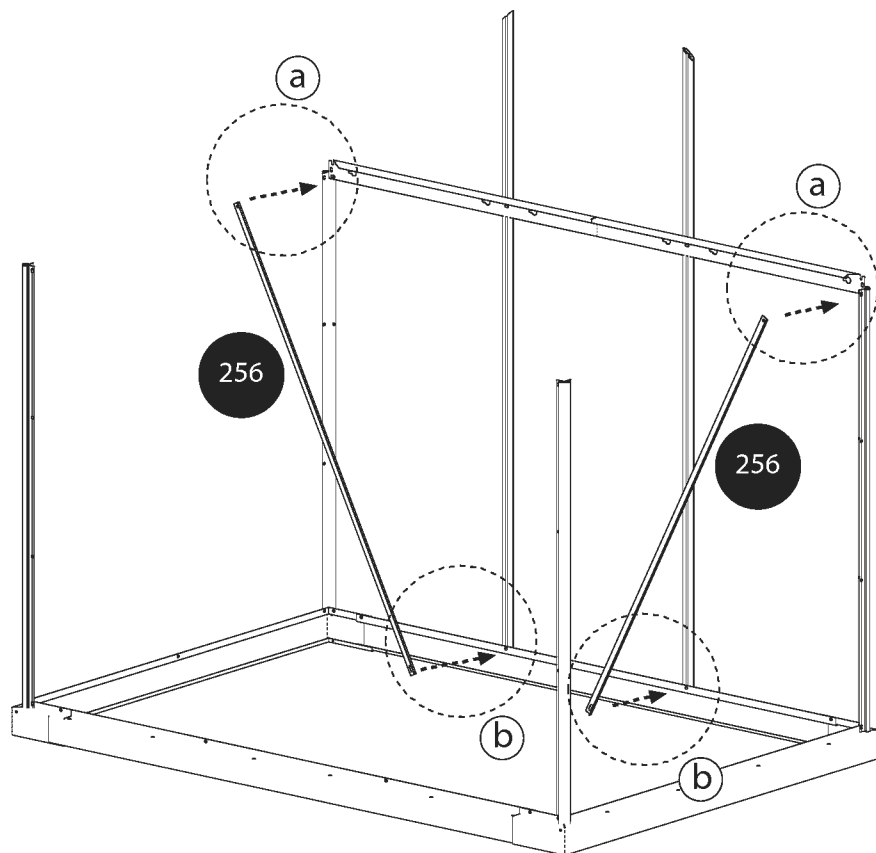


x4

411

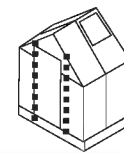


x2

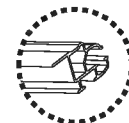
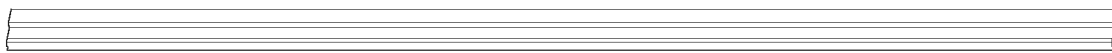


9

i

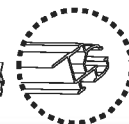
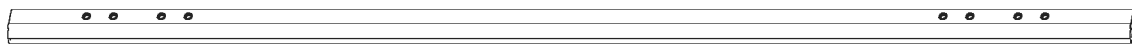


988

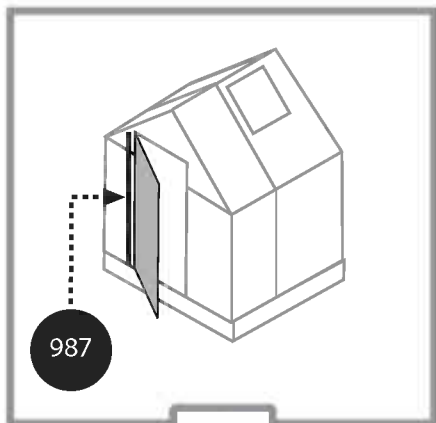


...x1

987

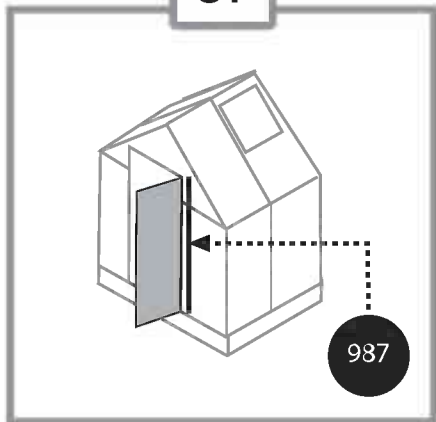


...x1

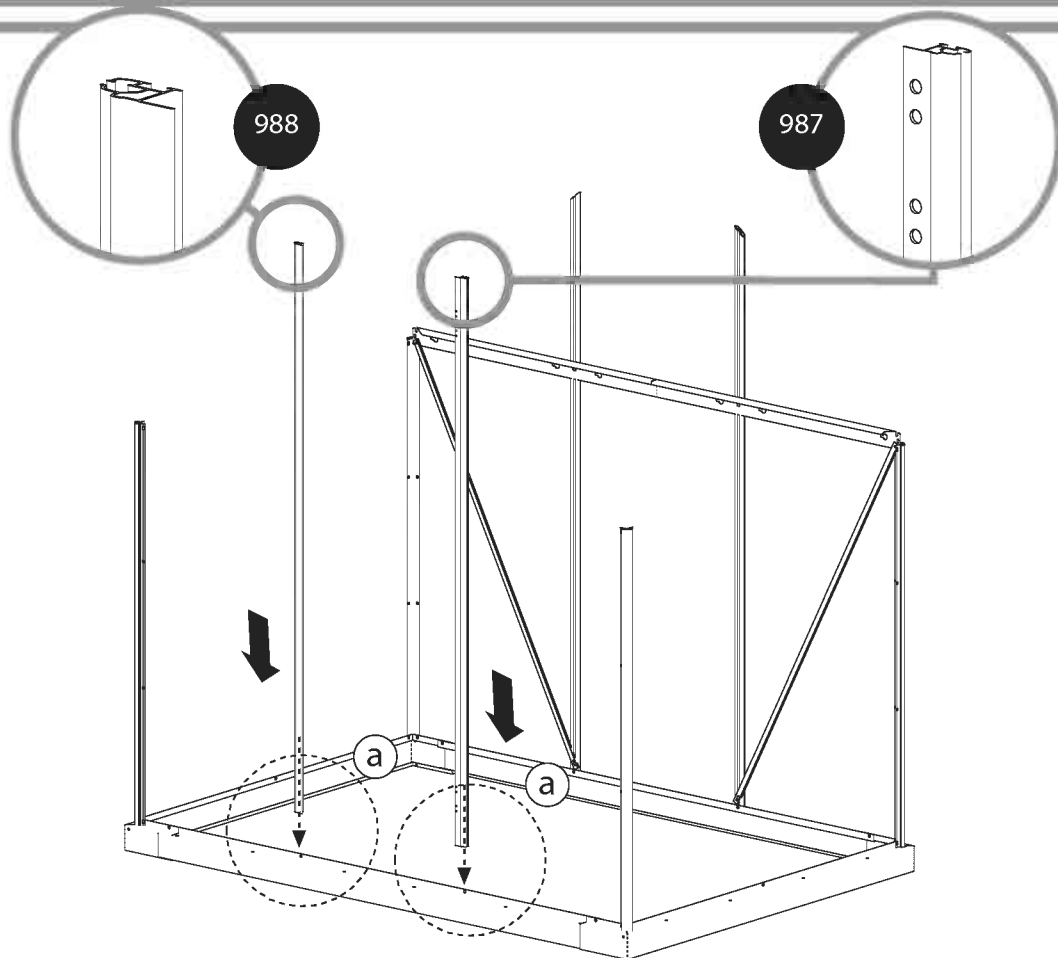


987

or

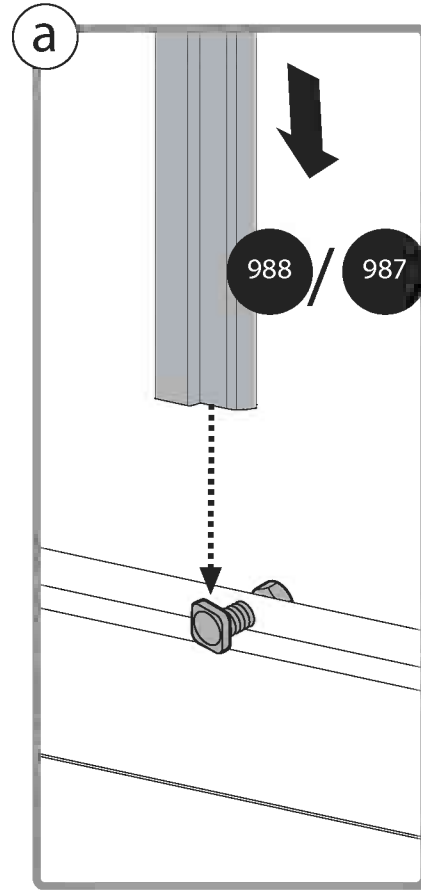


987



988

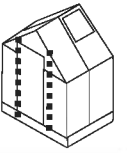
987



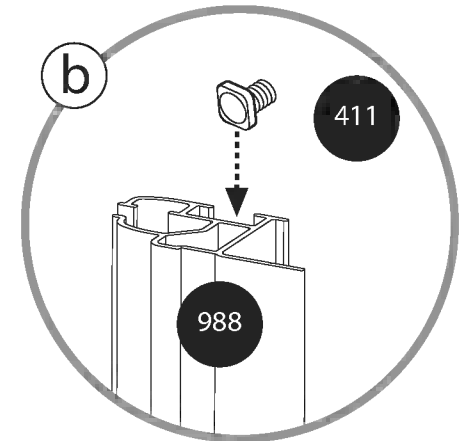
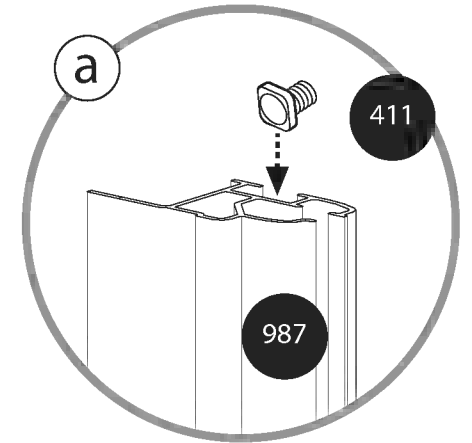
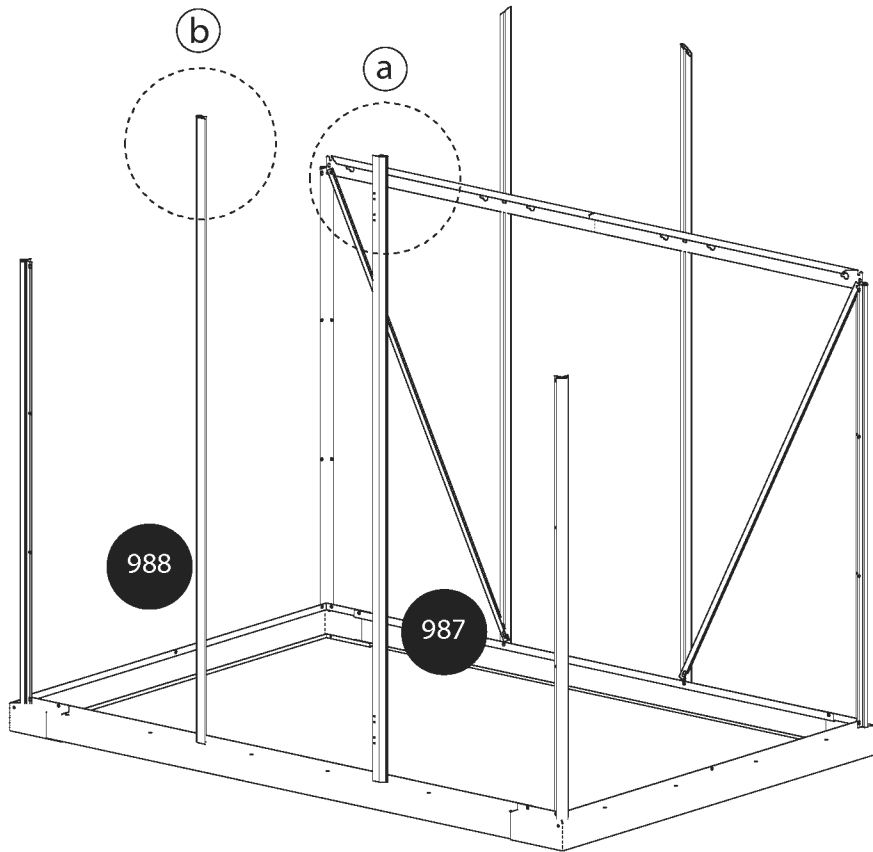
a

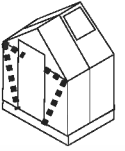
988

987



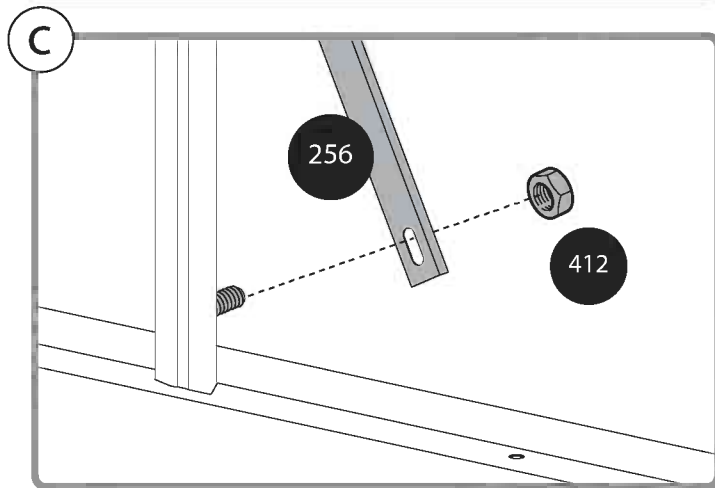
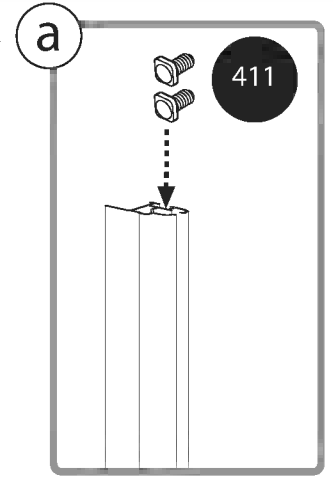
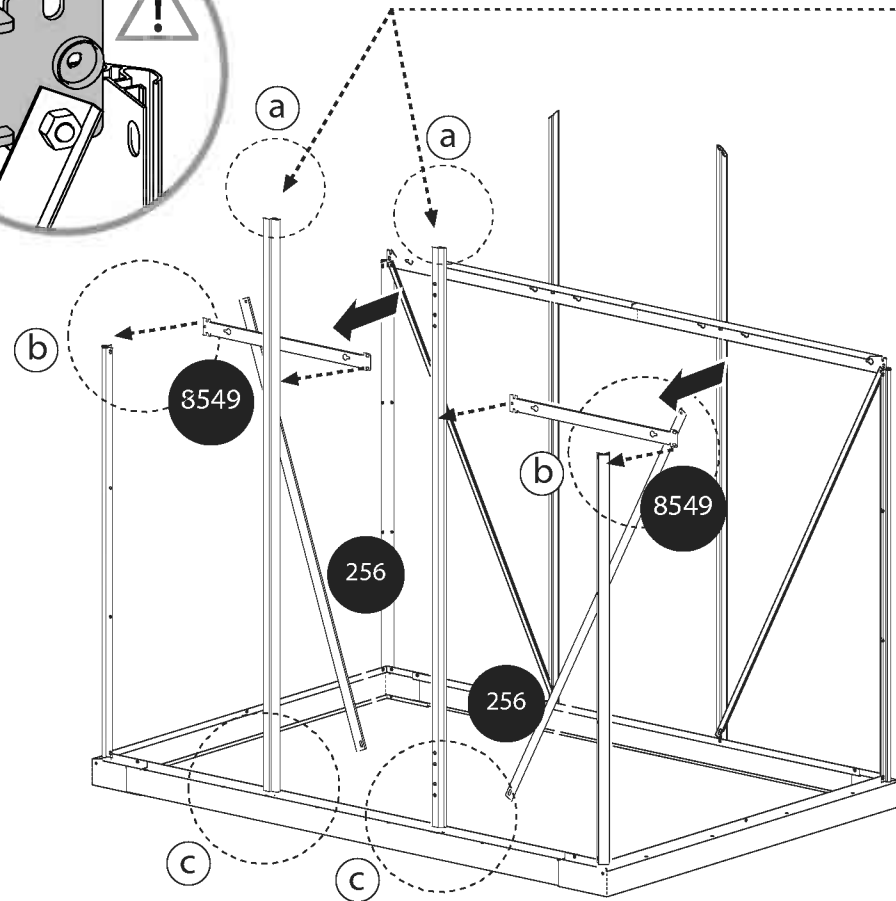
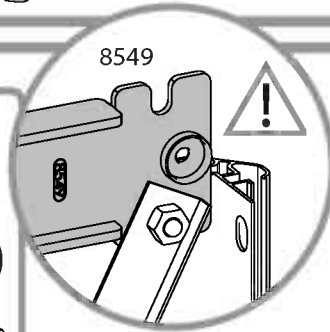
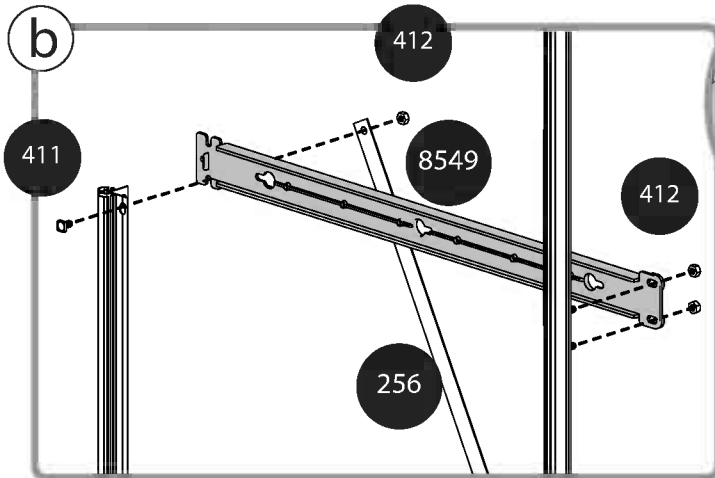
411  x2

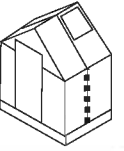




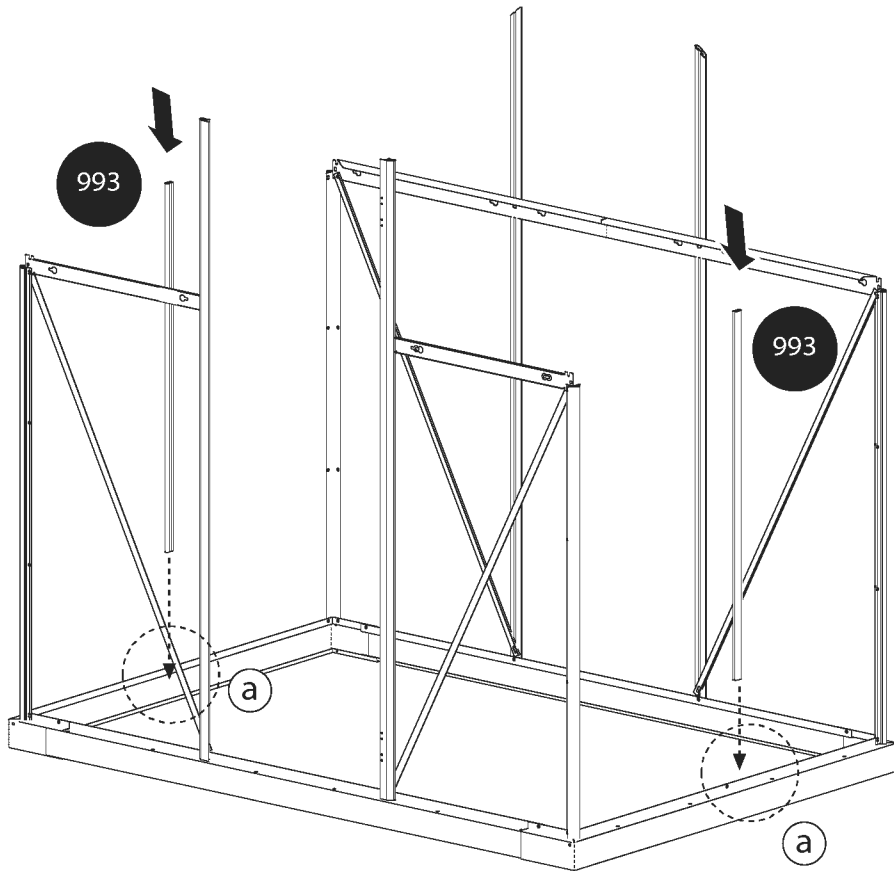
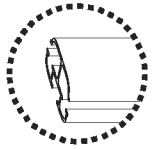
- 256x2
- 8549x2

- 412x8
- 411x6

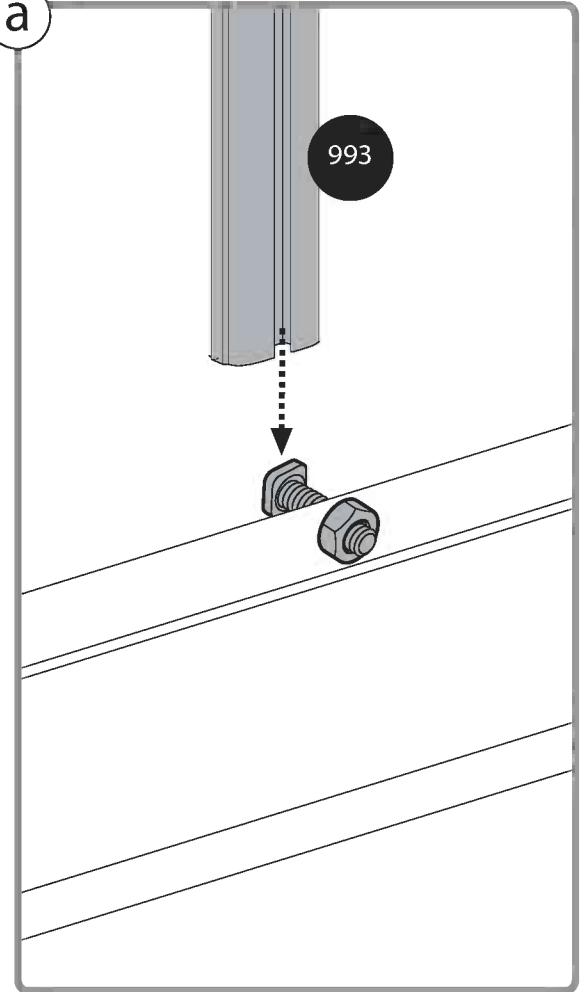


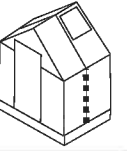


993



a





411

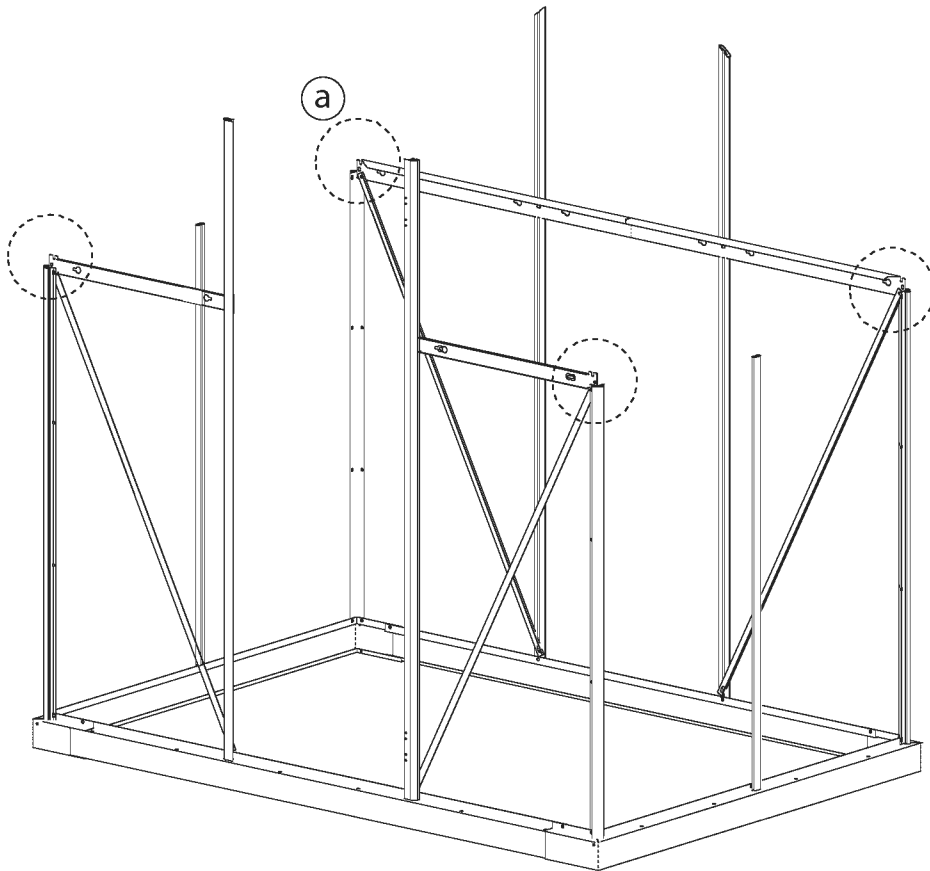


x4

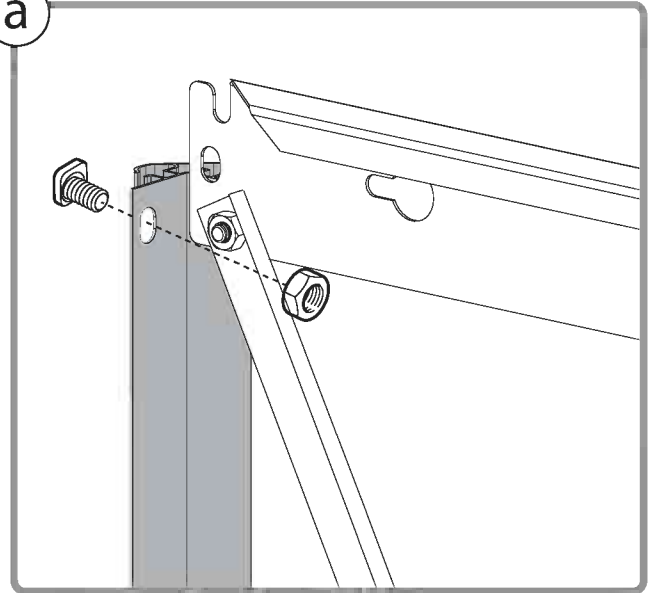
412

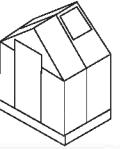


x4

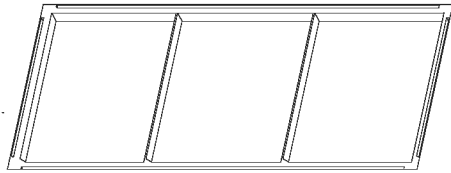


a

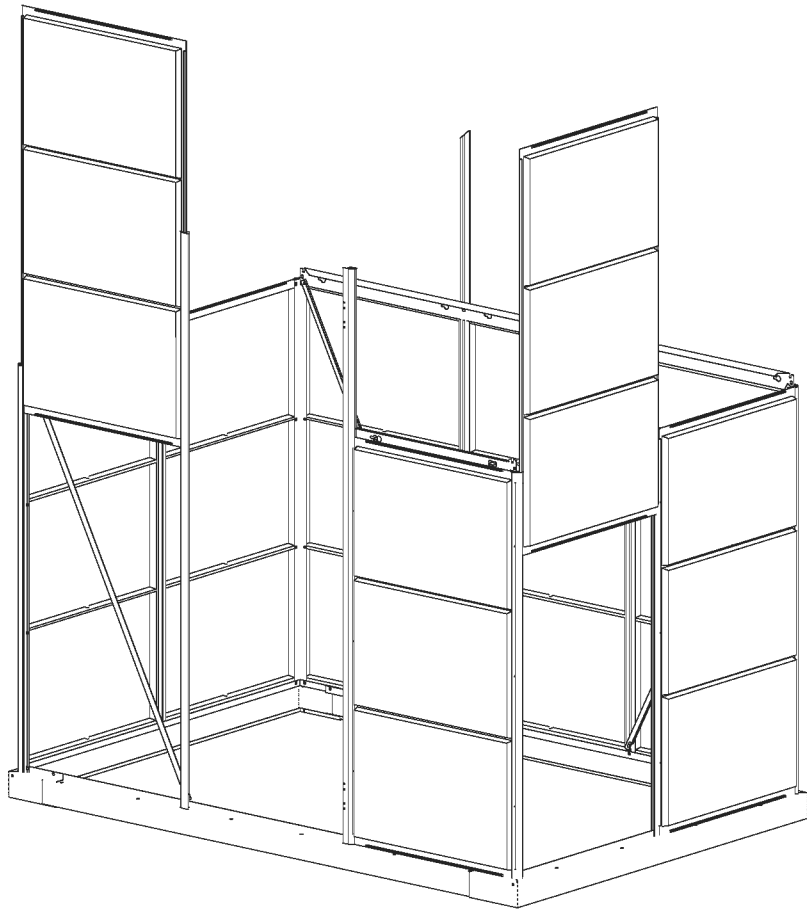




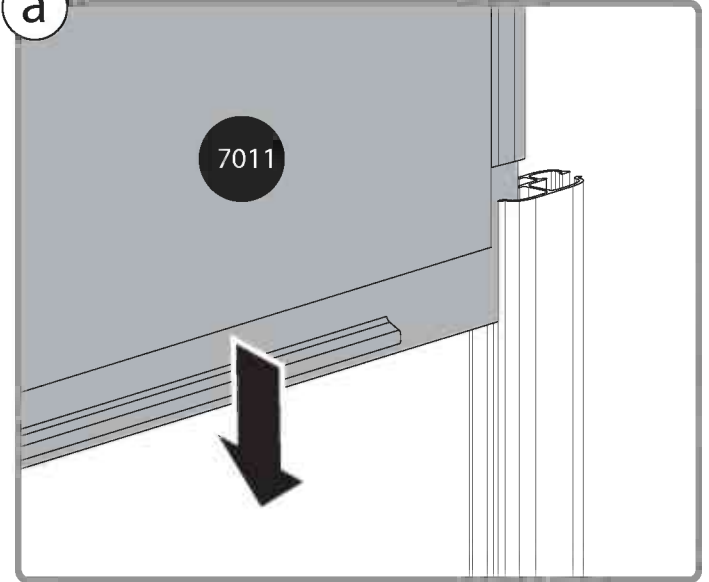
7011



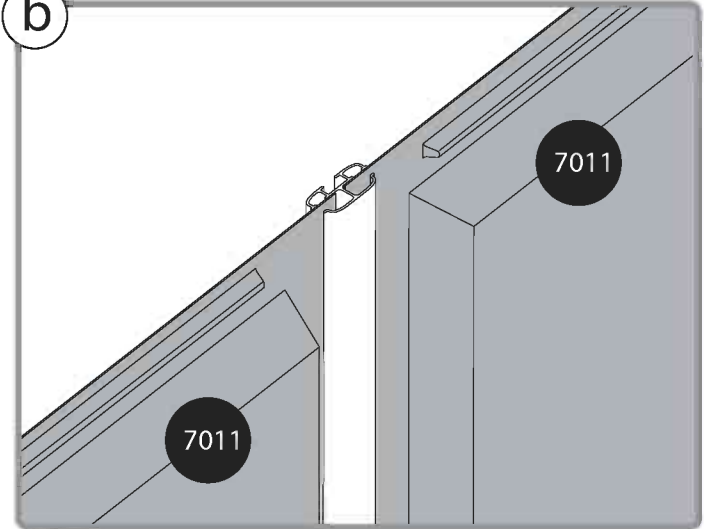
x9

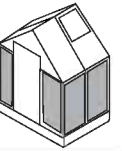


a

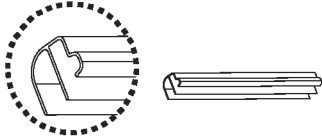


b

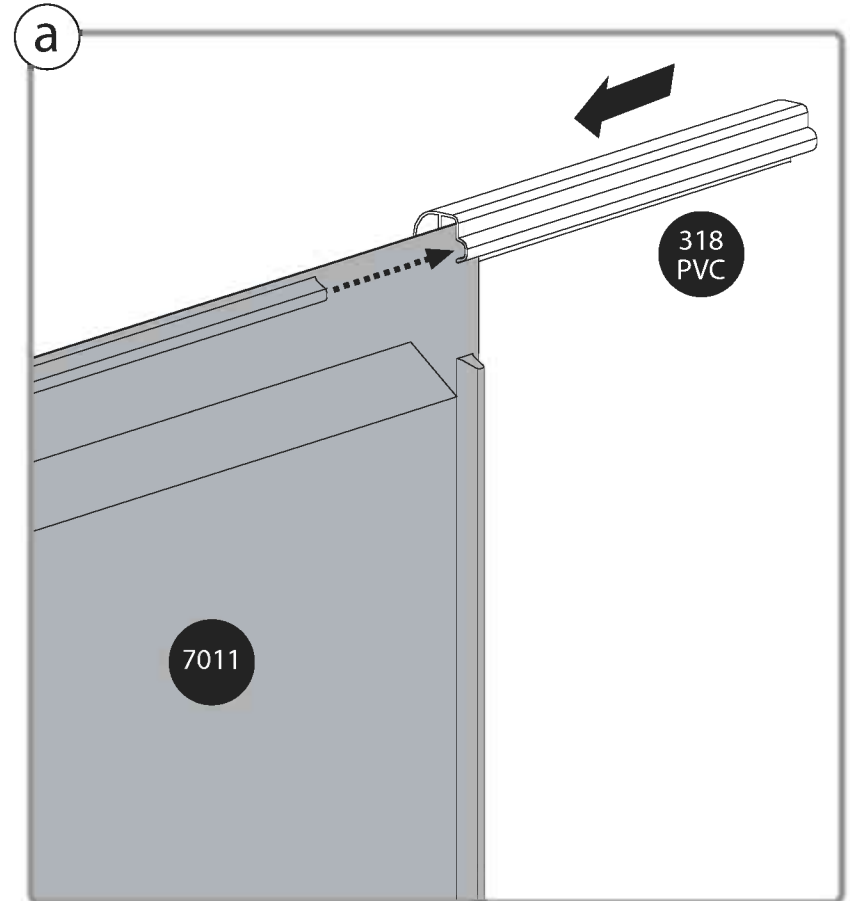
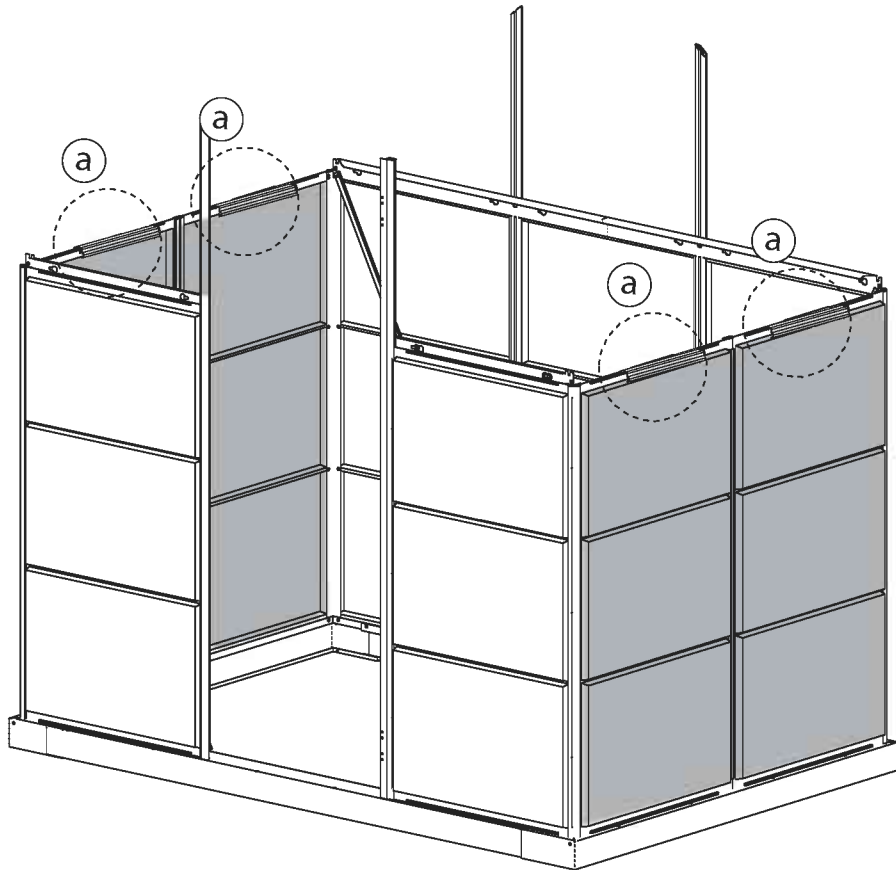


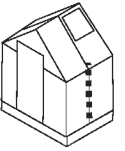


318
PVC




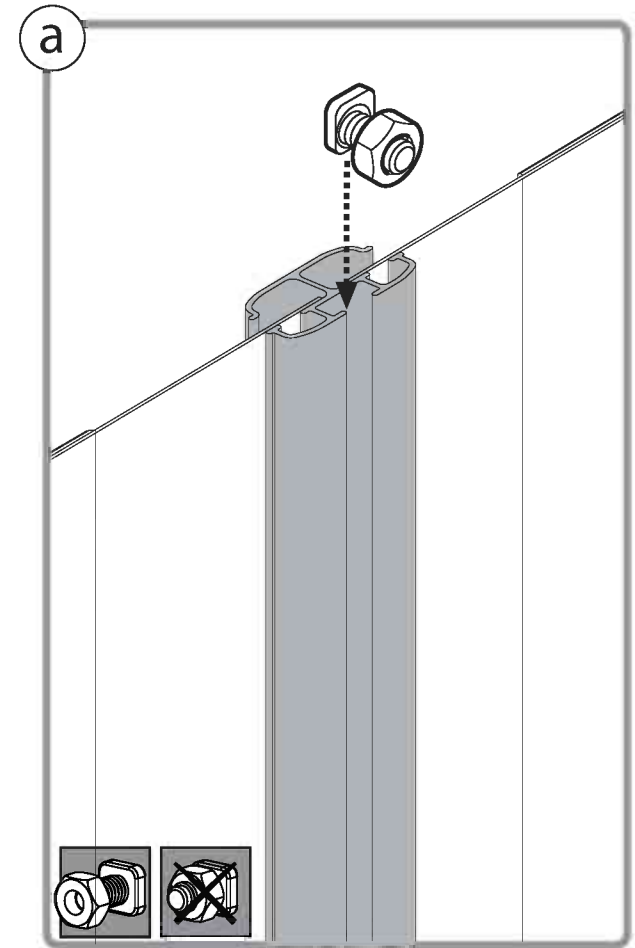
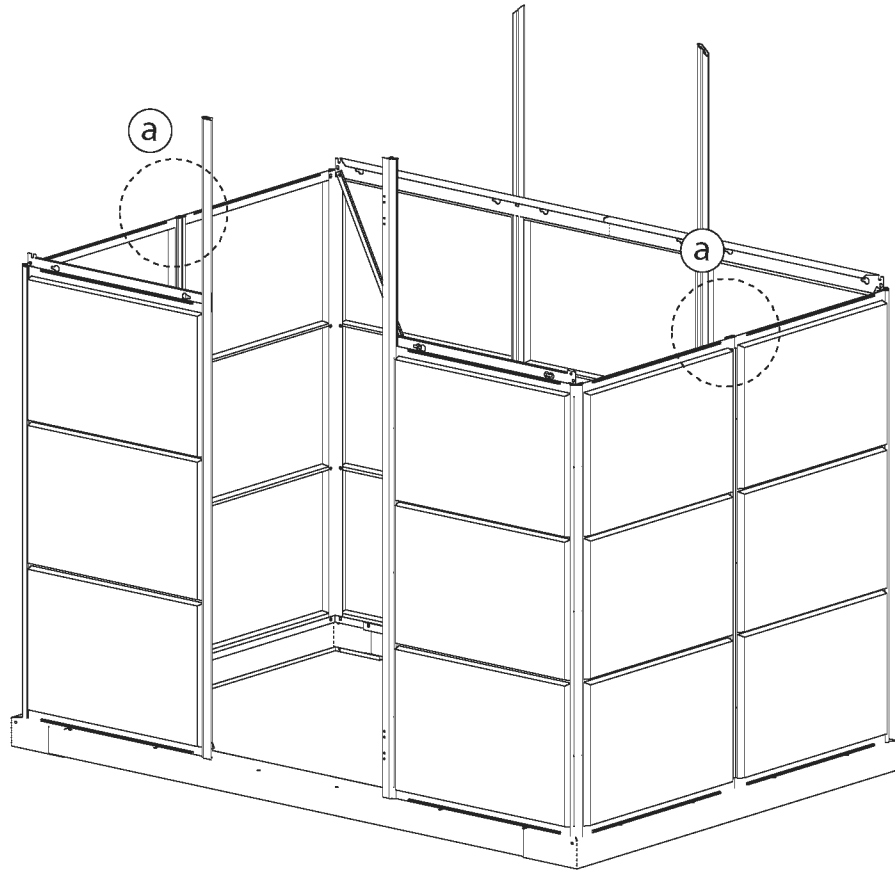
x4

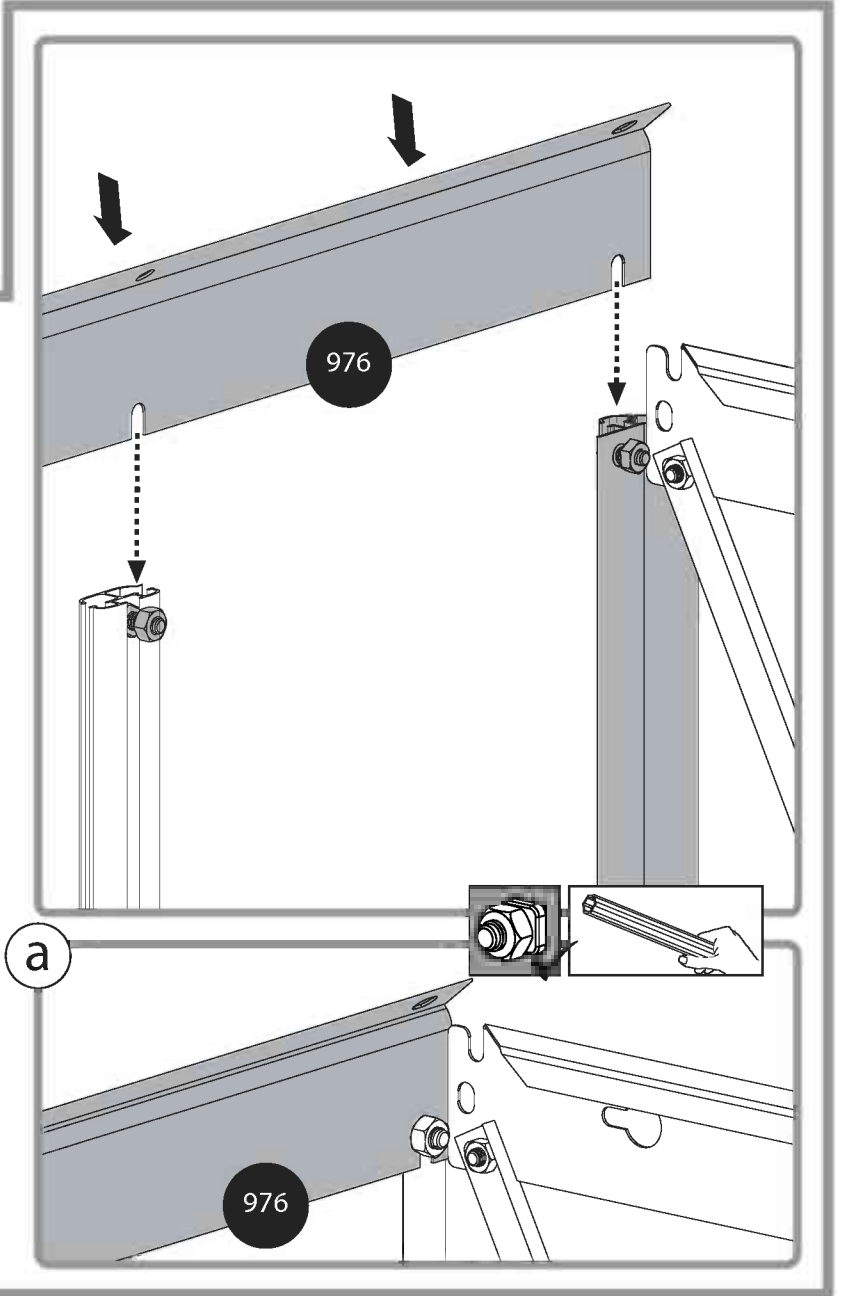
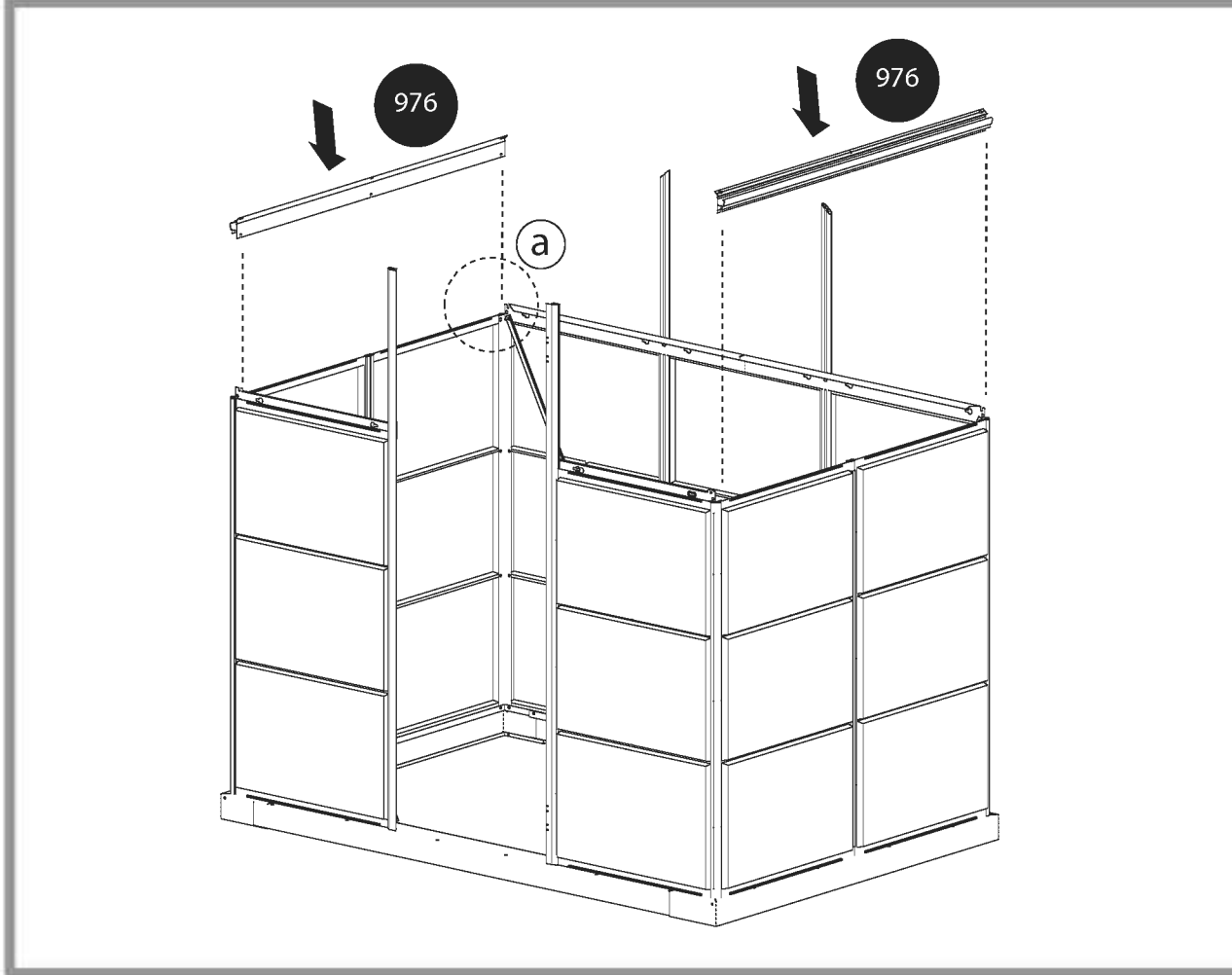
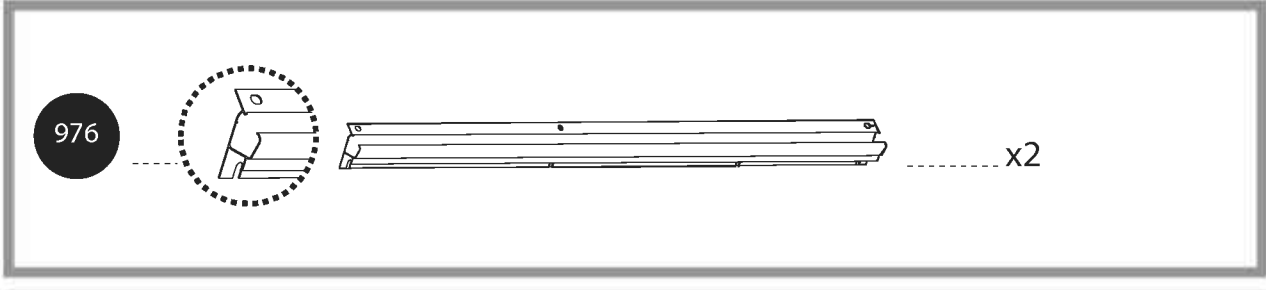
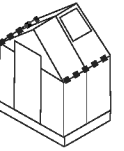


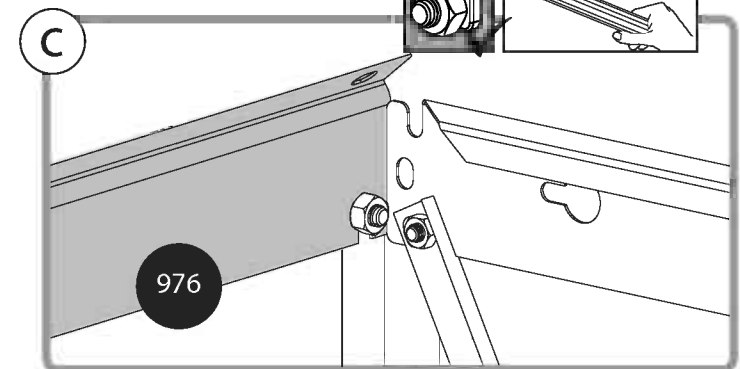
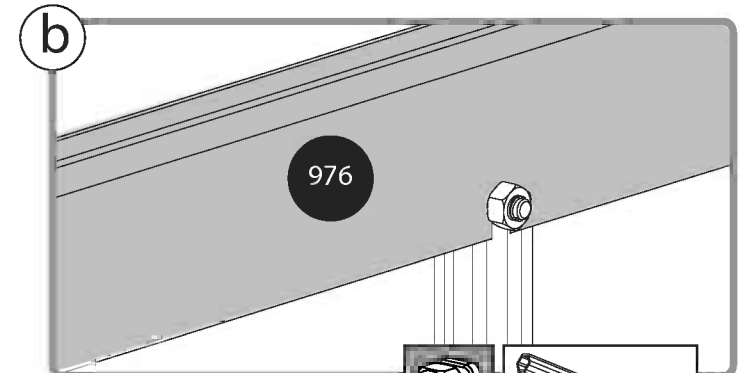
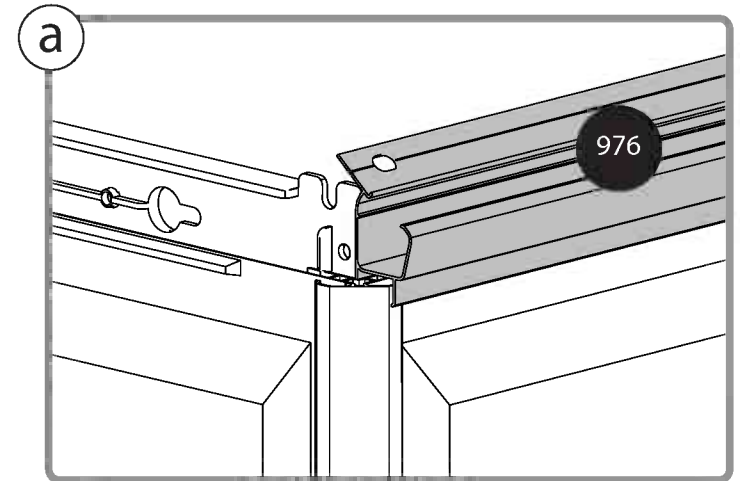
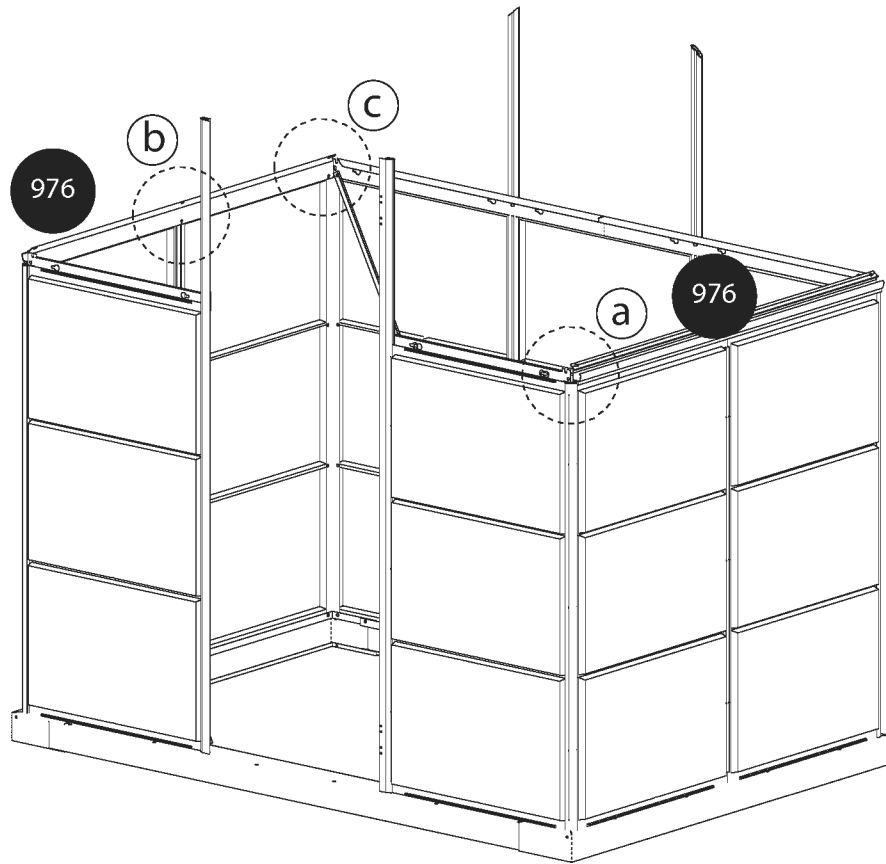
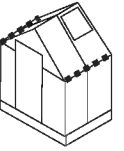


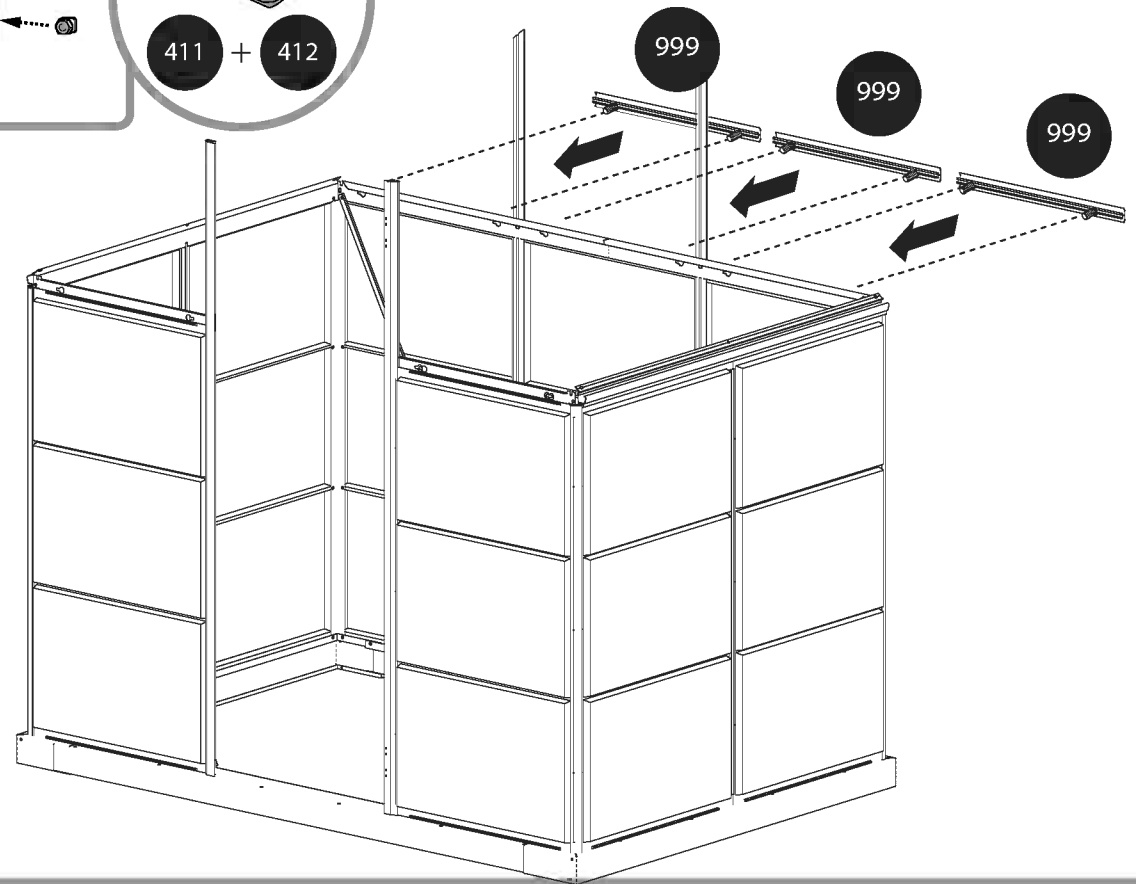
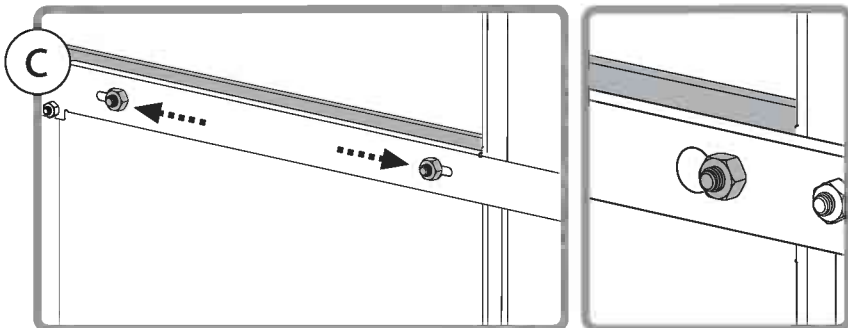
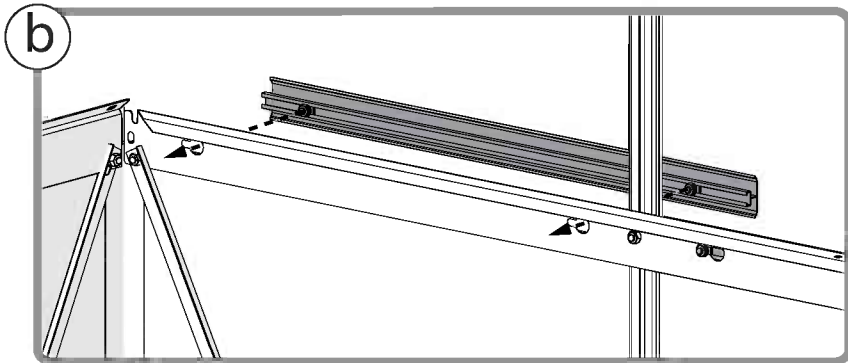
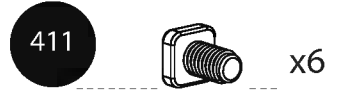
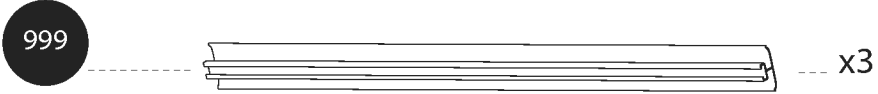
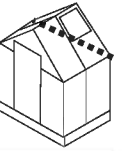
412  x2

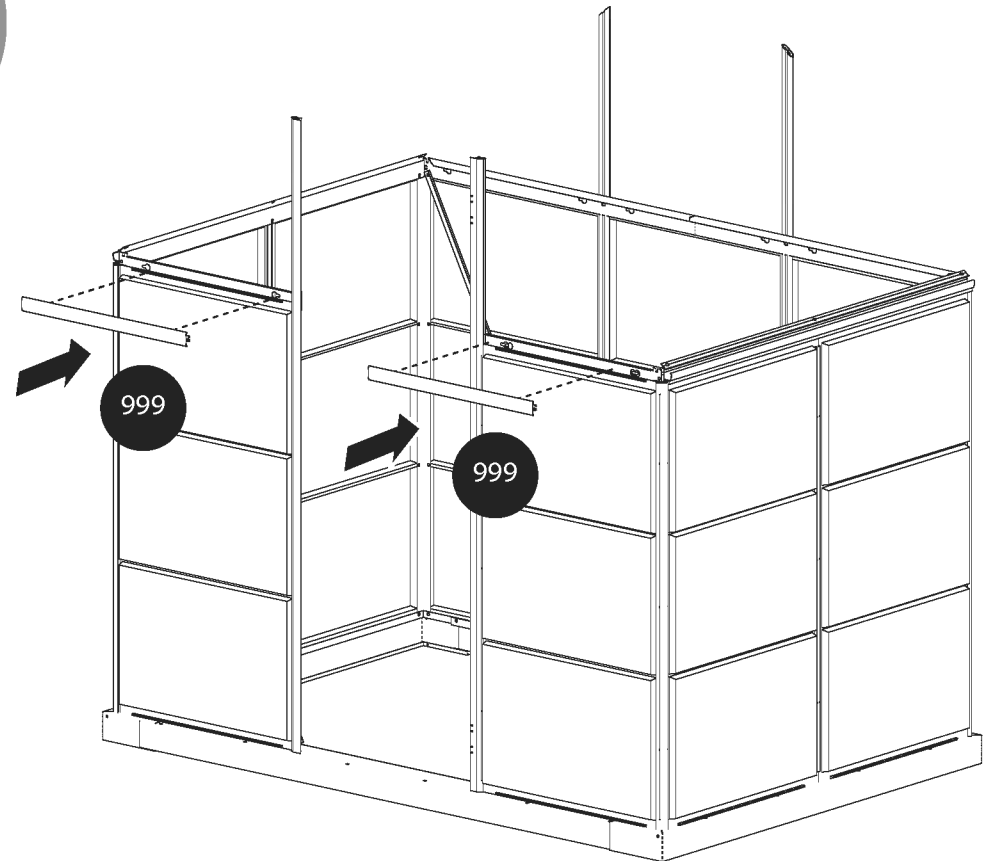
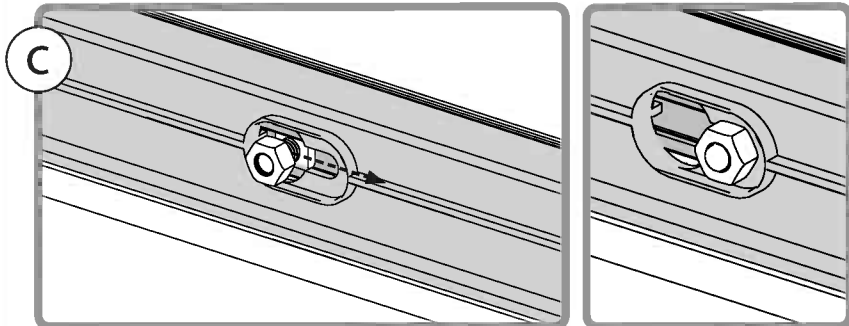
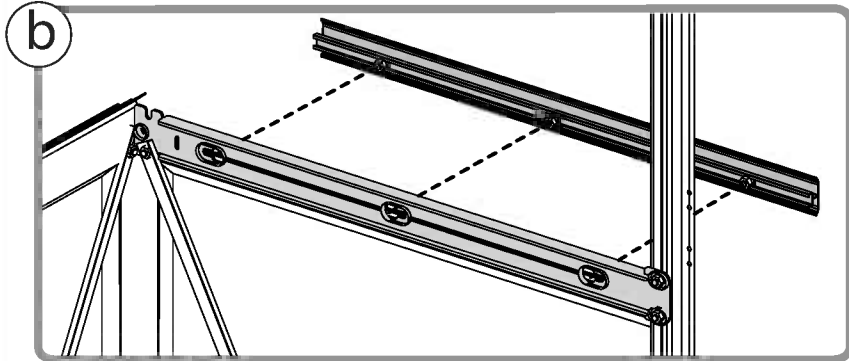
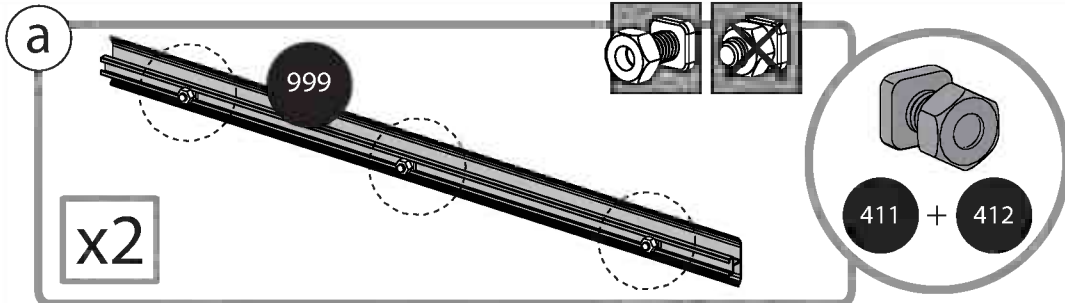
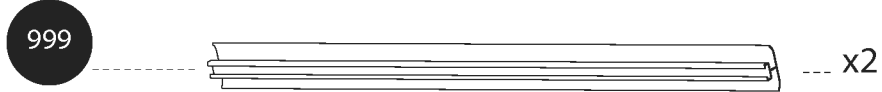
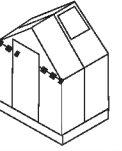
411  x2

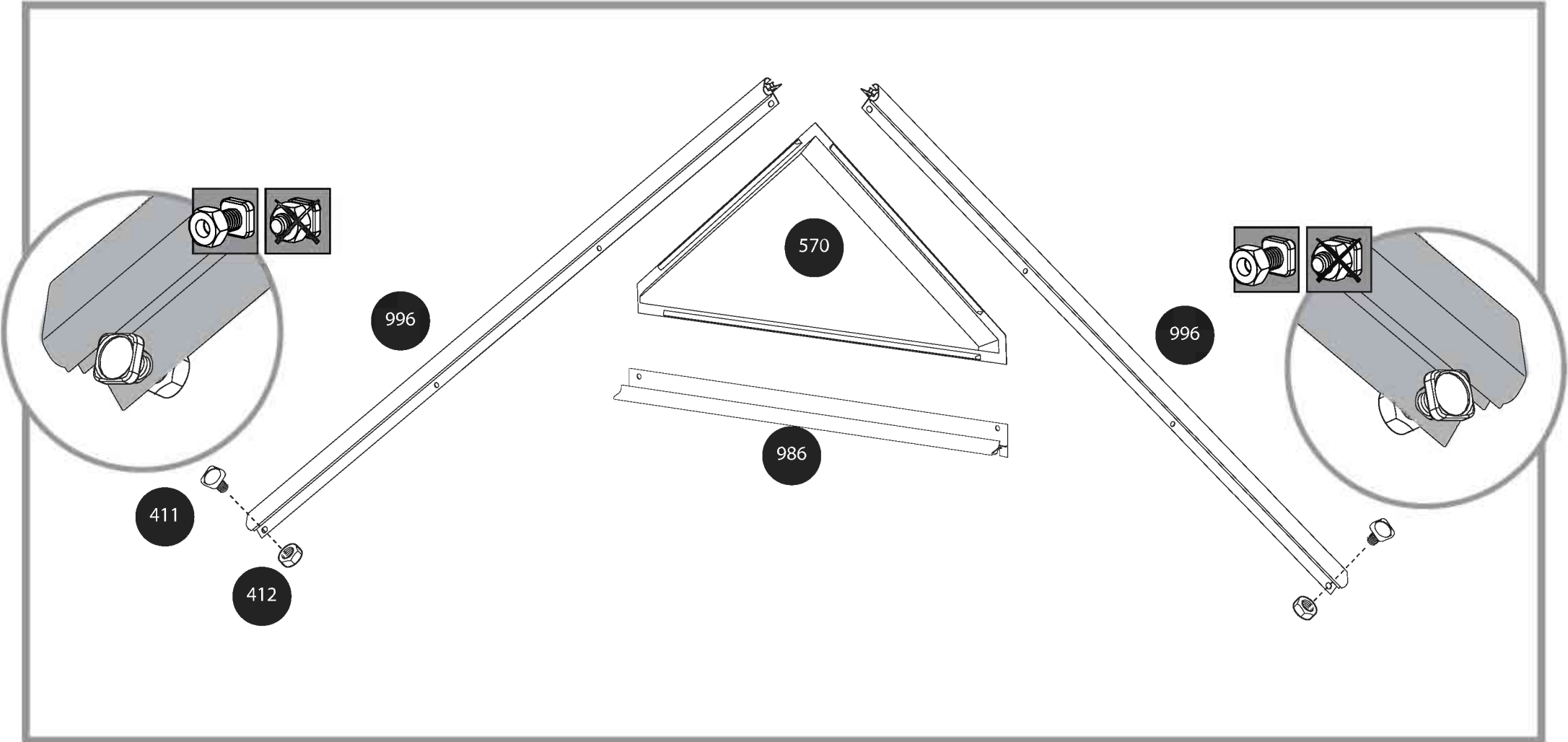
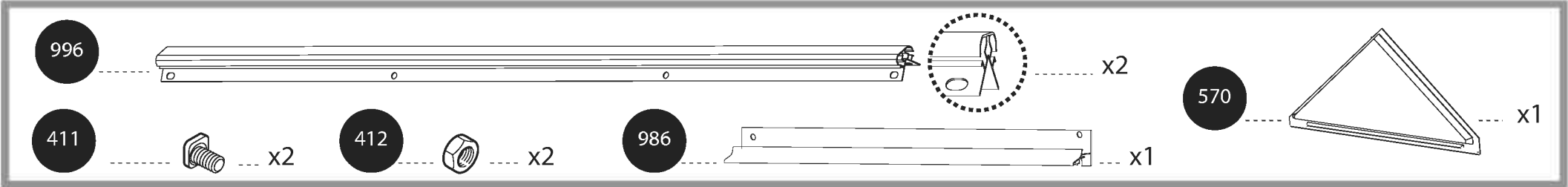
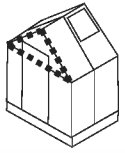


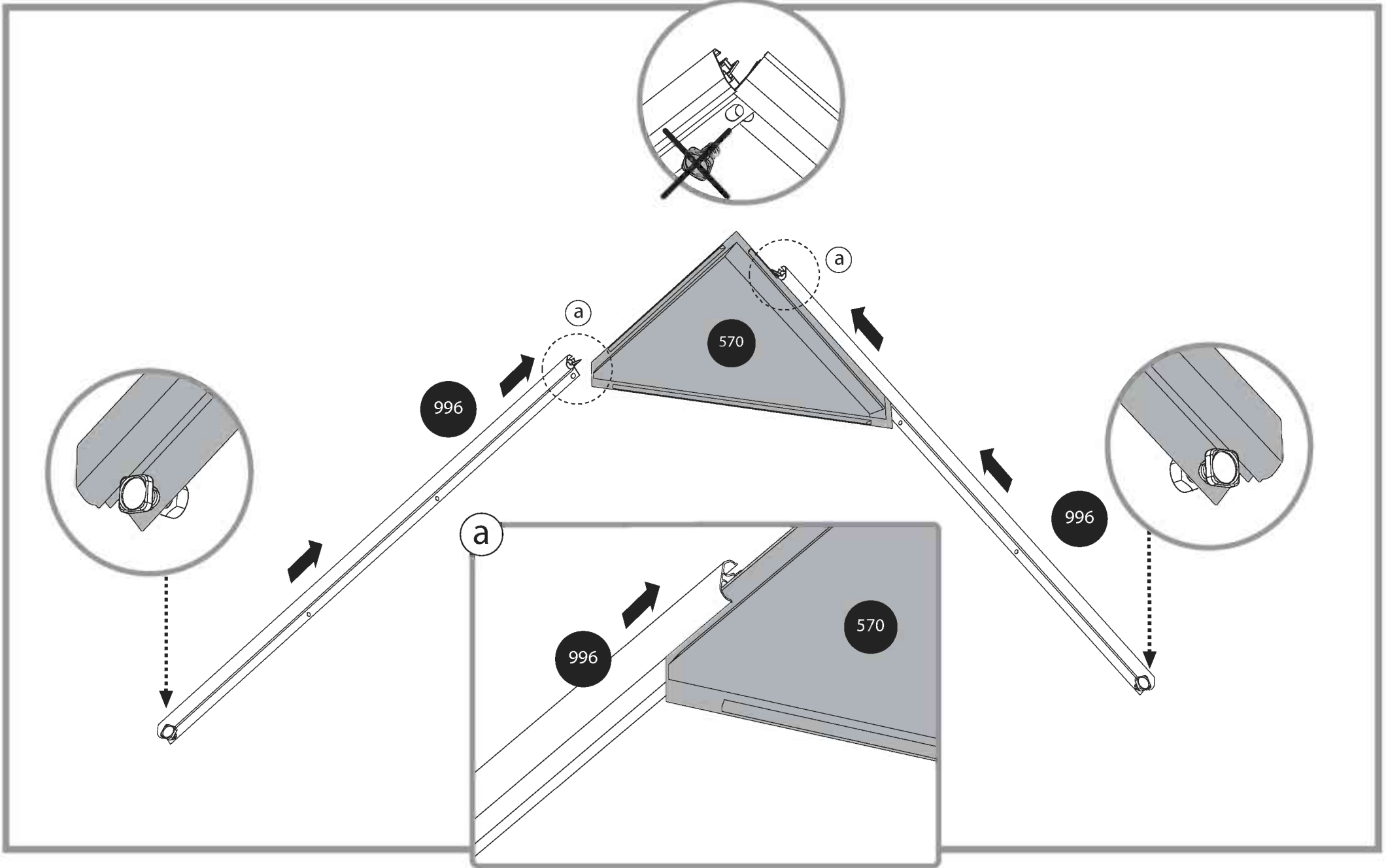
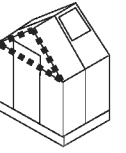


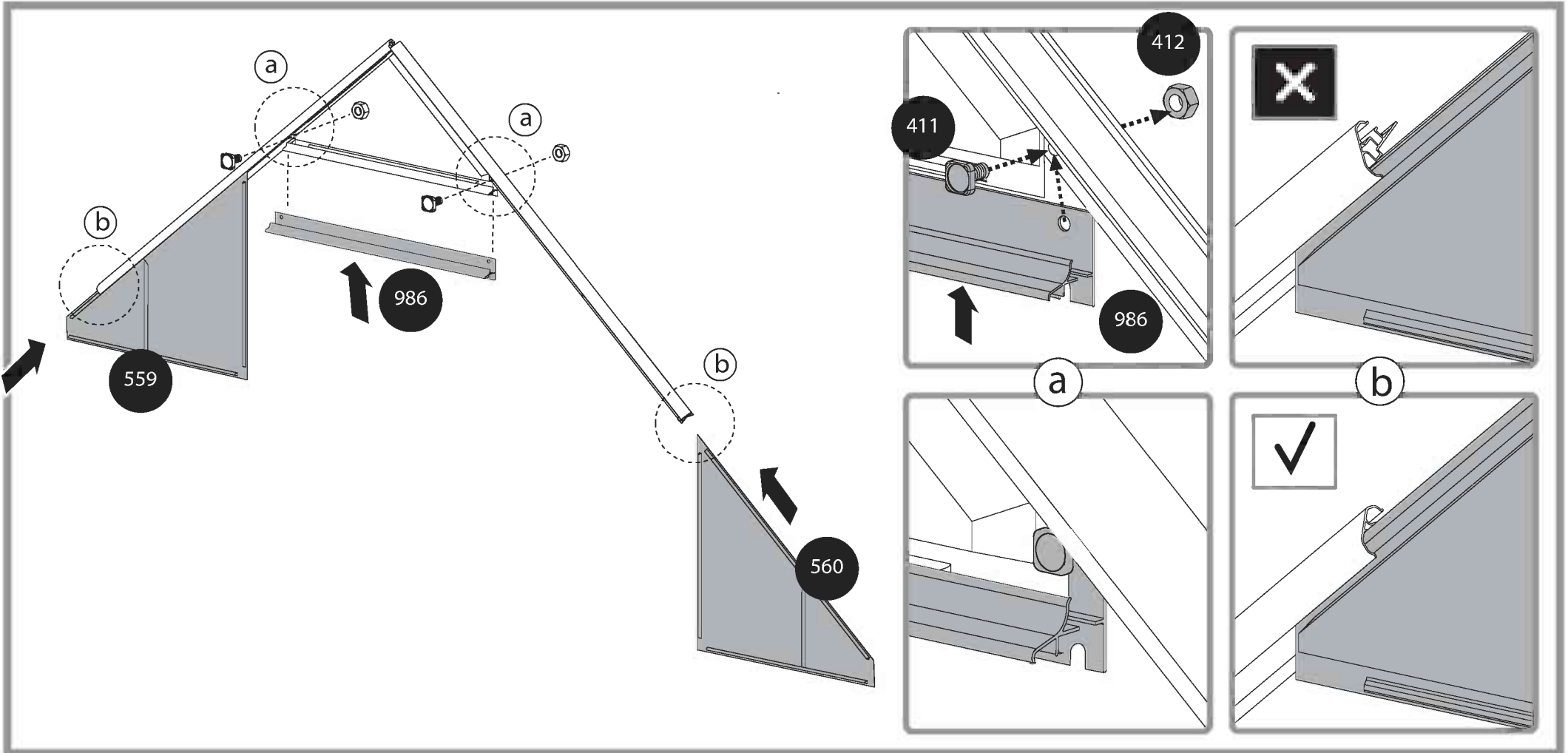
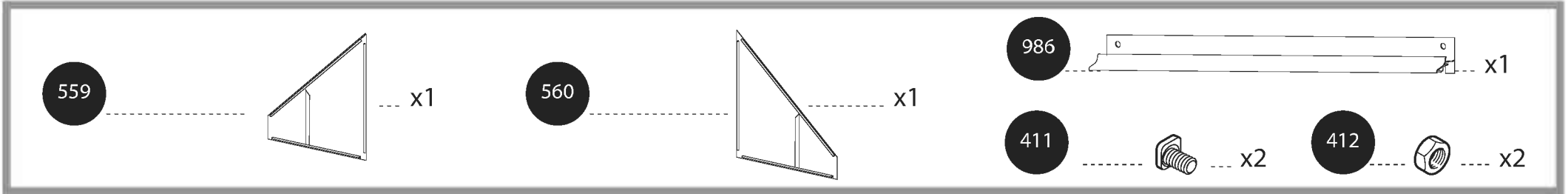
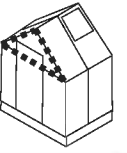


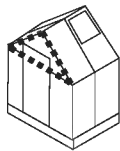






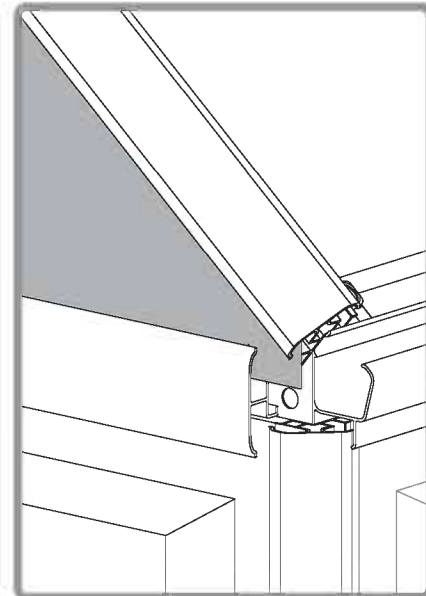
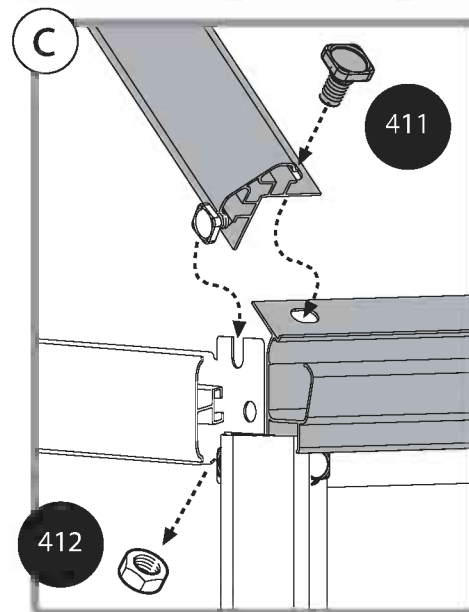
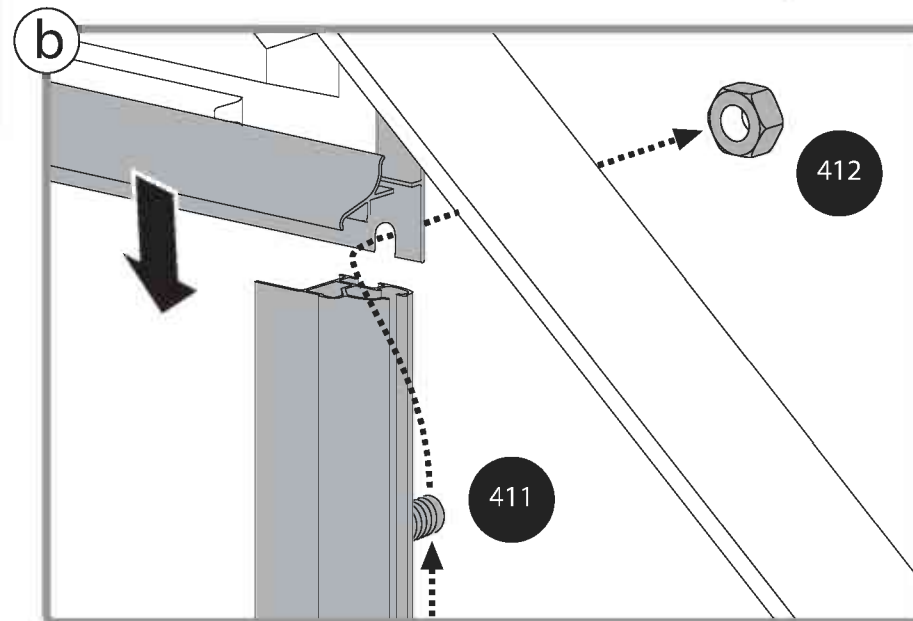
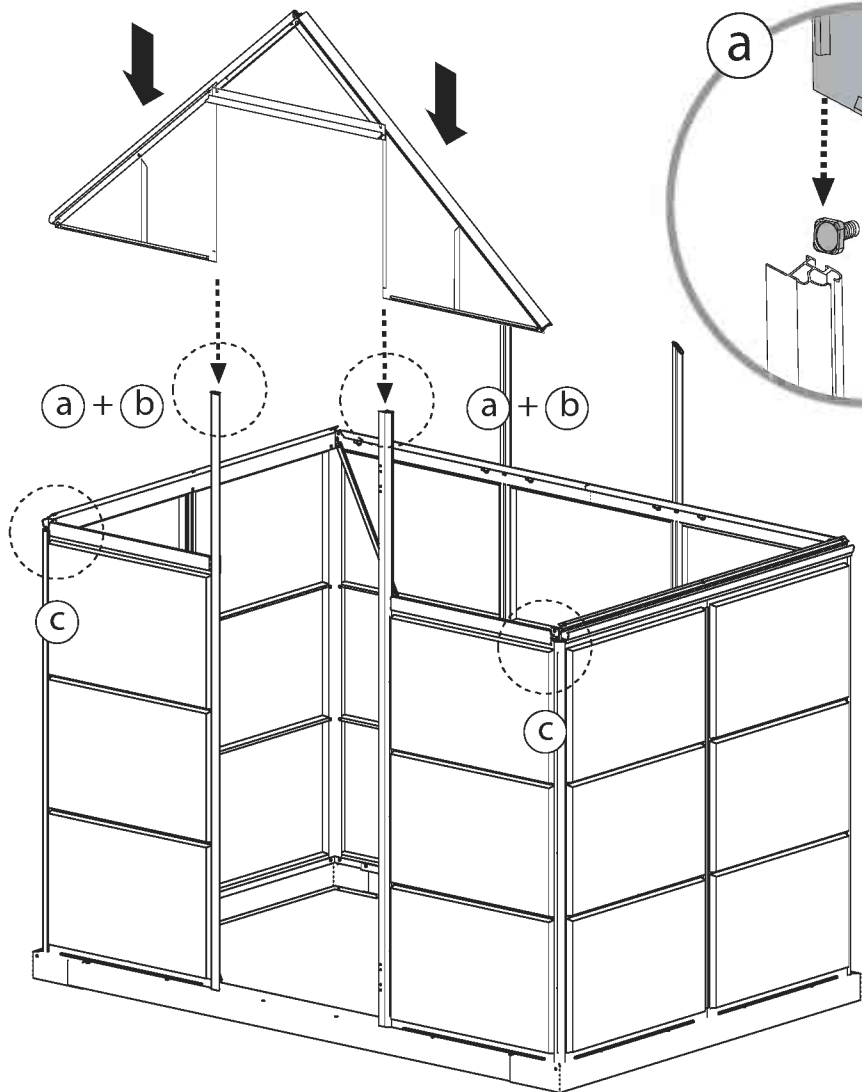


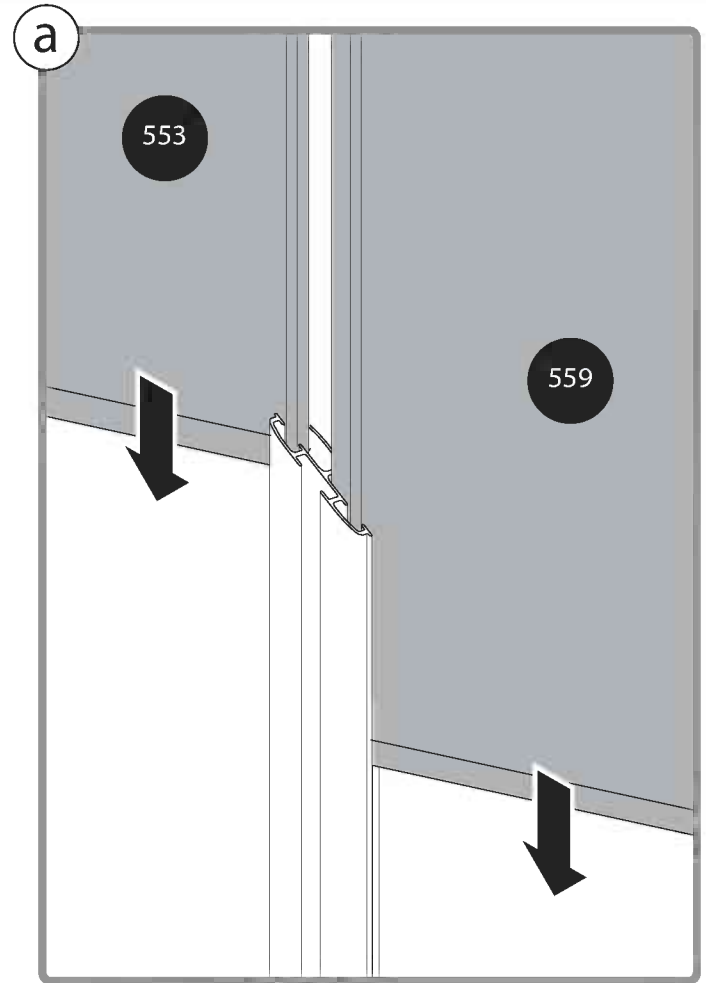
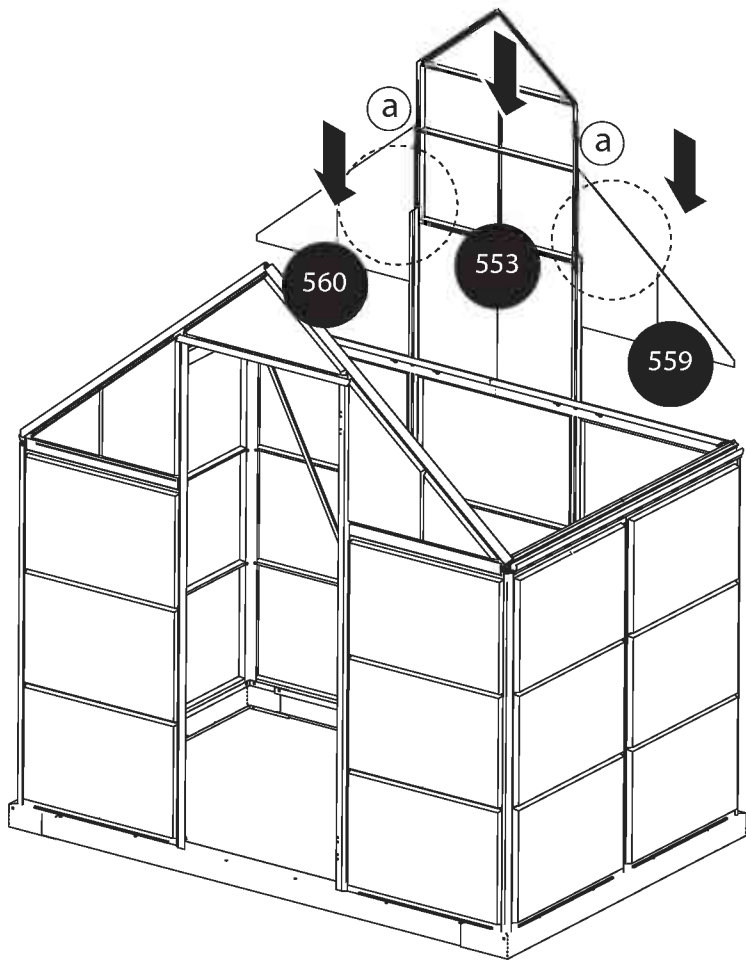
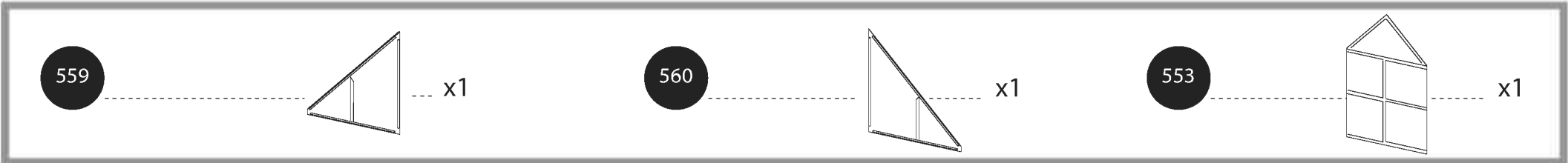
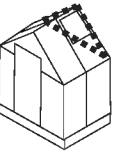


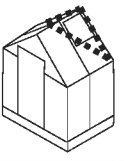


411 x4

412 x4







a

996

412

411

x2

996

x2

412

411

x4

x4

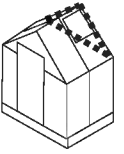
b

996

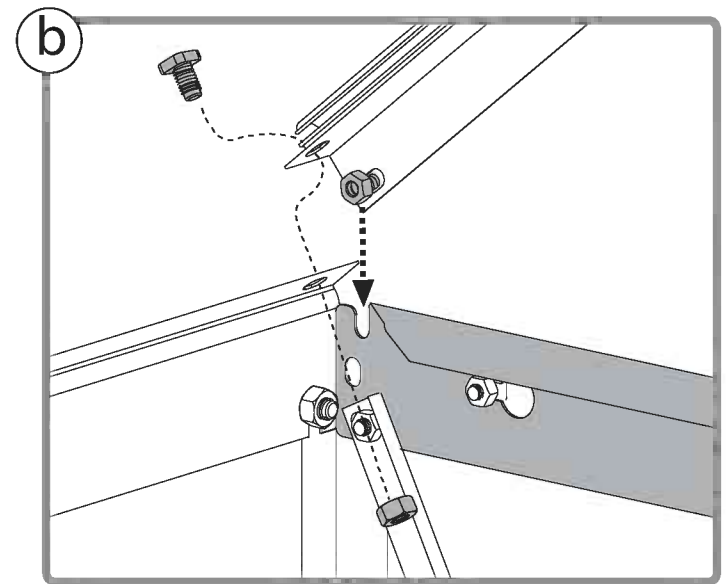
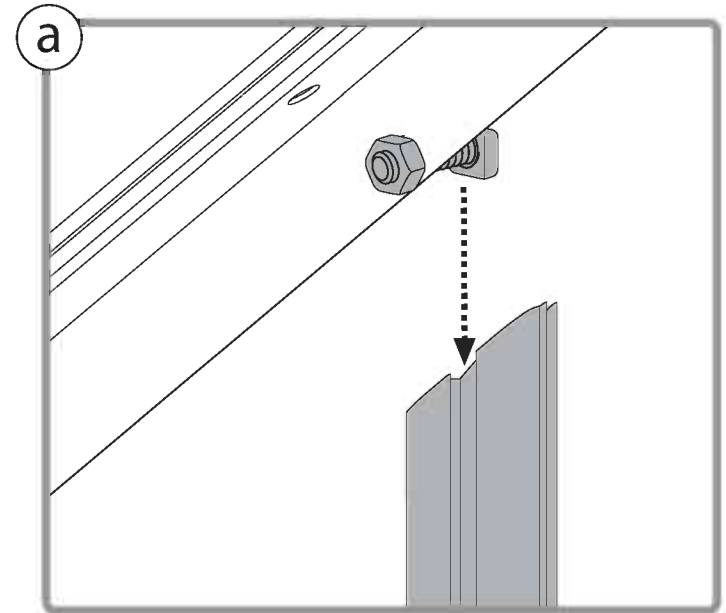
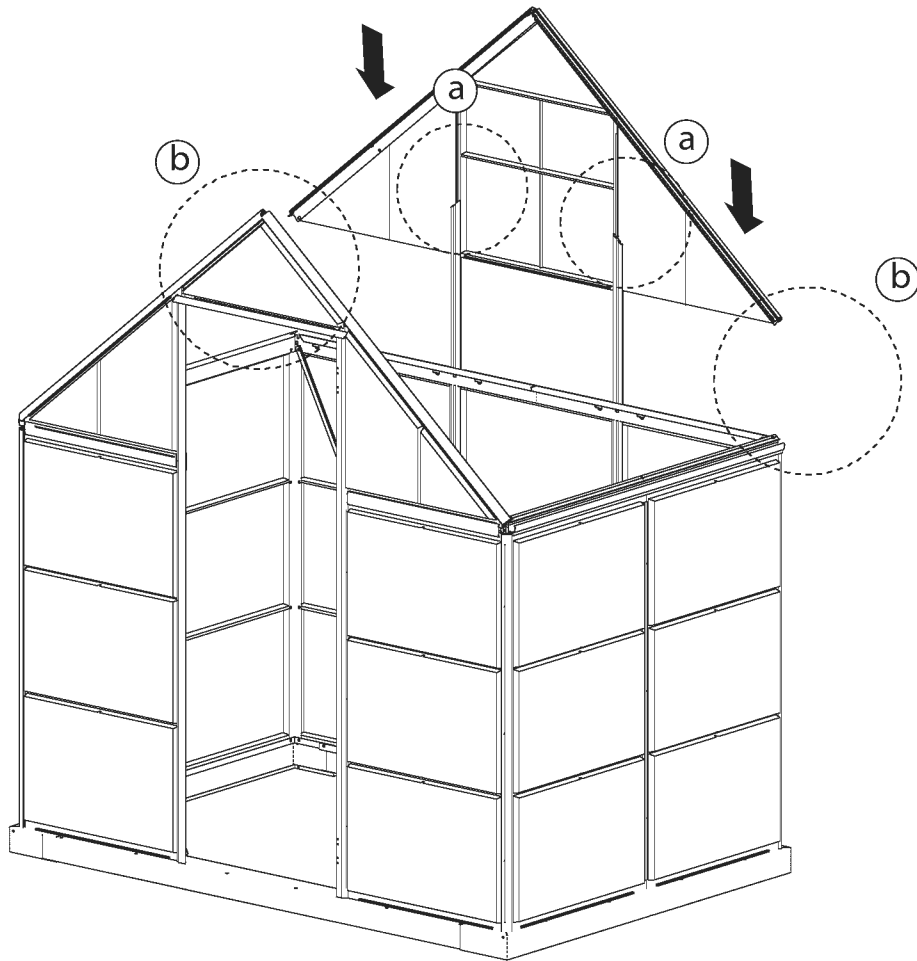
996

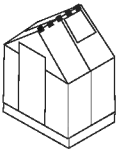
996

996

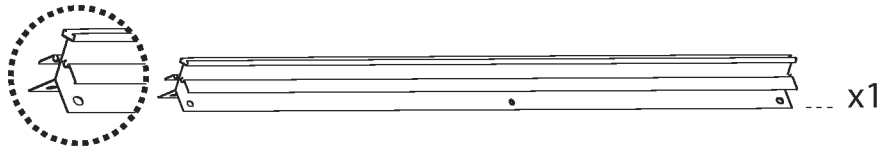


411  x2 412  x2





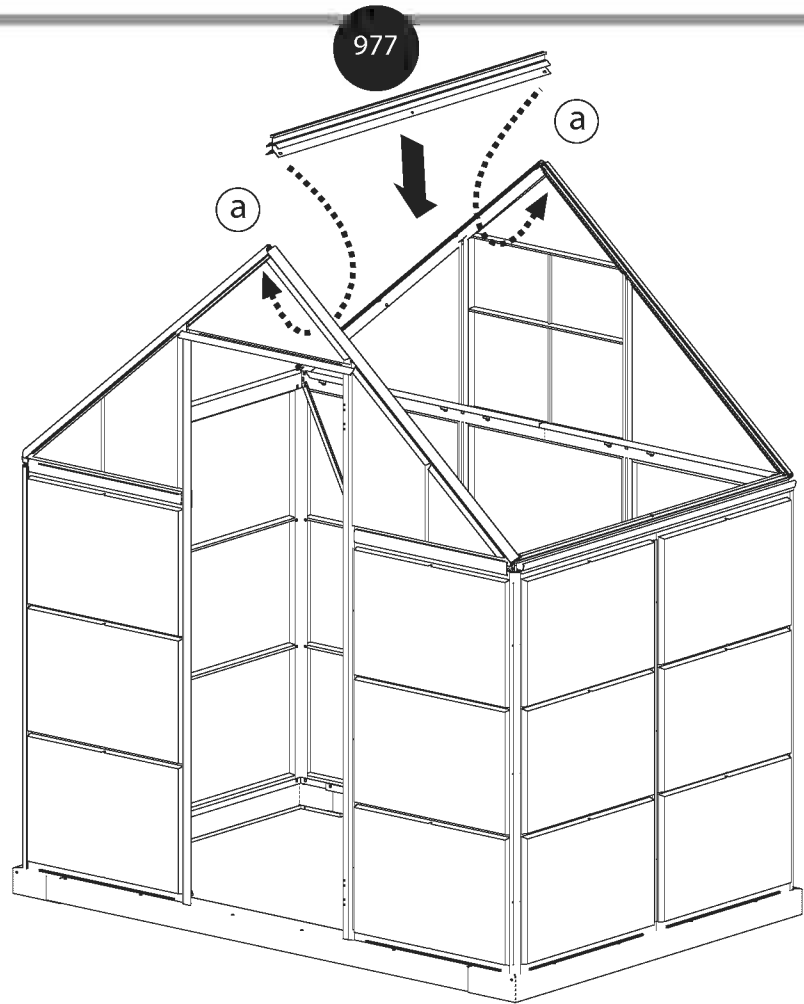
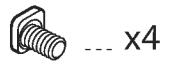
977



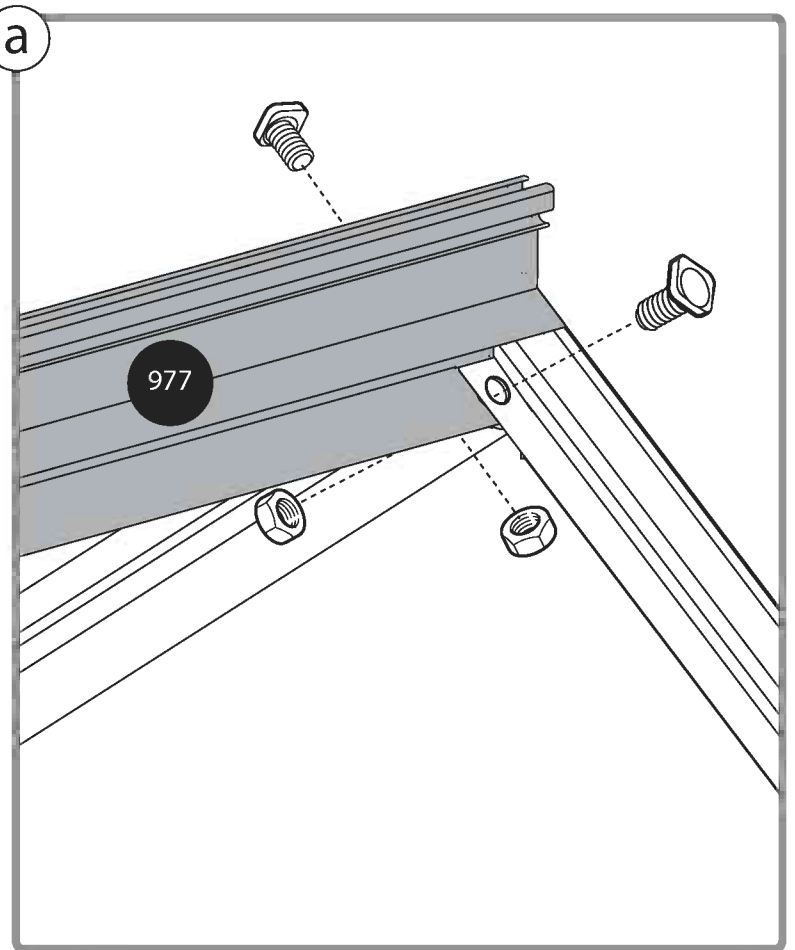
412



411

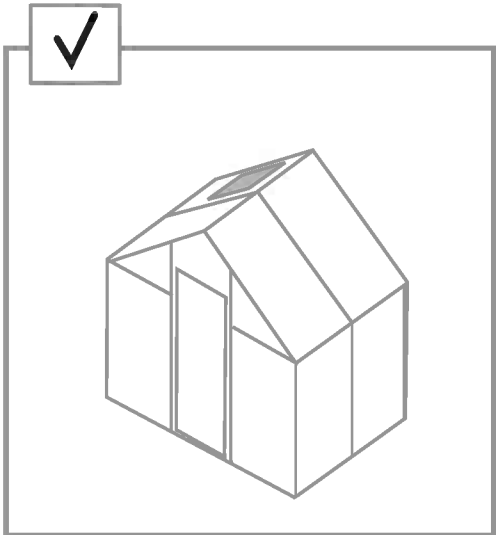
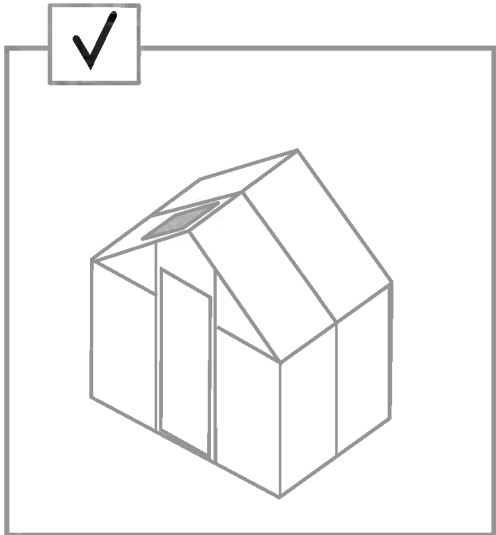
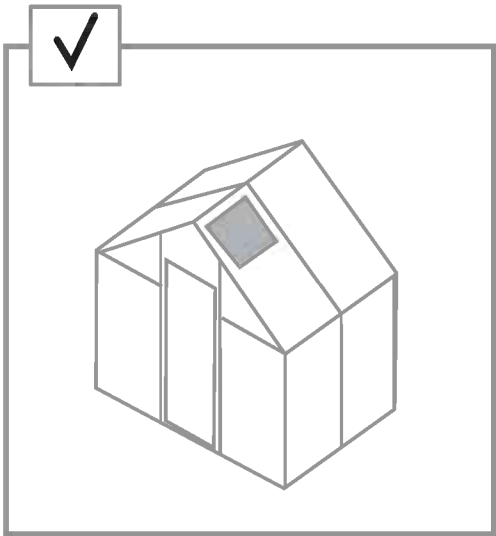
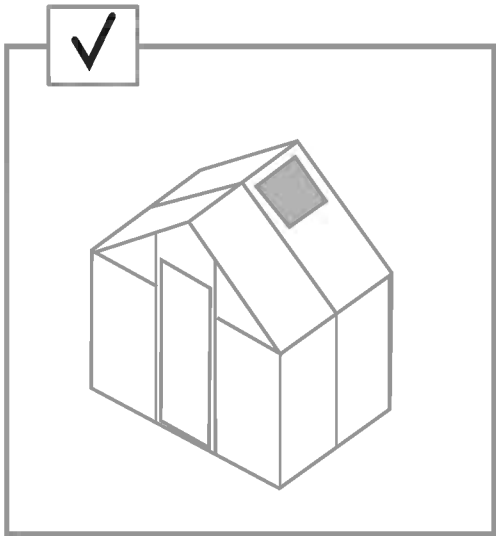
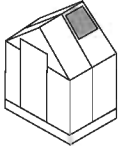


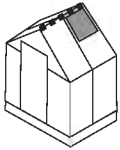
a








EN Window Location
GR Fenster Standort
FR Fenêtre Emplacement
SP Ventana Ubicación

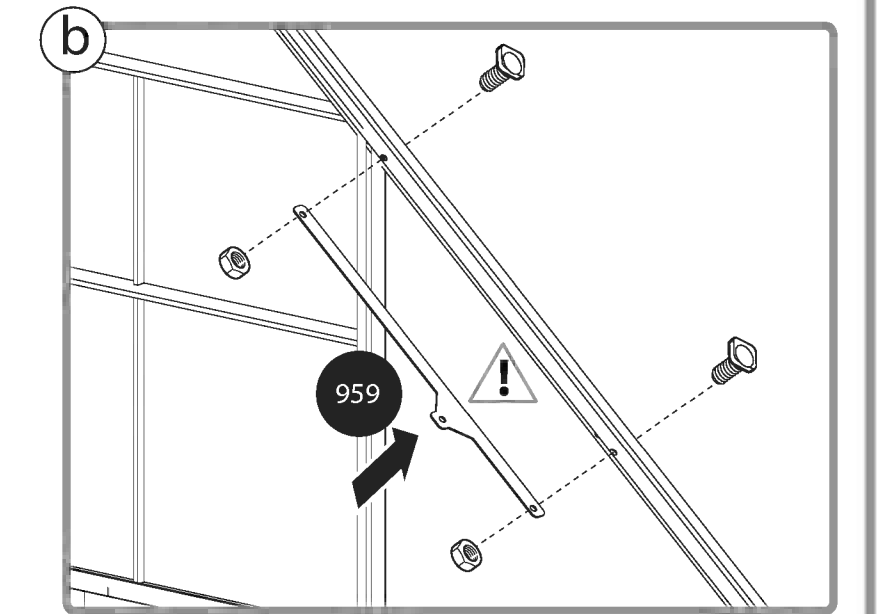
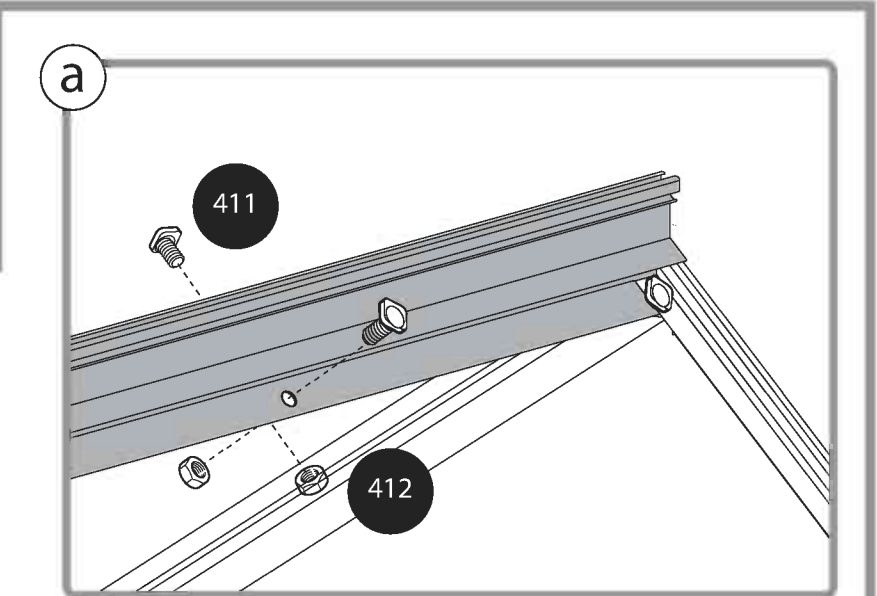
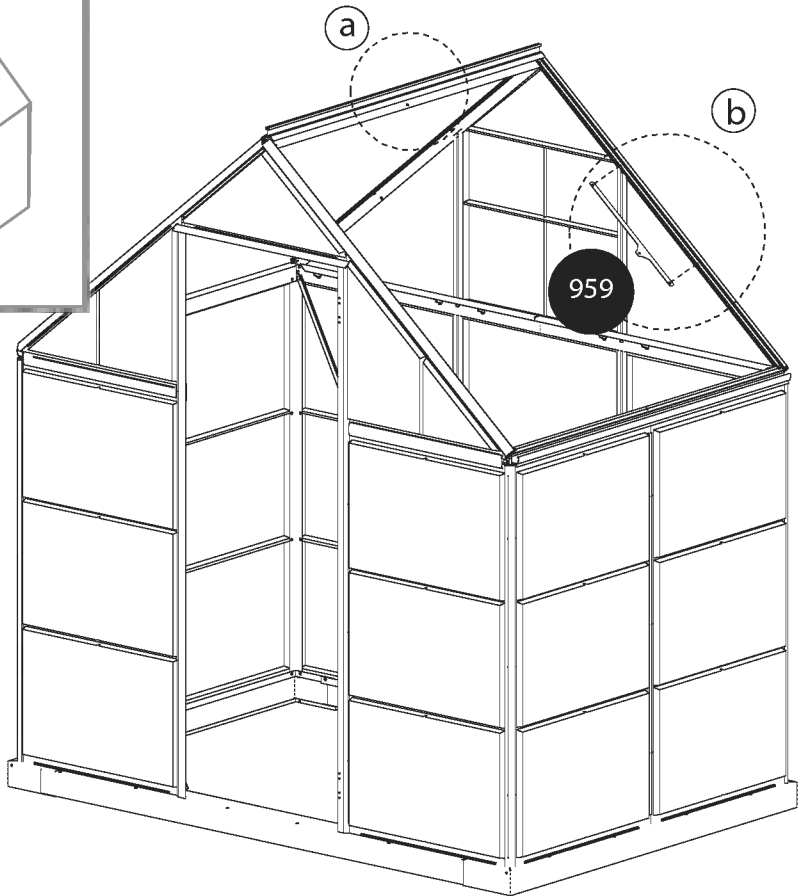
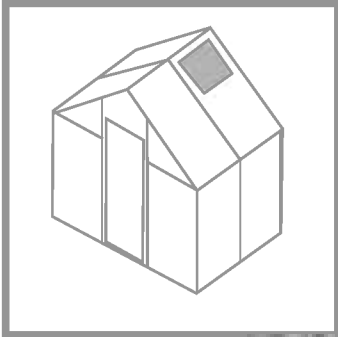


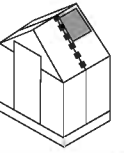



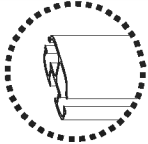



411  x4

412  x4

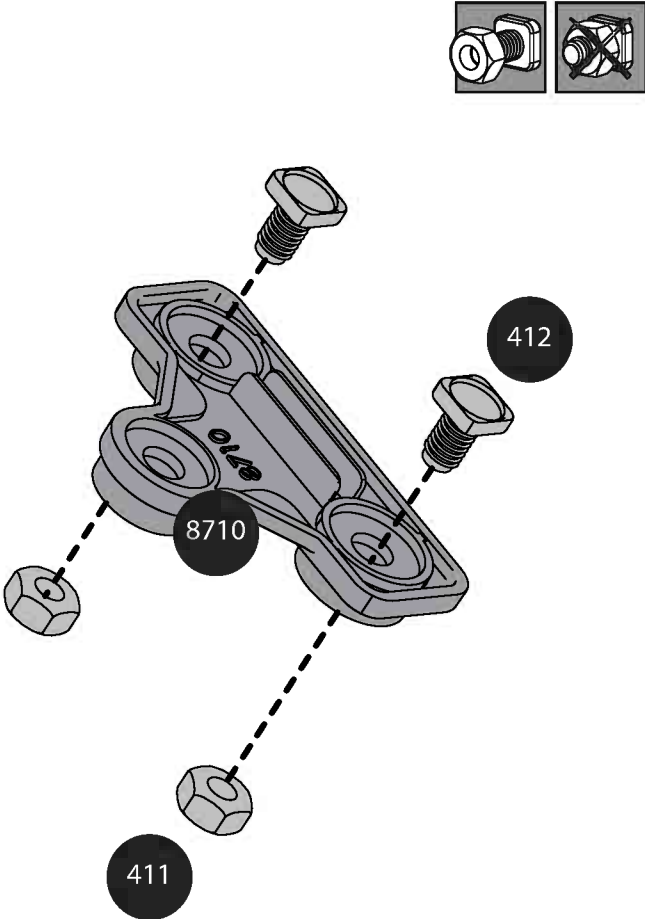
959  x1





8710		... x1	993			... x1
411		x2	412		x2	

a

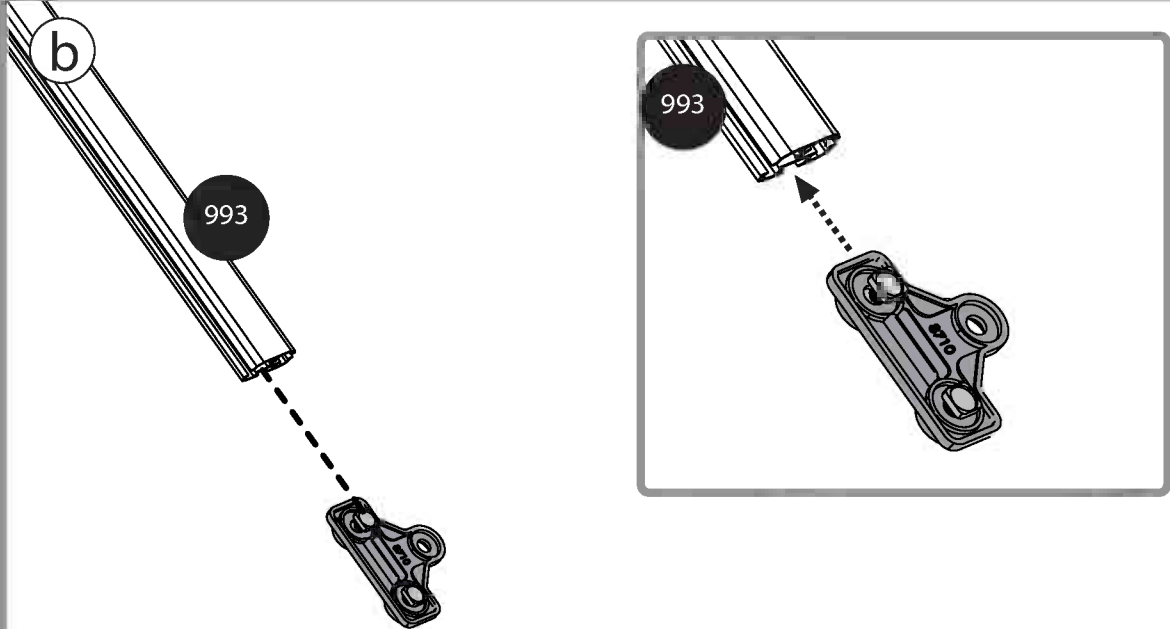


8710

411

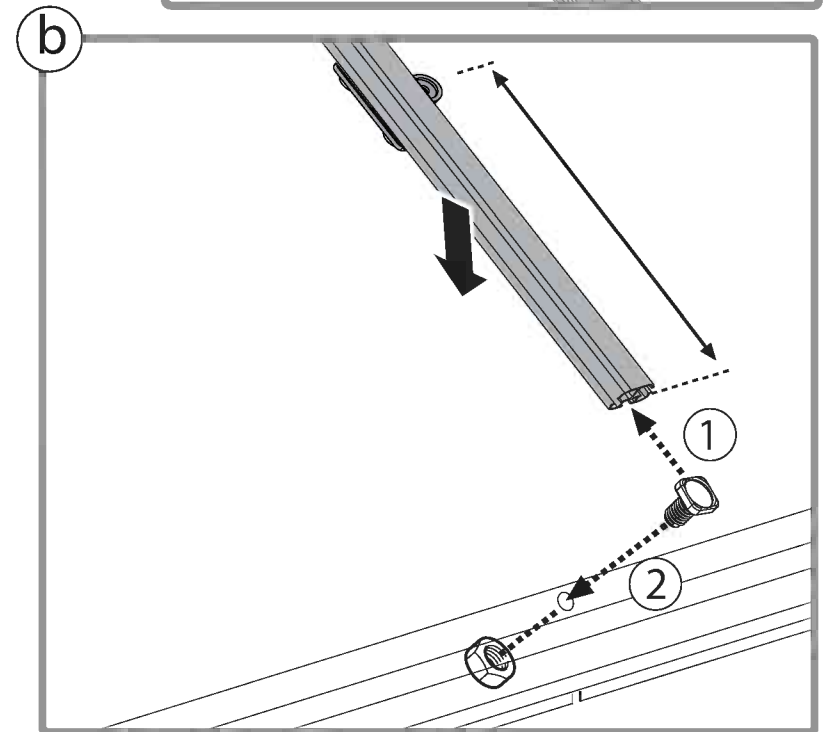
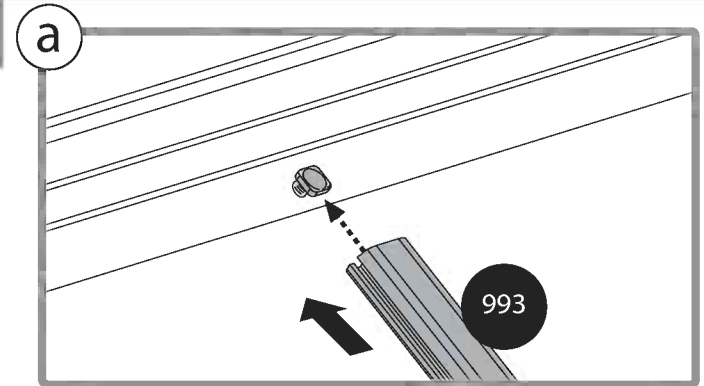
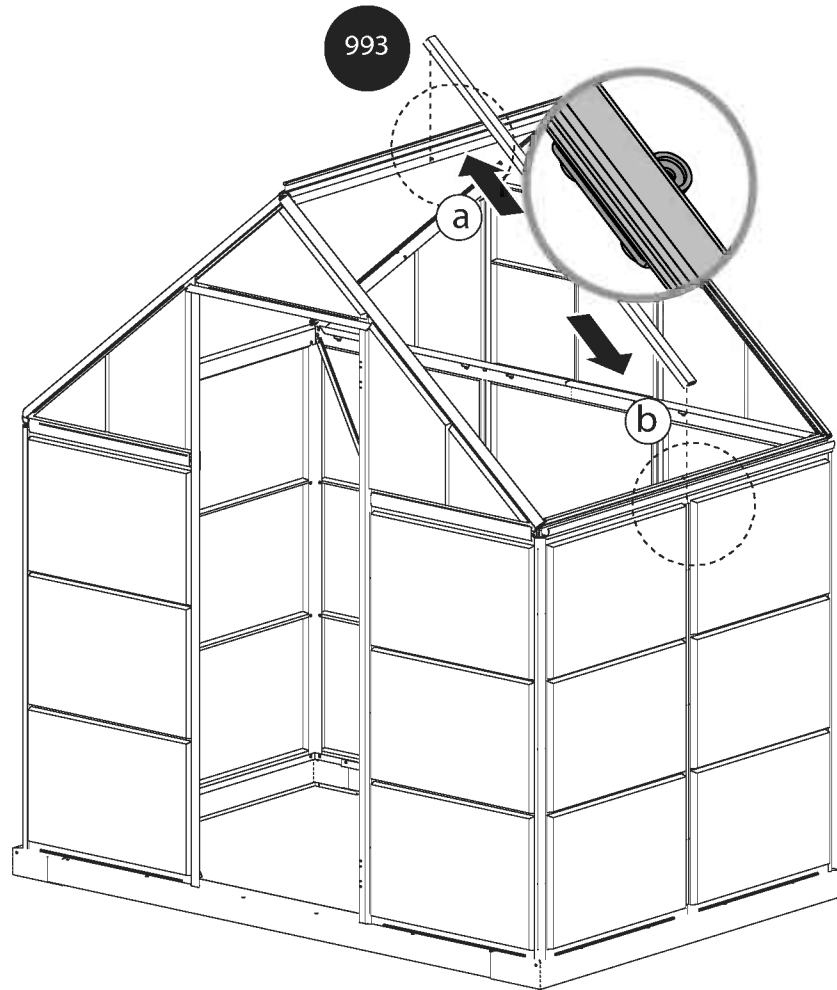
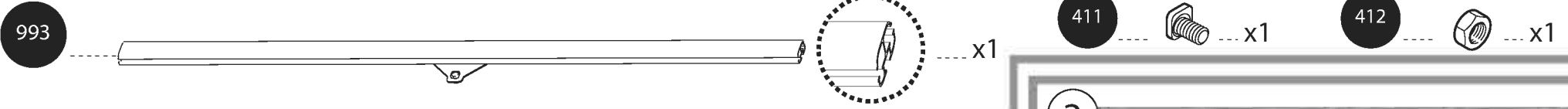
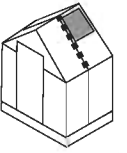
412

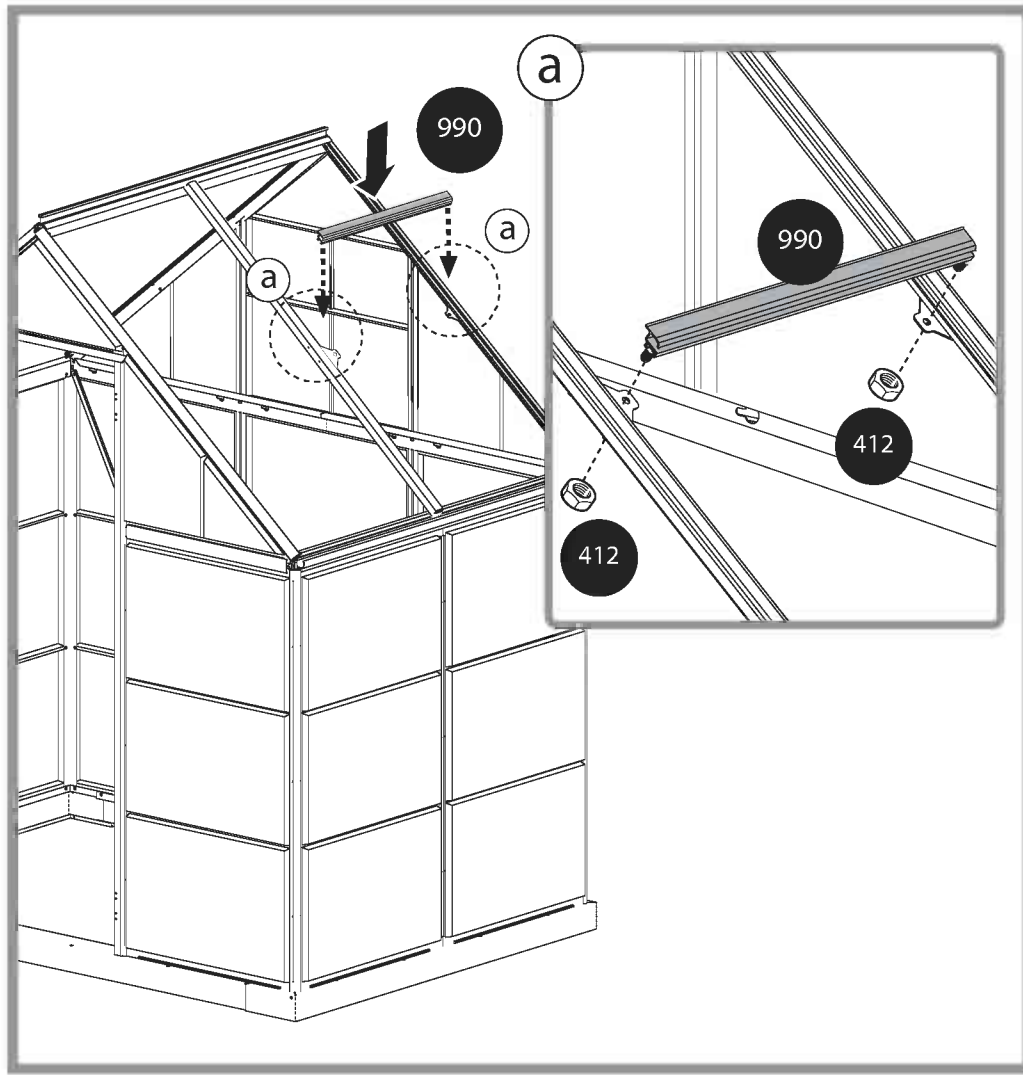
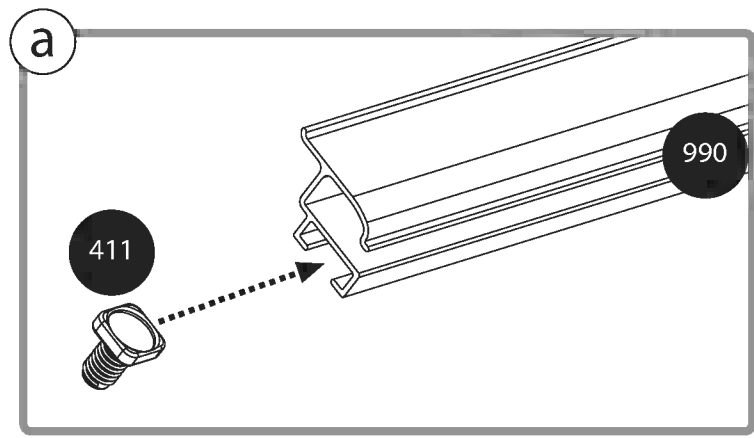
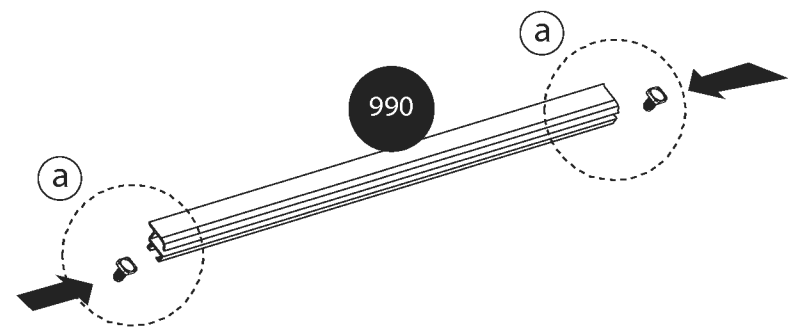
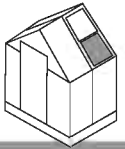
b

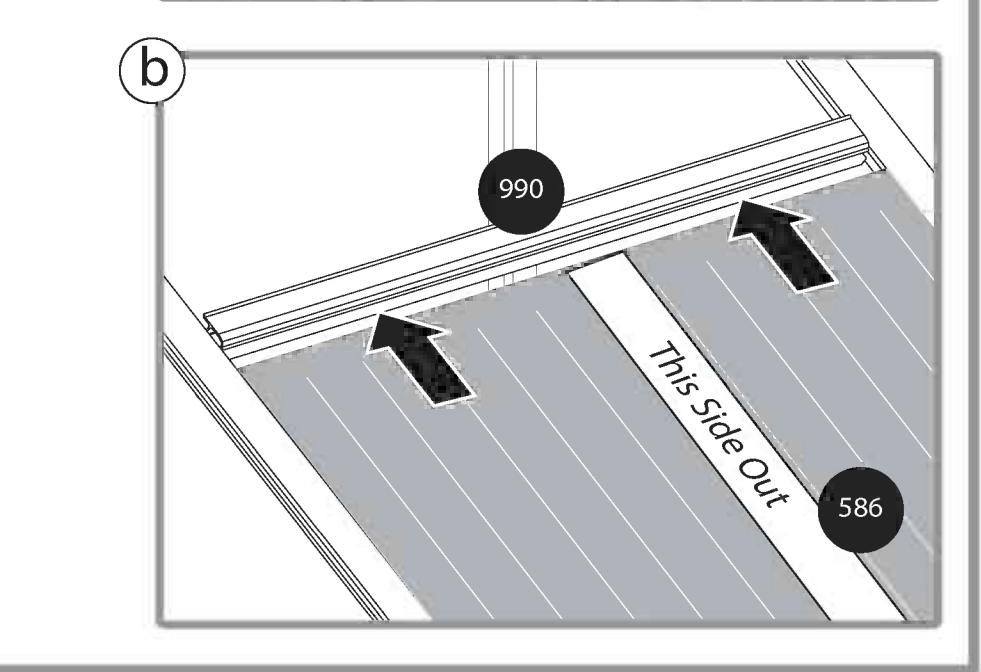
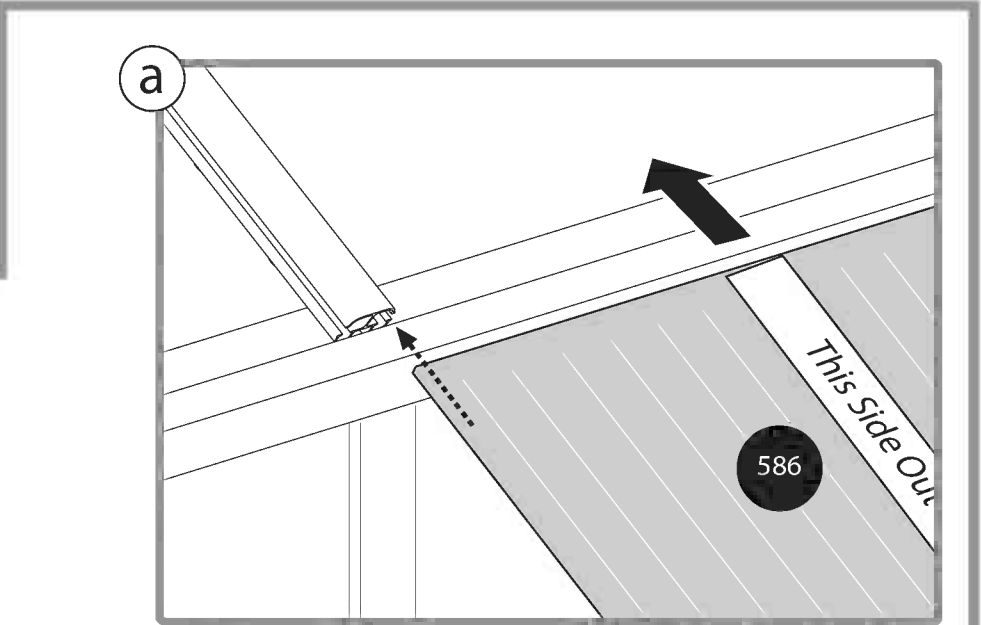
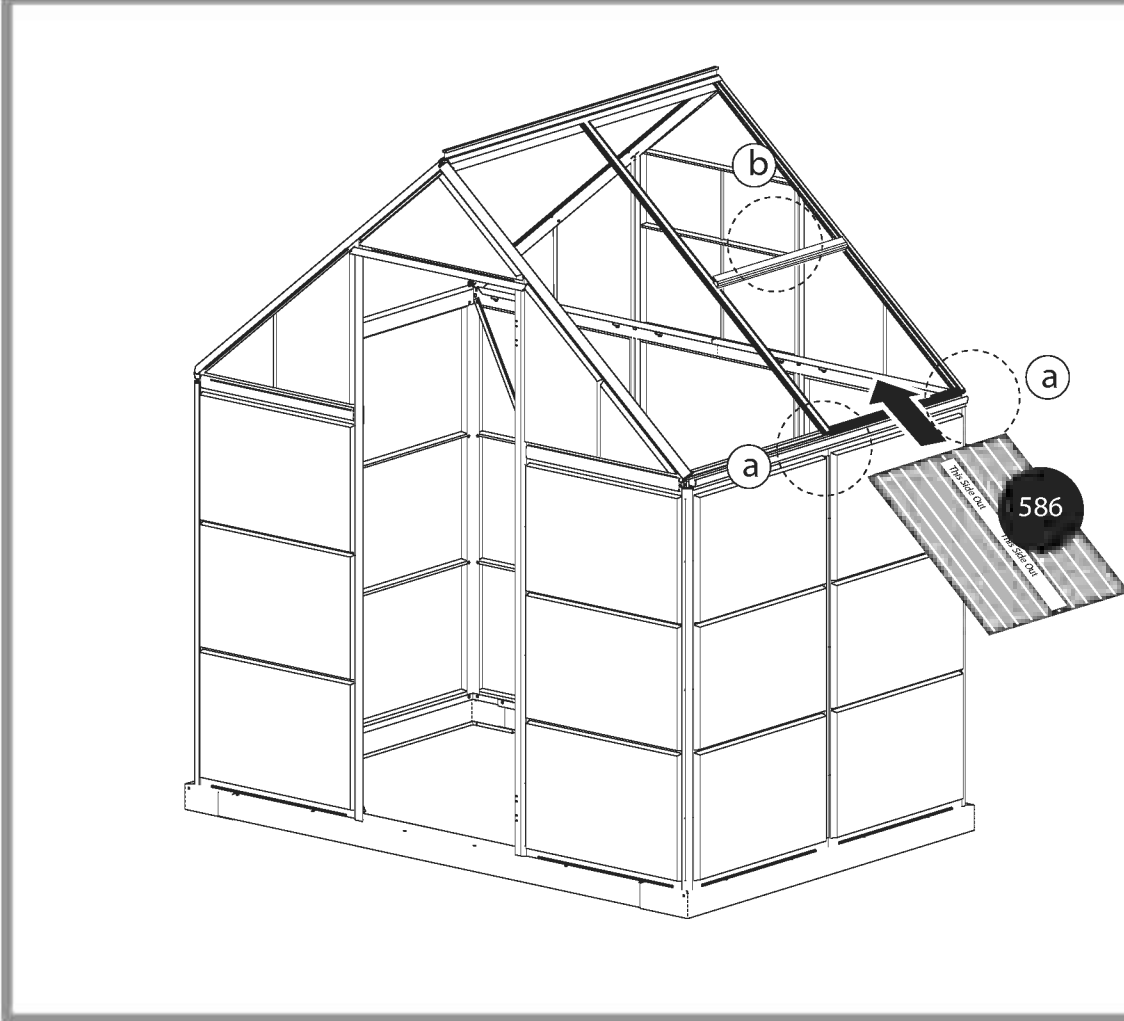
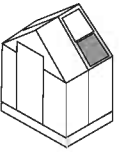


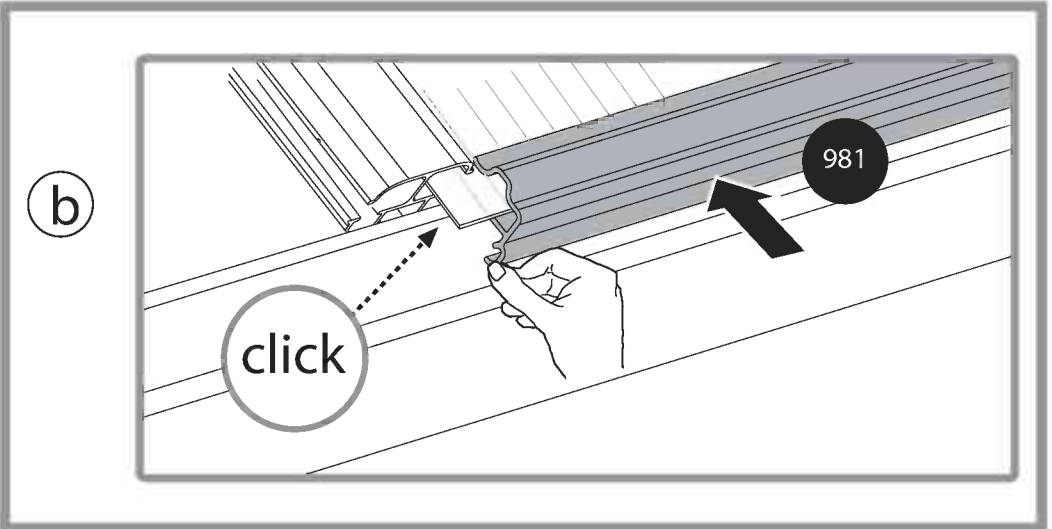
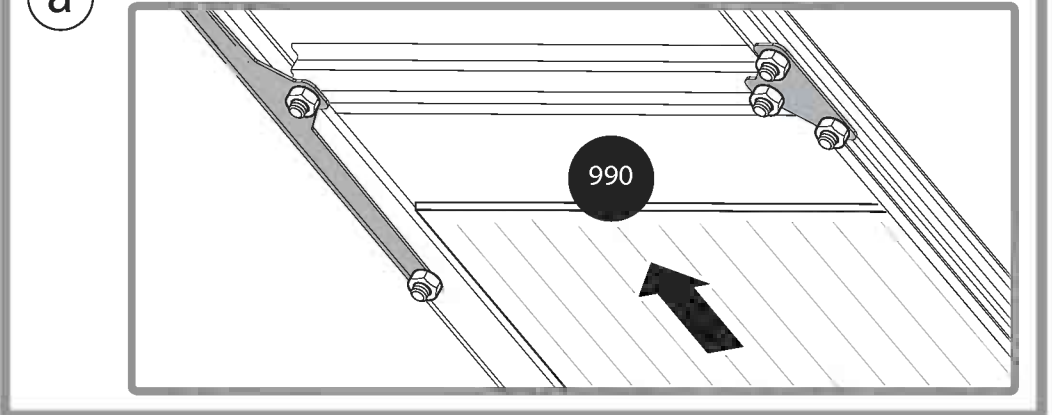
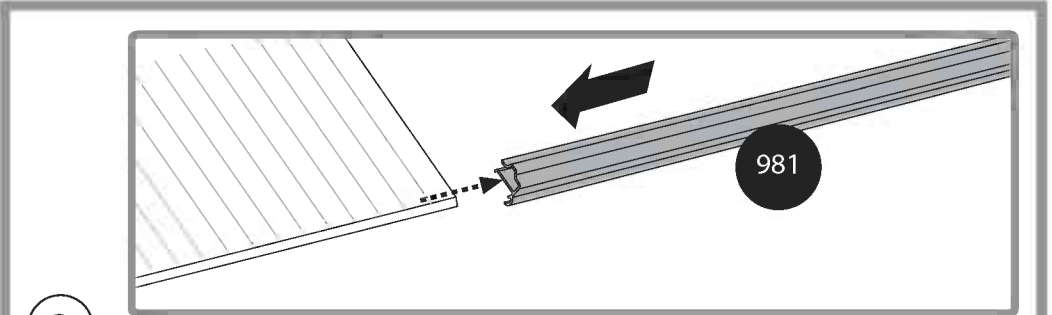
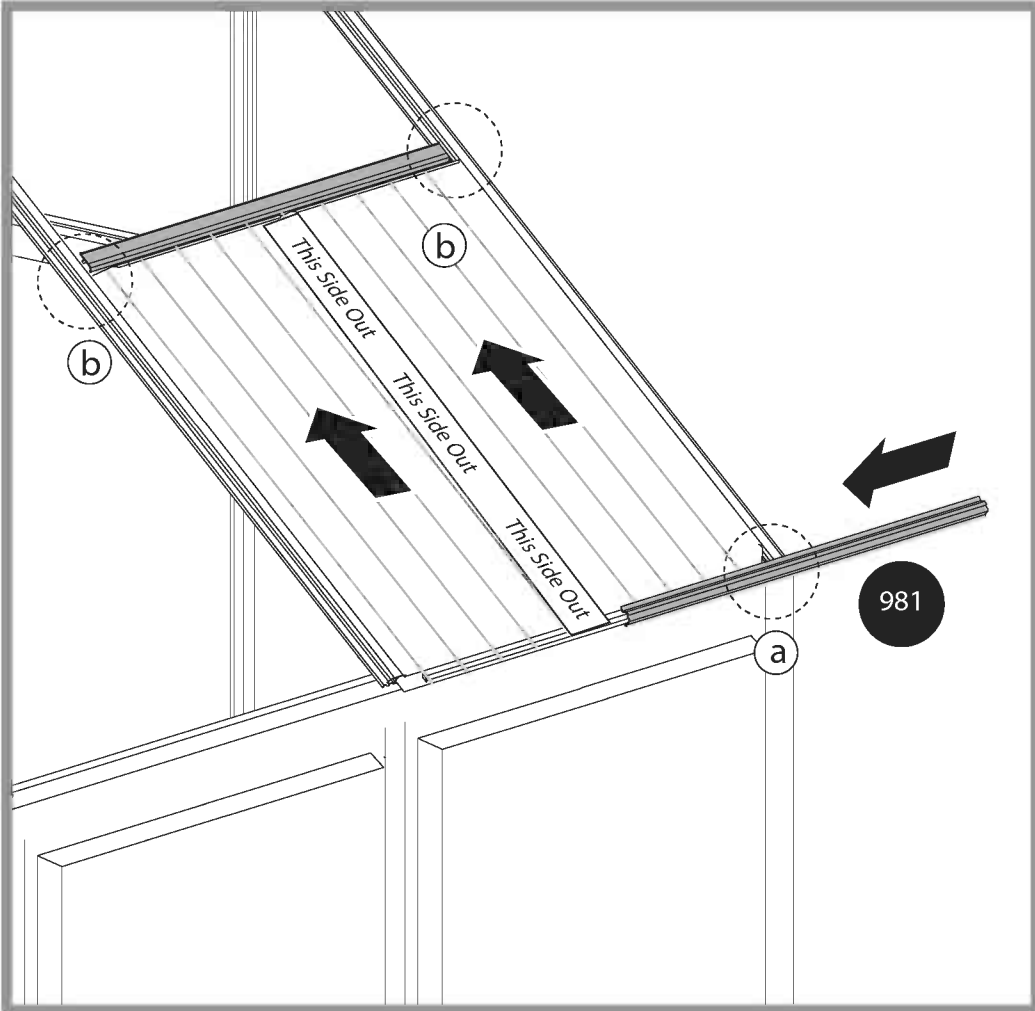
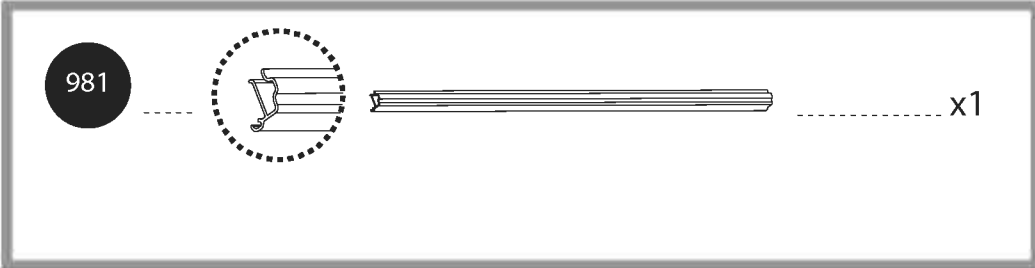
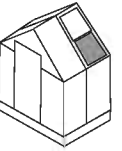
993

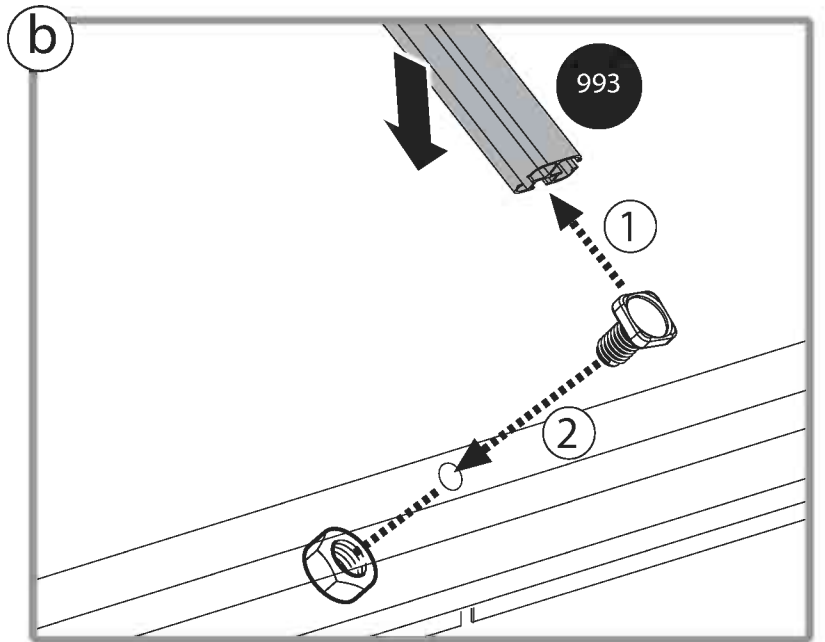
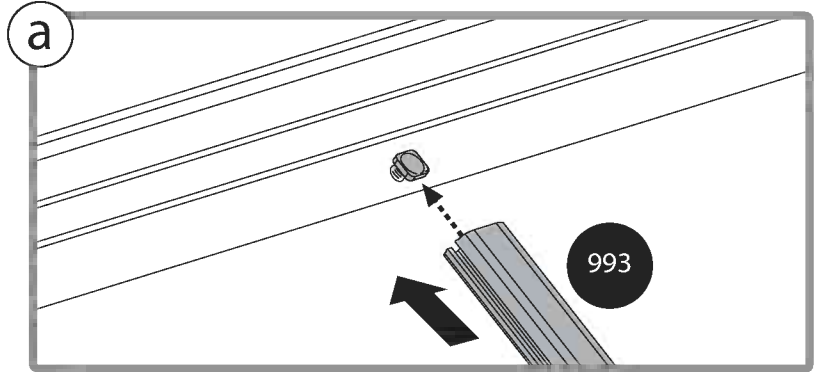
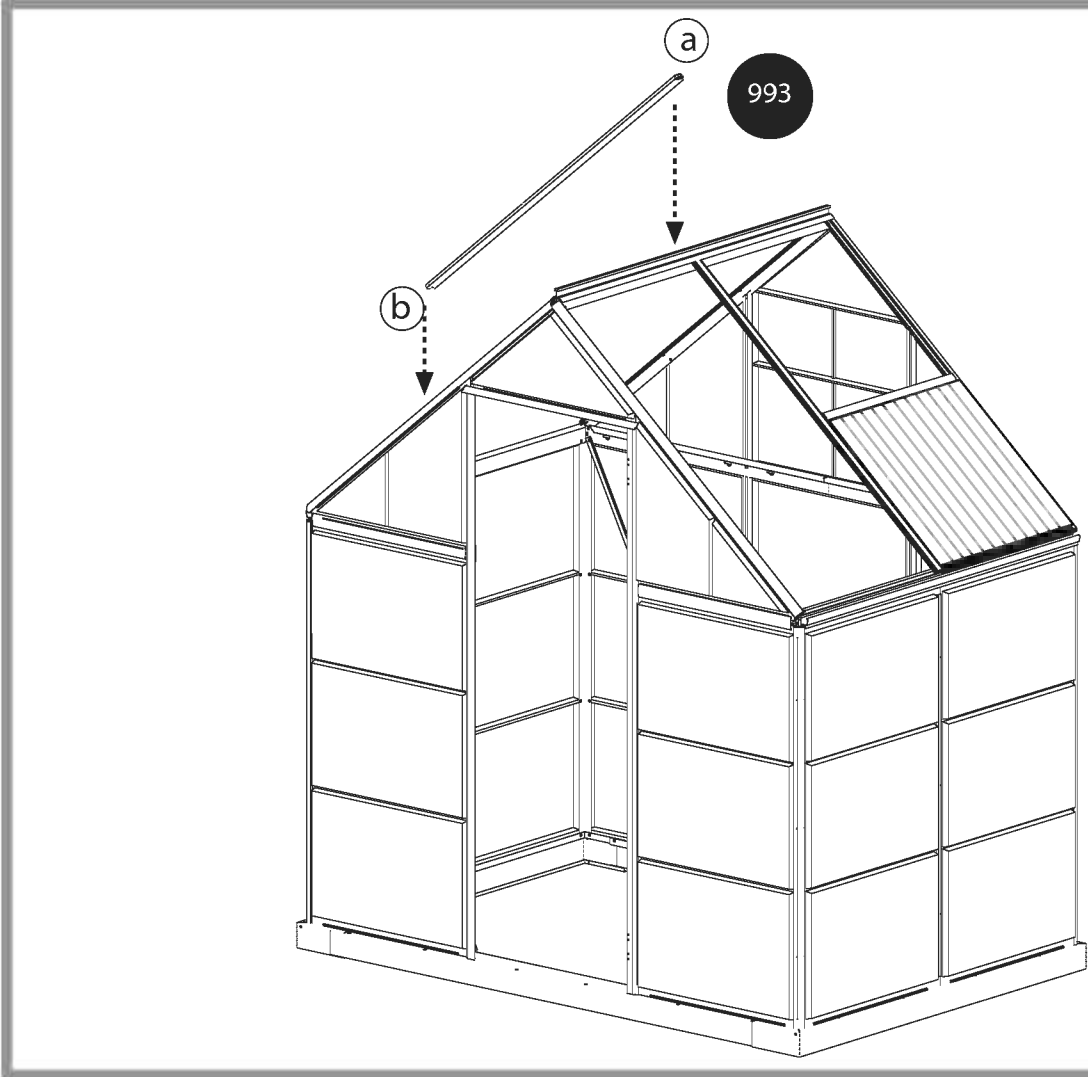
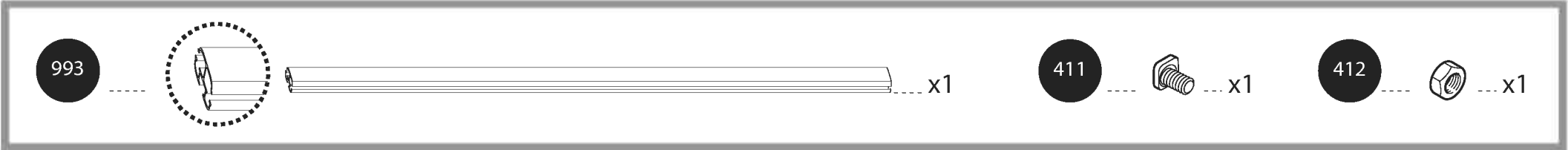
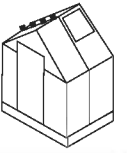
993

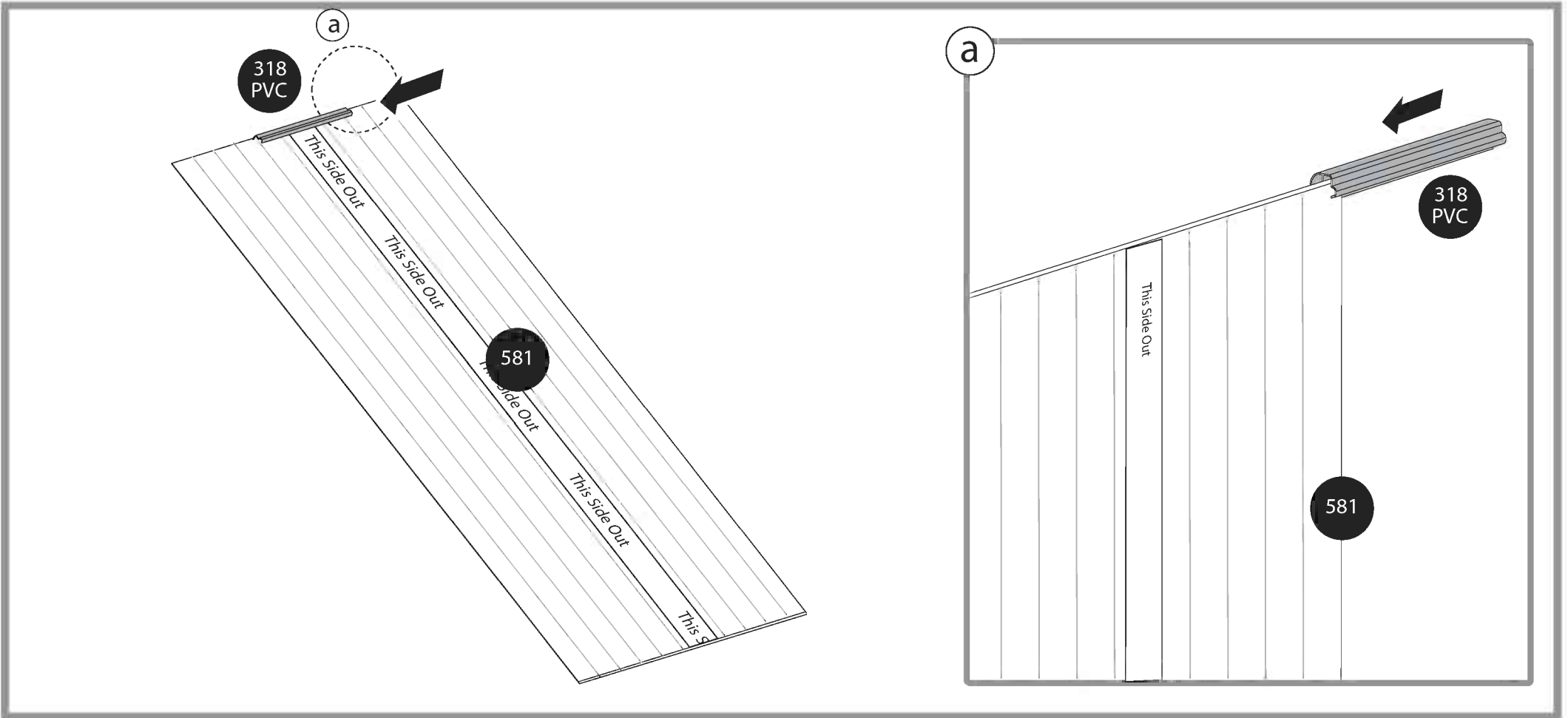
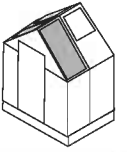


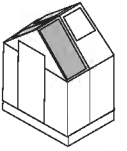




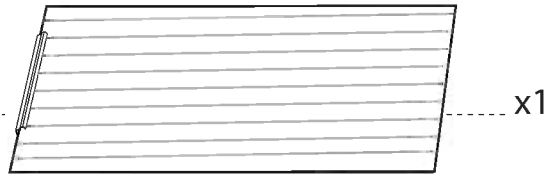




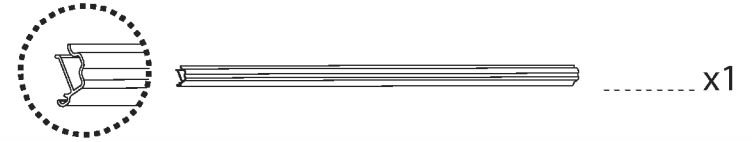




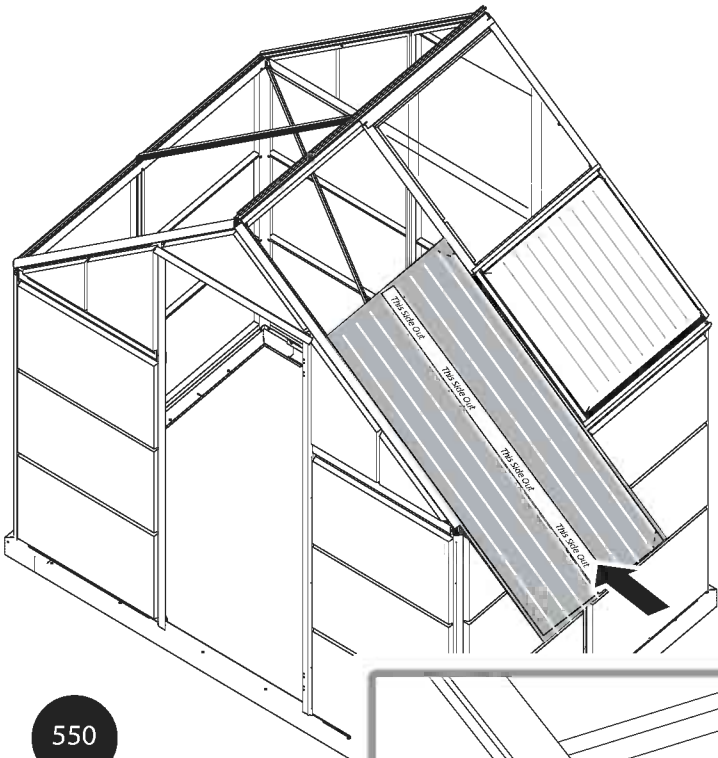
581



981



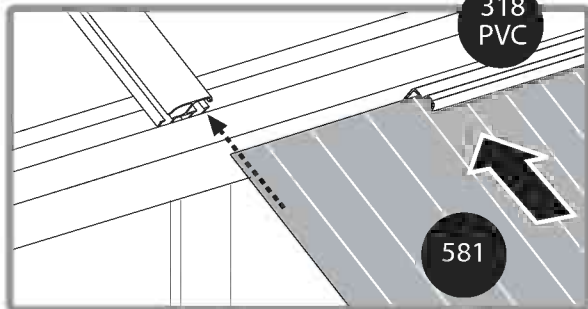
581



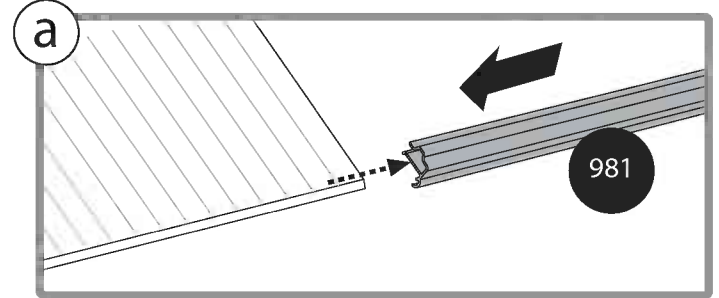
550

318
PVC

581

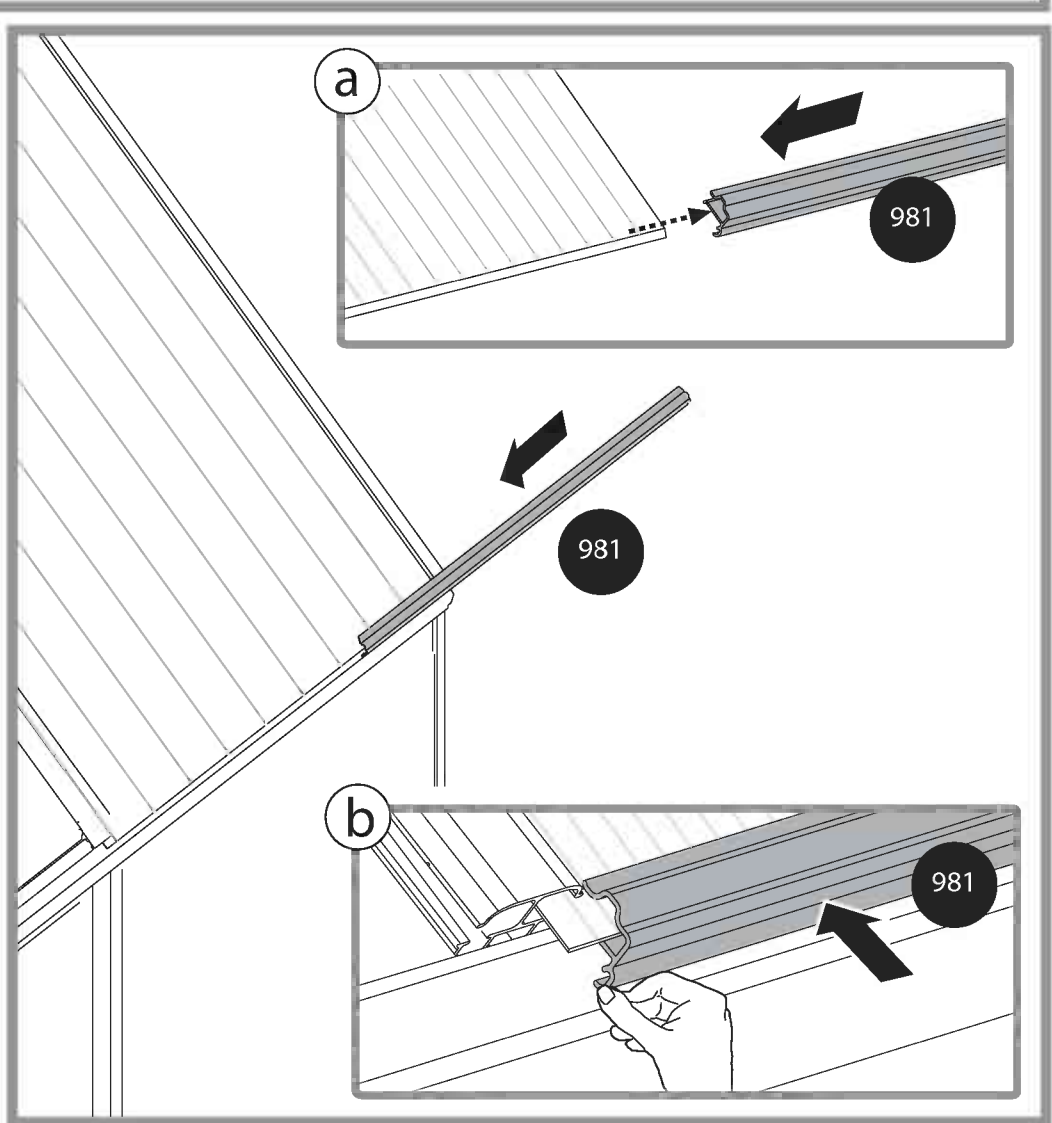


a

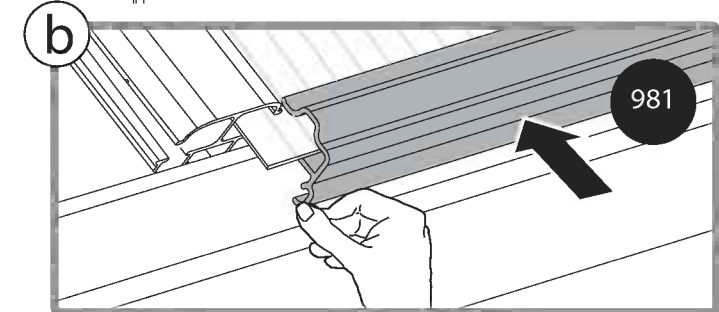


981

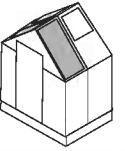
981



b



981



581

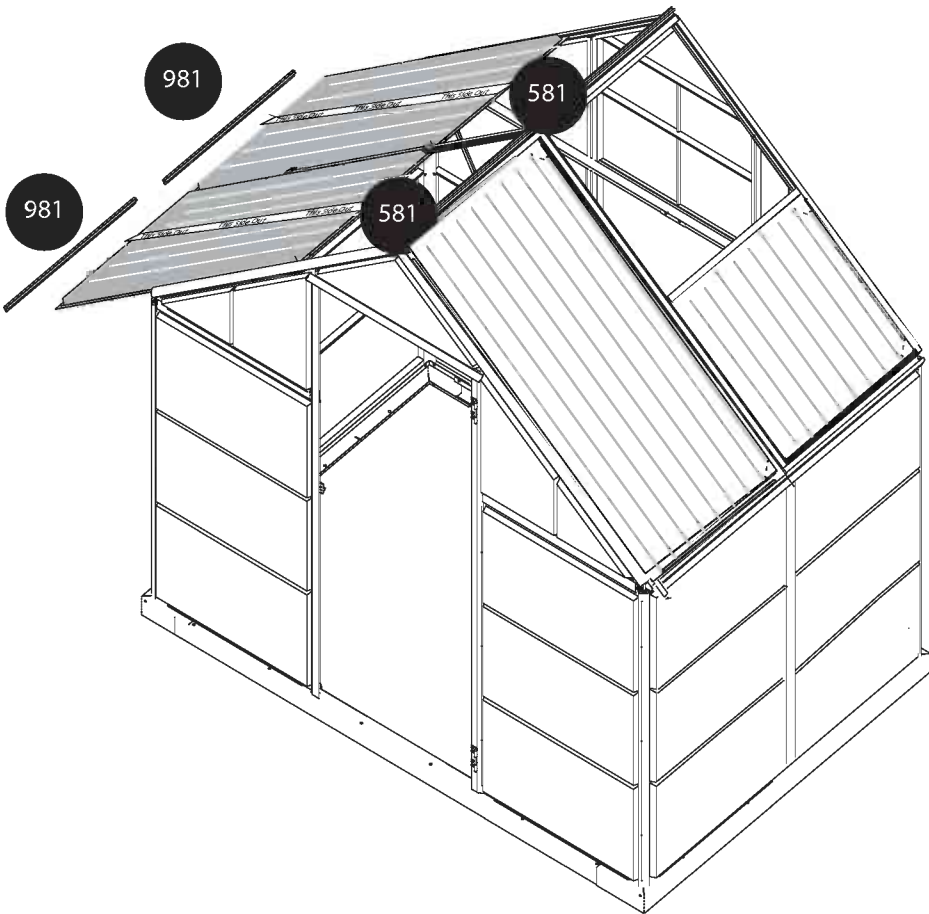


x2

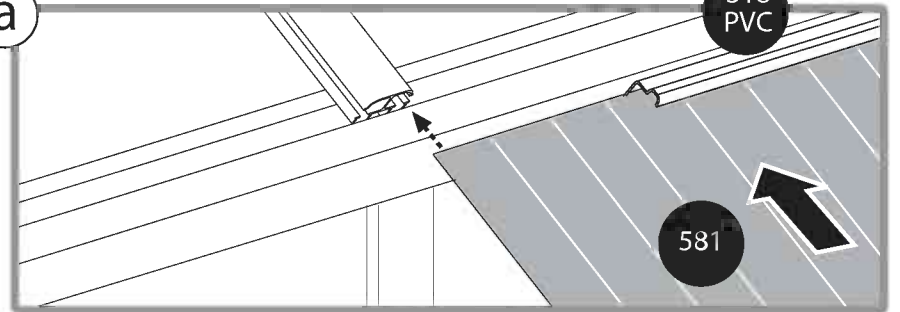
981



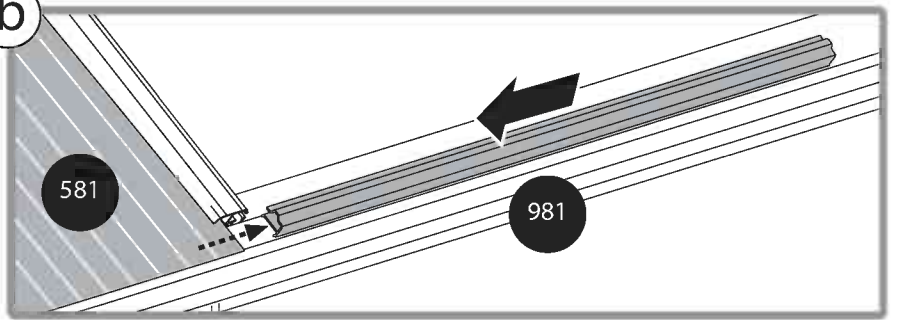
x2



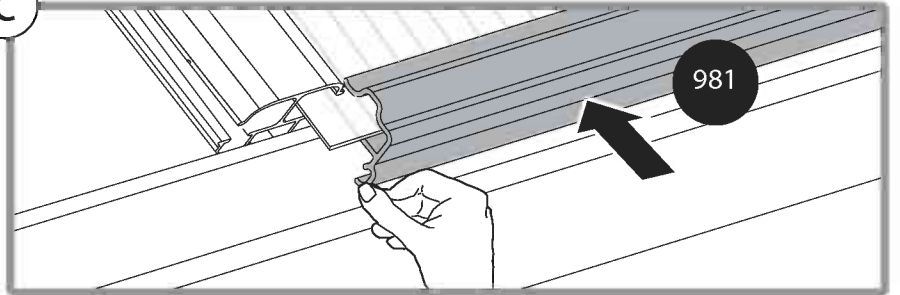
a

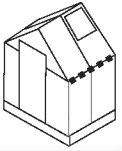


b

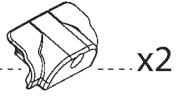


c

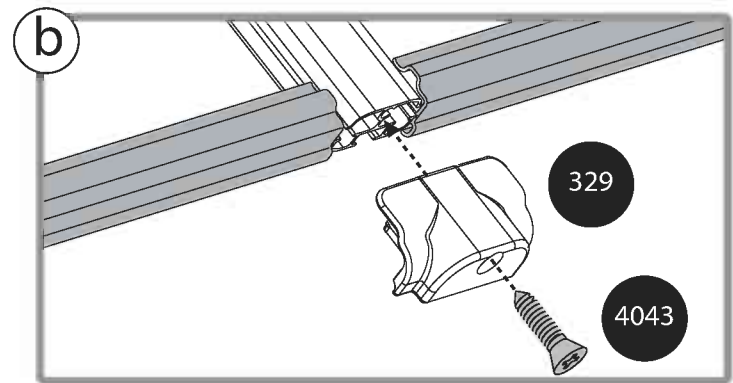
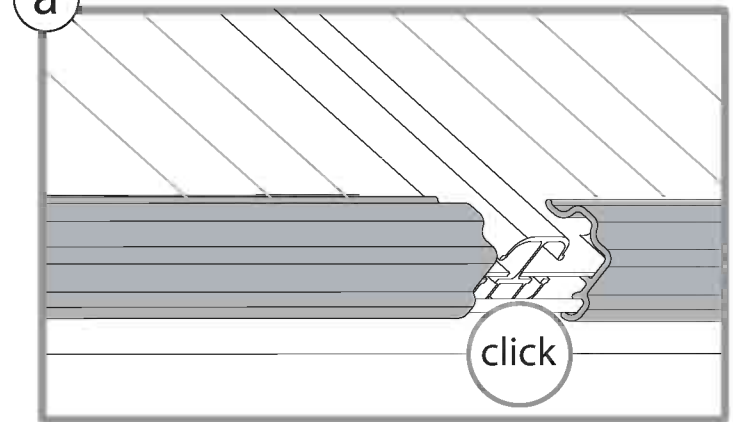
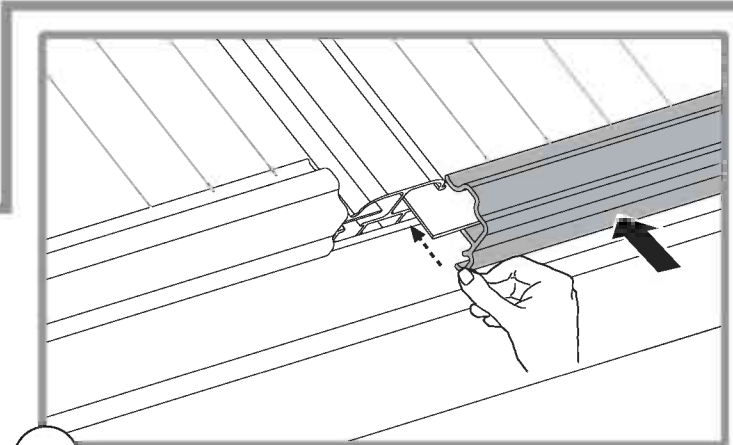
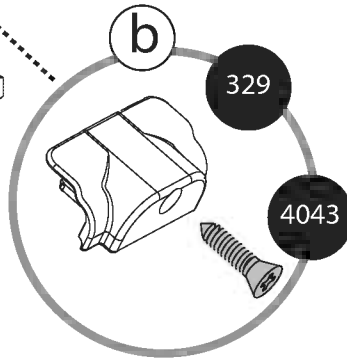
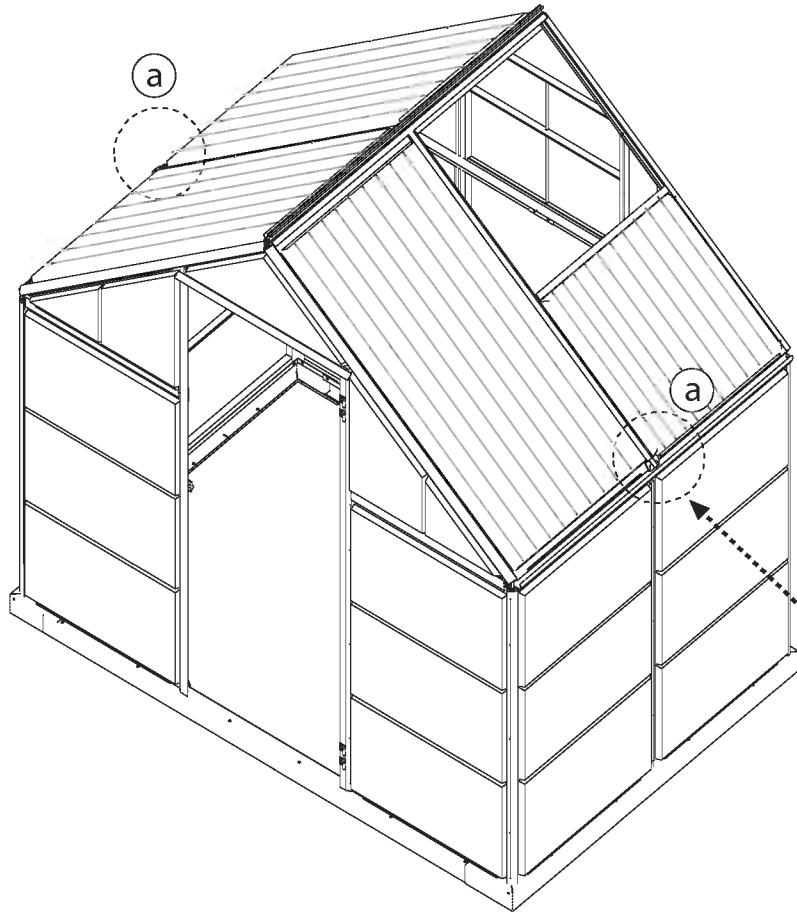


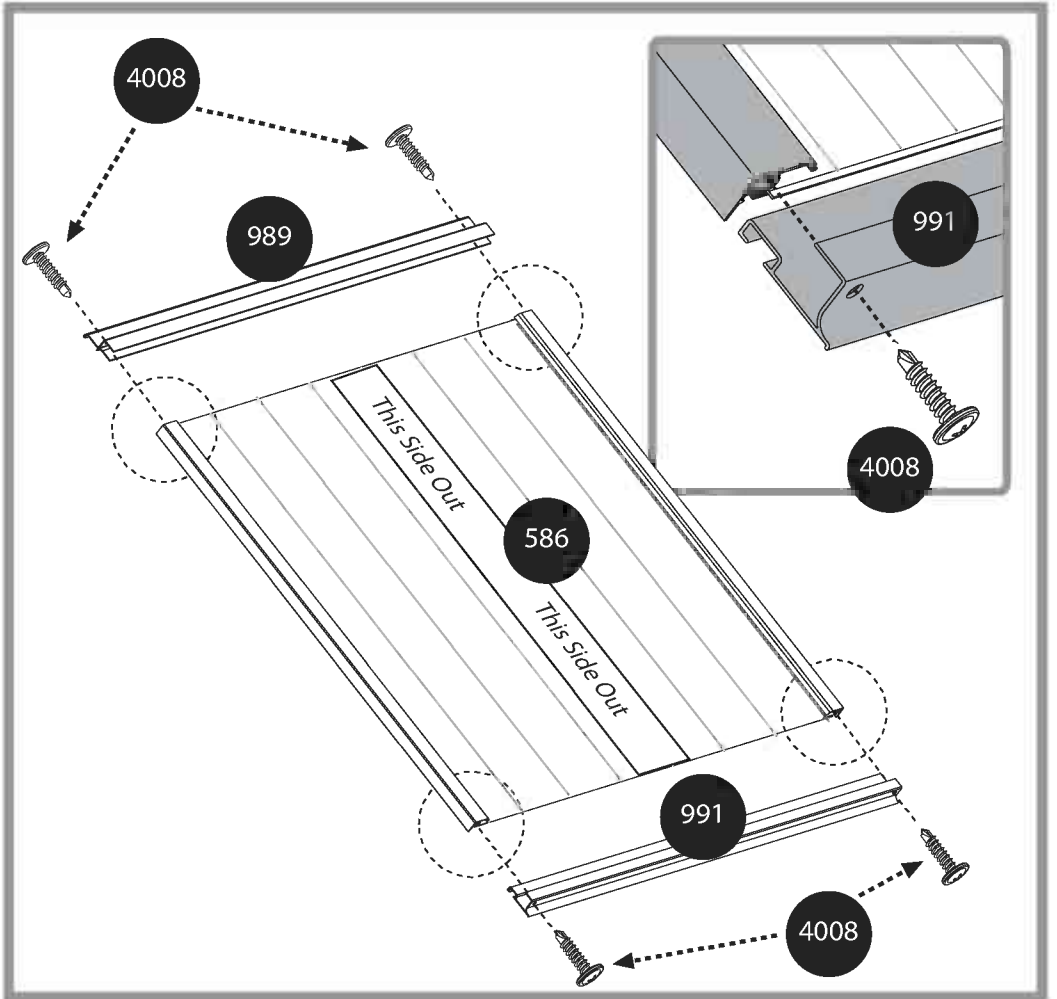
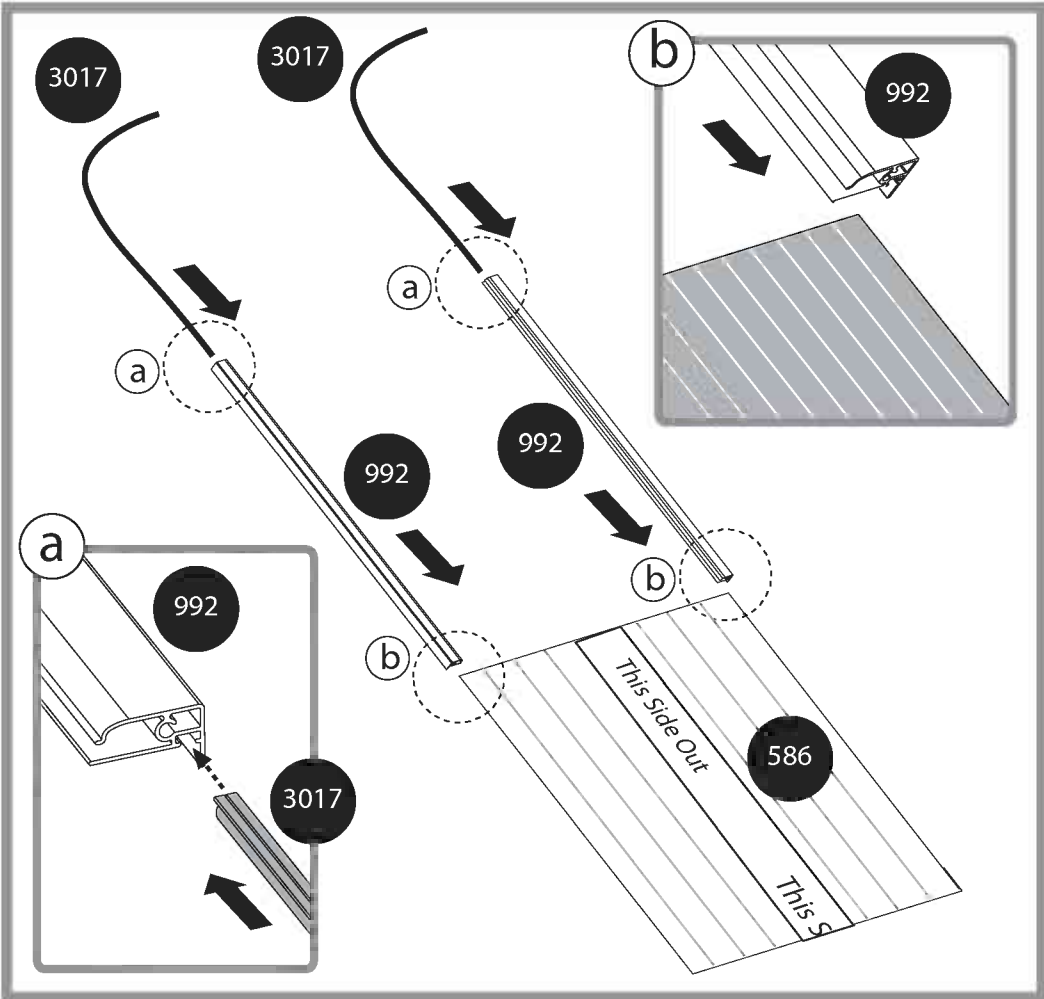
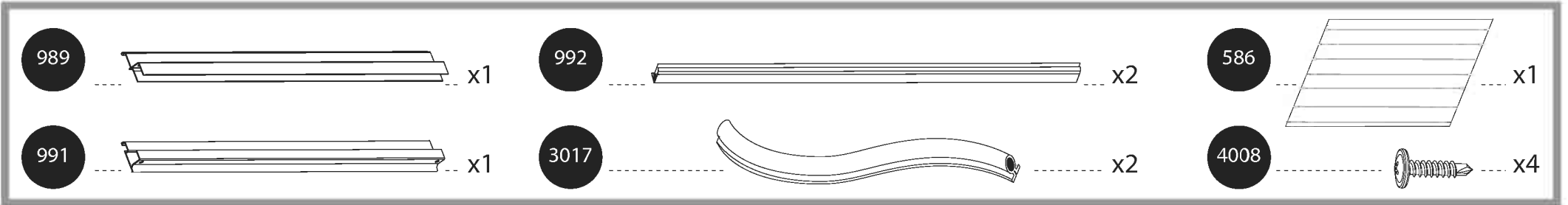
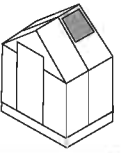


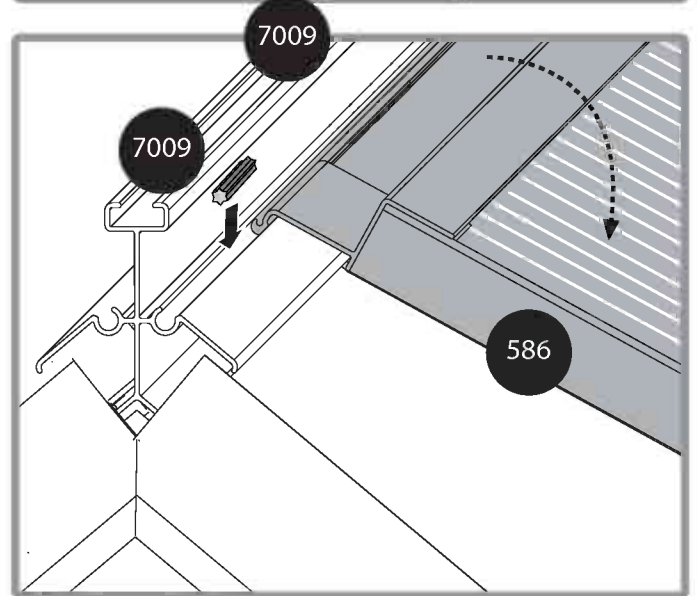
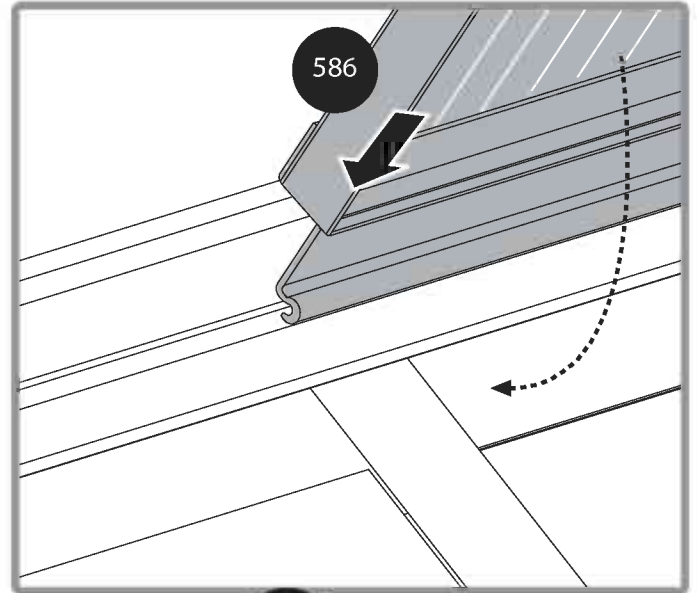
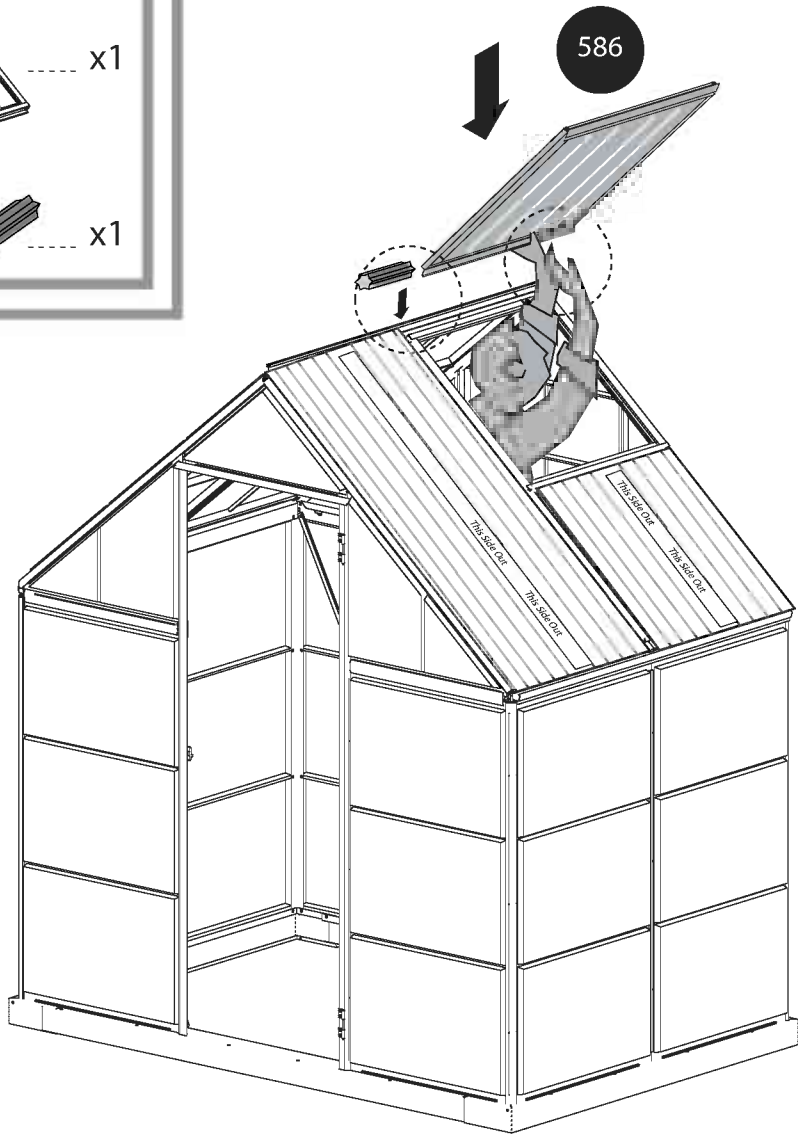
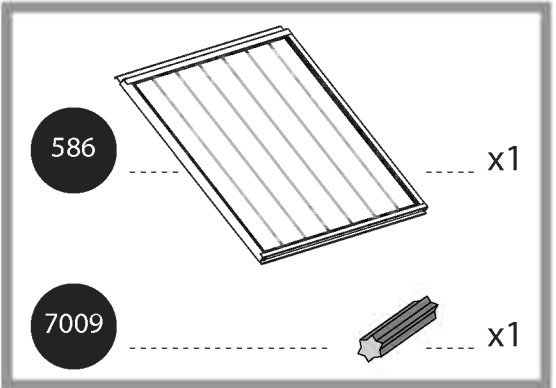
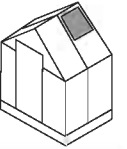
329

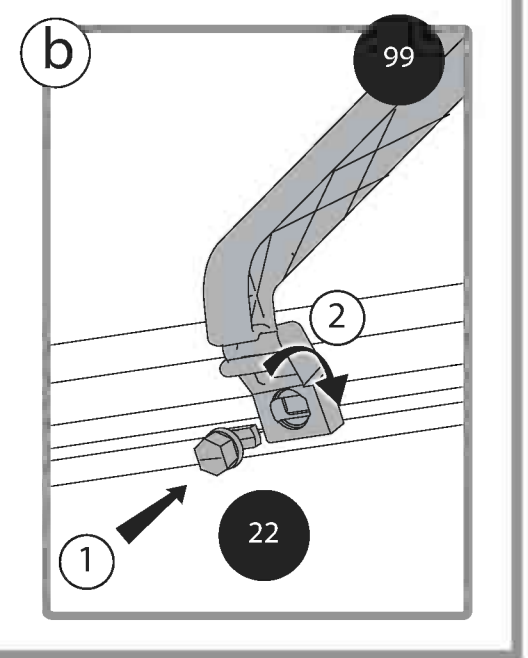
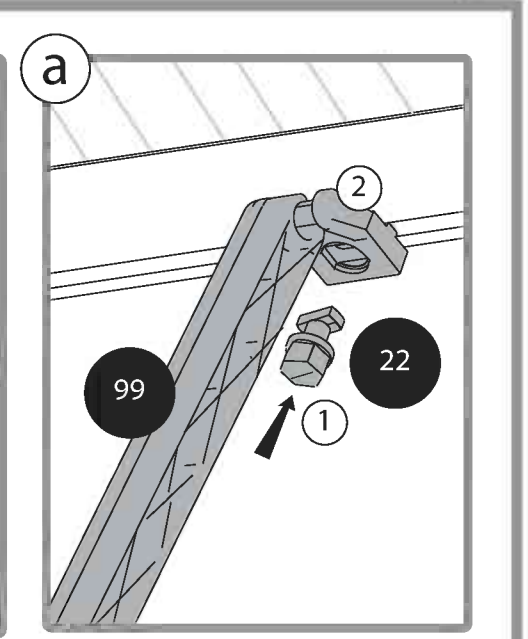
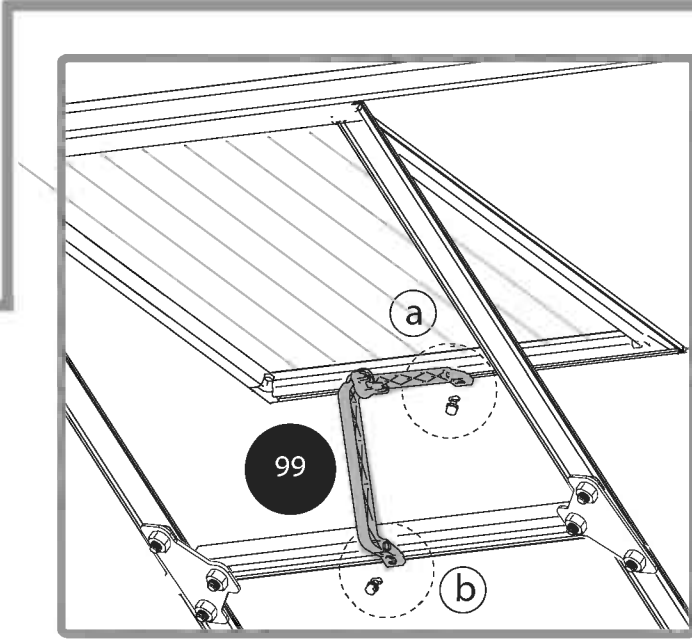
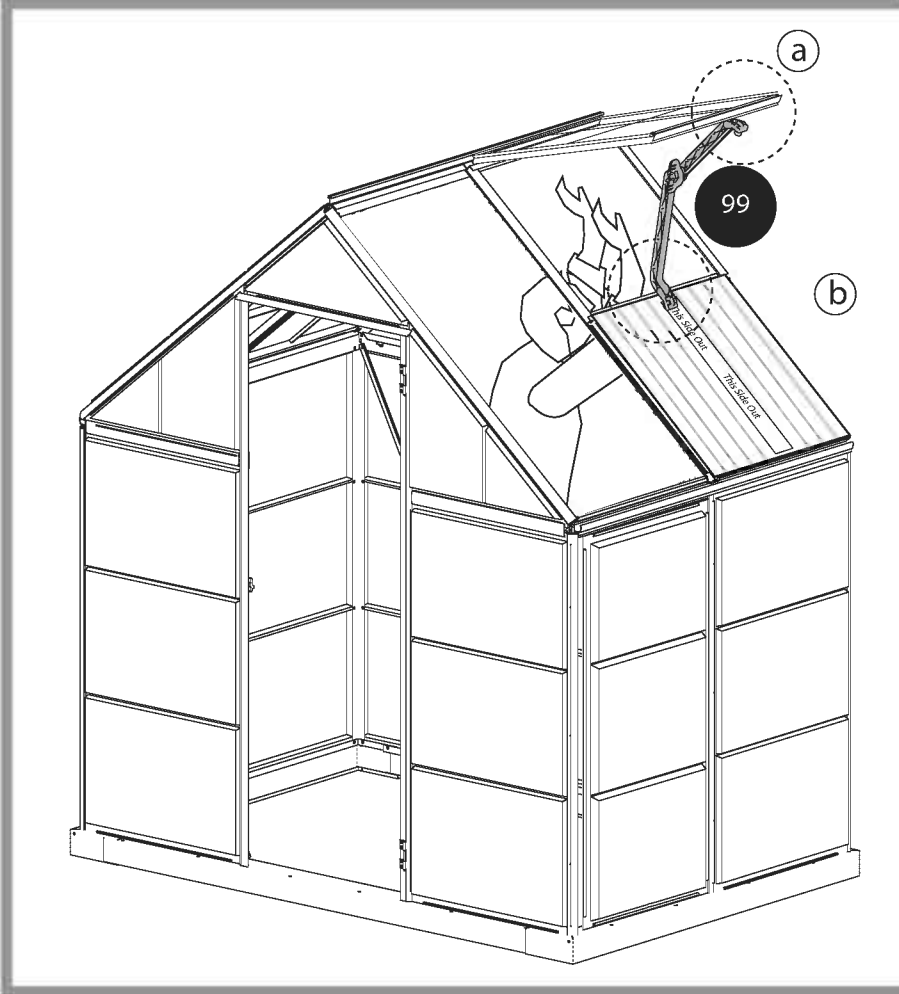
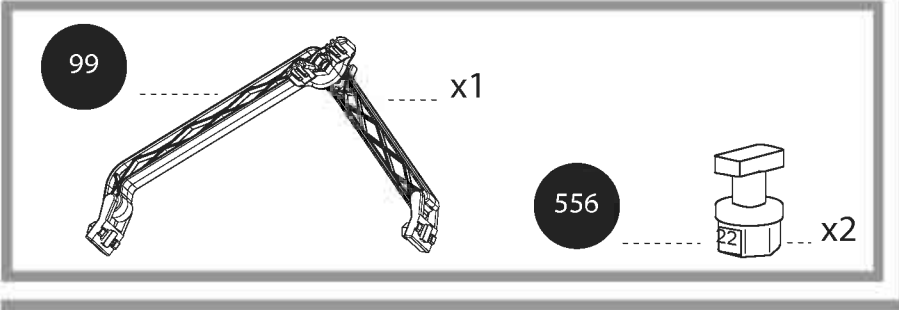
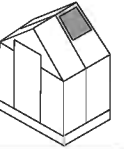


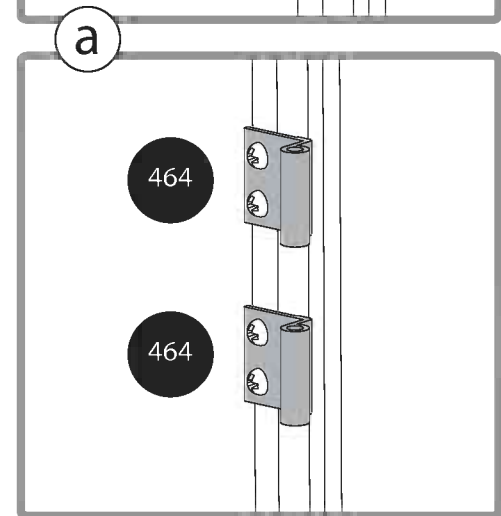
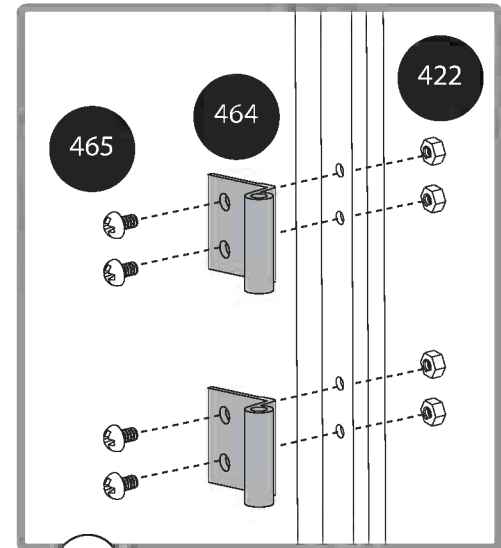
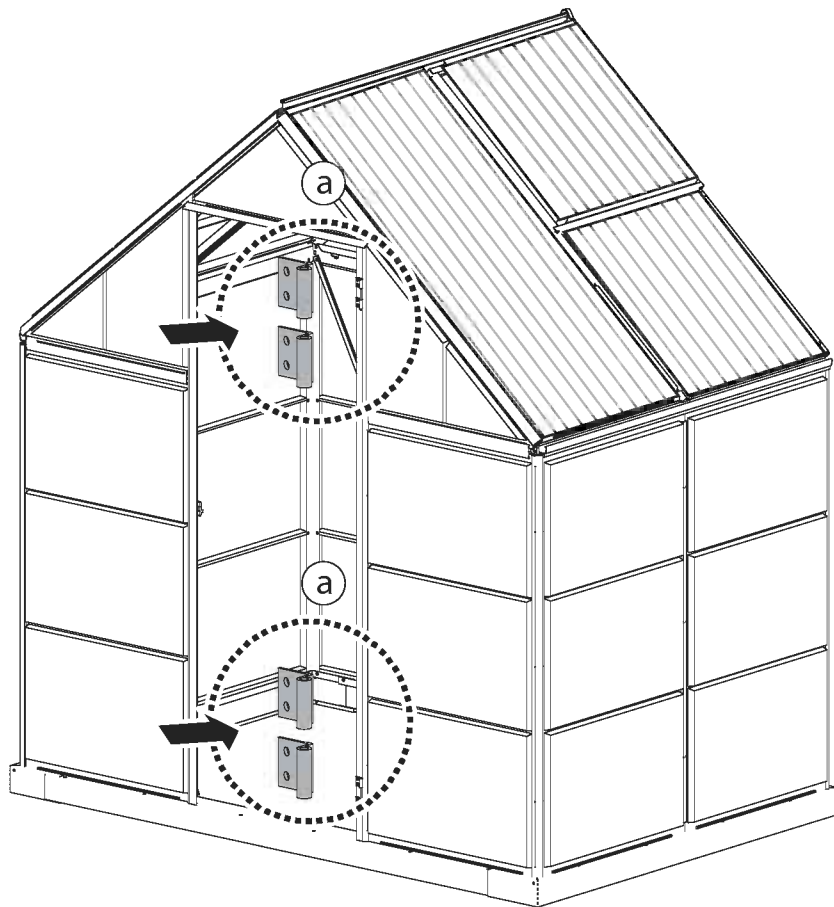
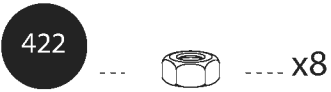
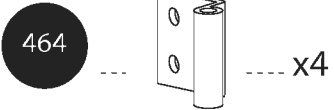
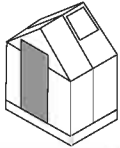
4043

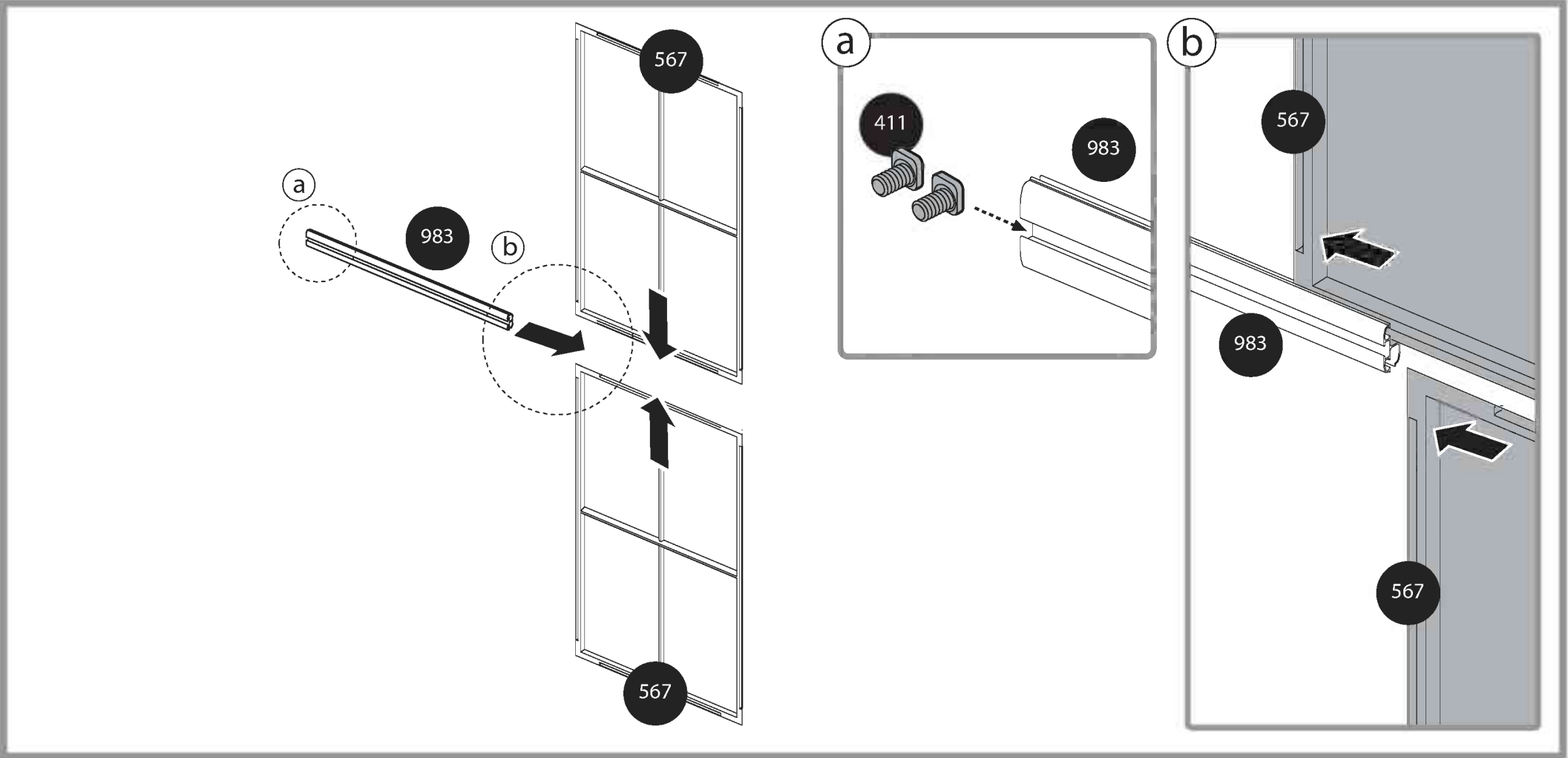
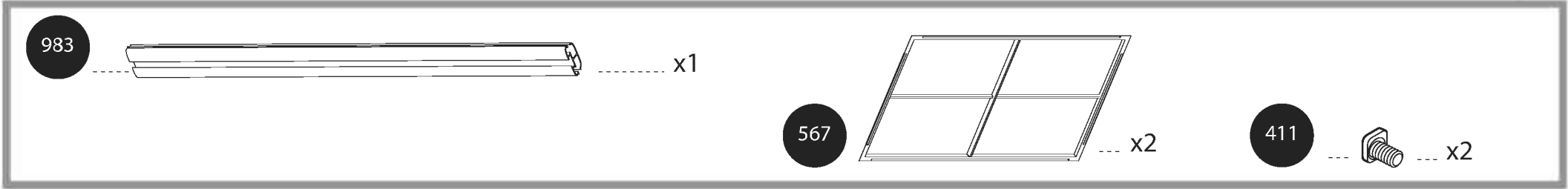
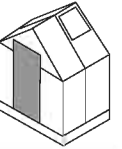


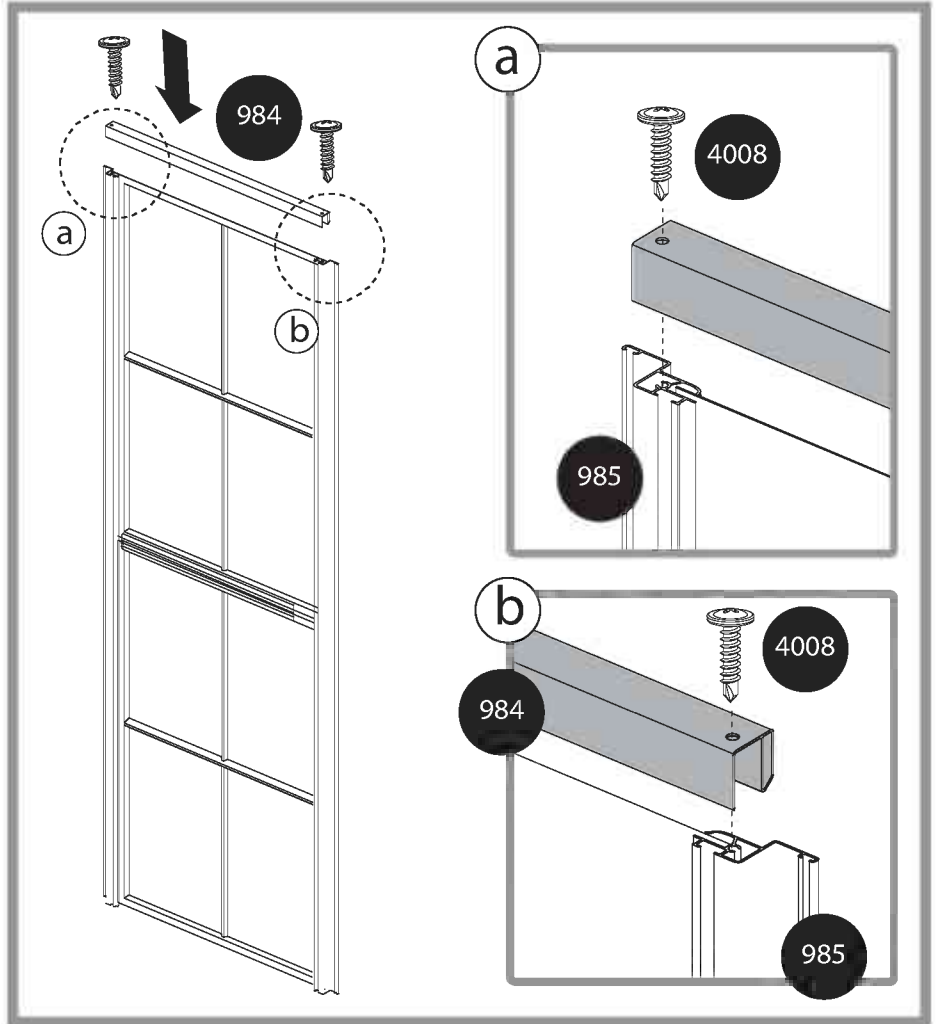
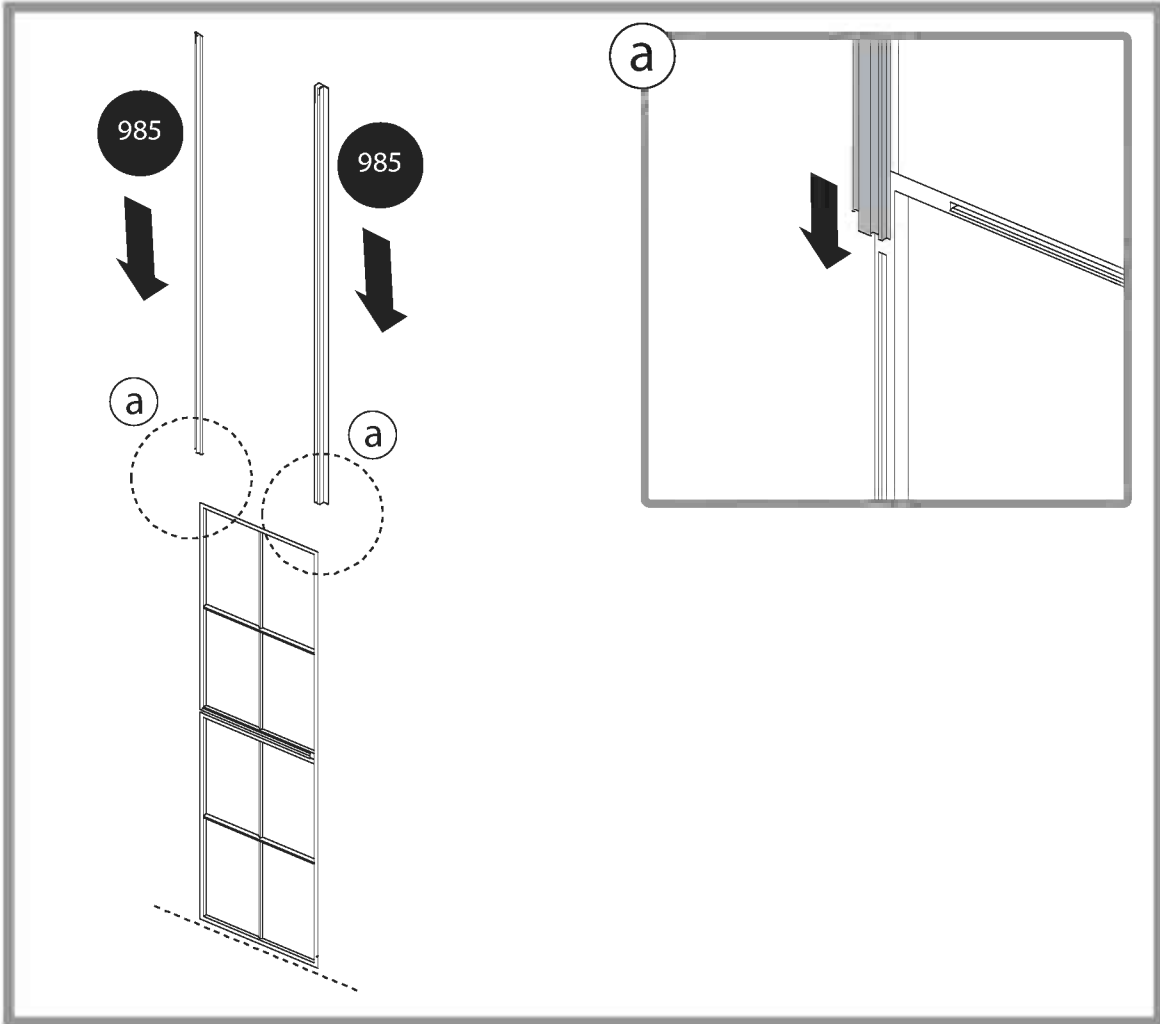
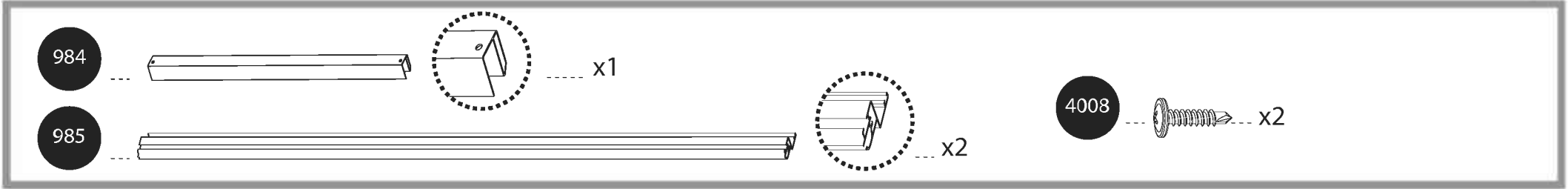
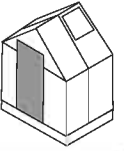


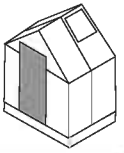












3016 x1

8710 x1

462 x2

412 x7

411 x7

a

411 x6

b

411 x1

3016

412

462

8710

412

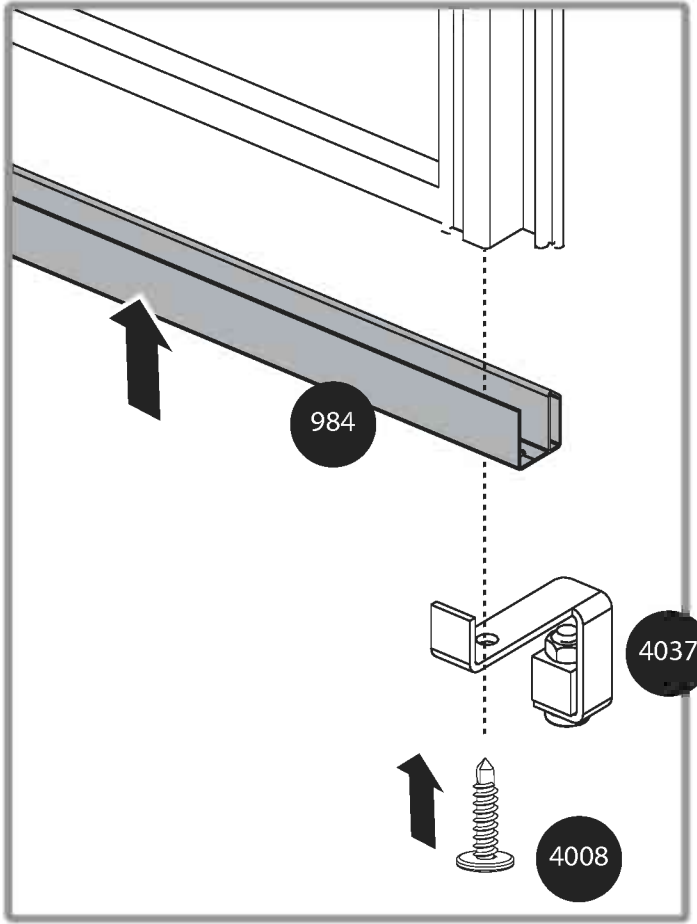
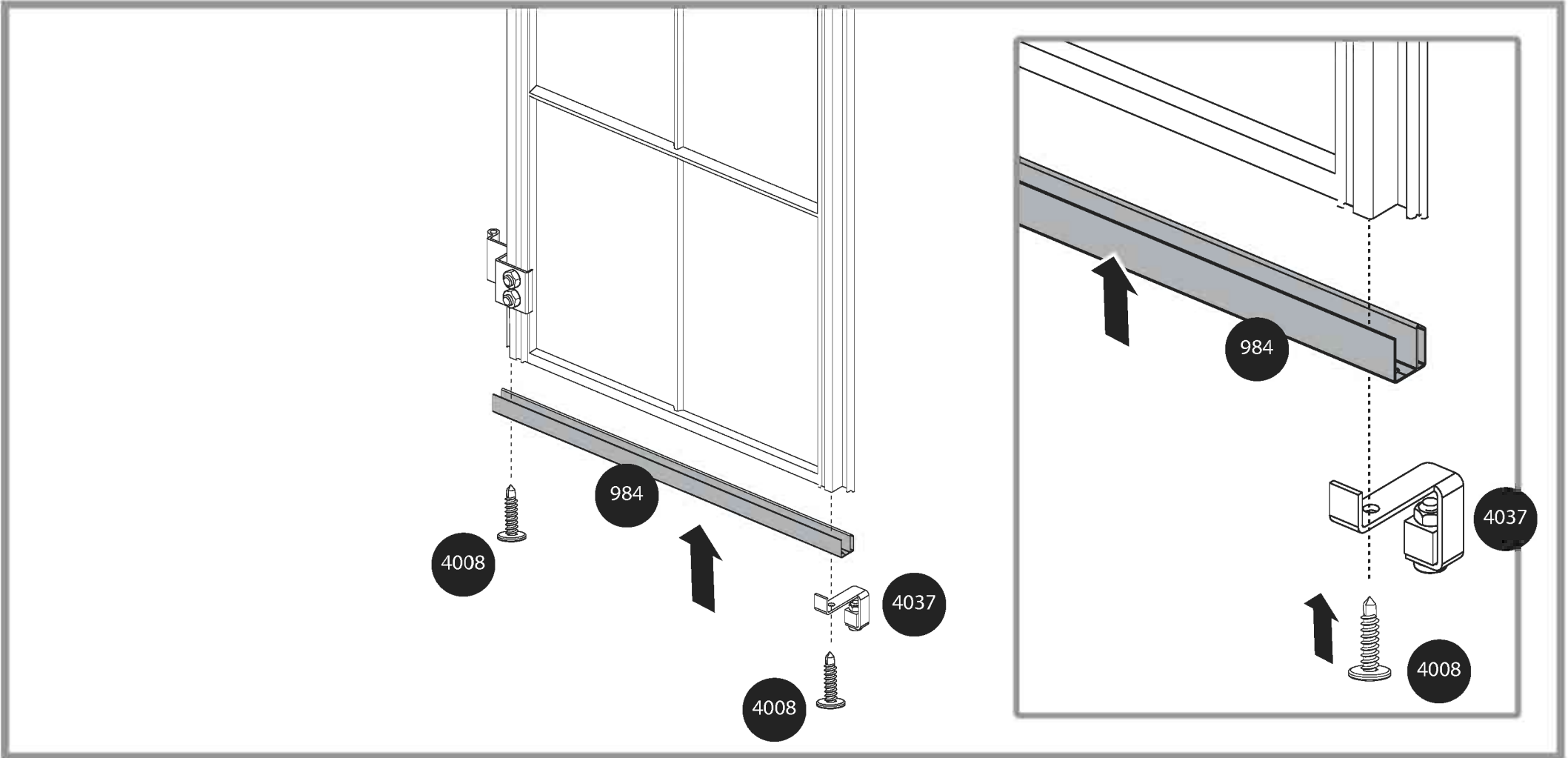
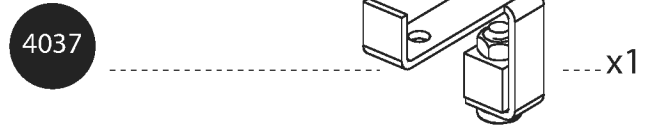
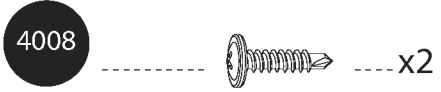
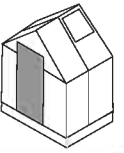
412

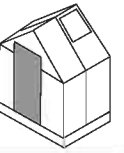
462

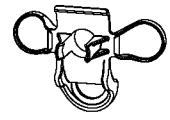
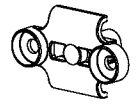
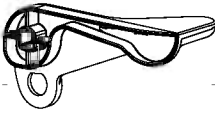
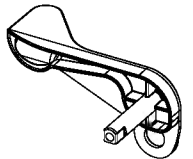



462

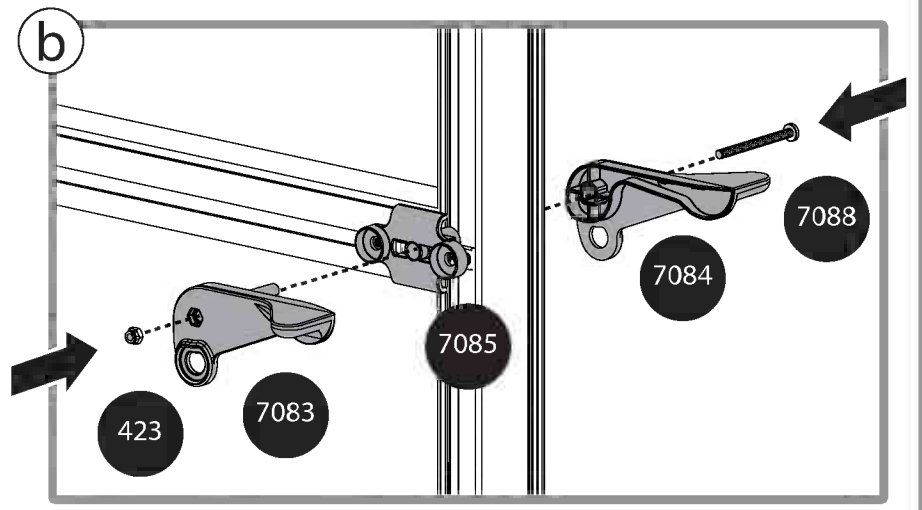
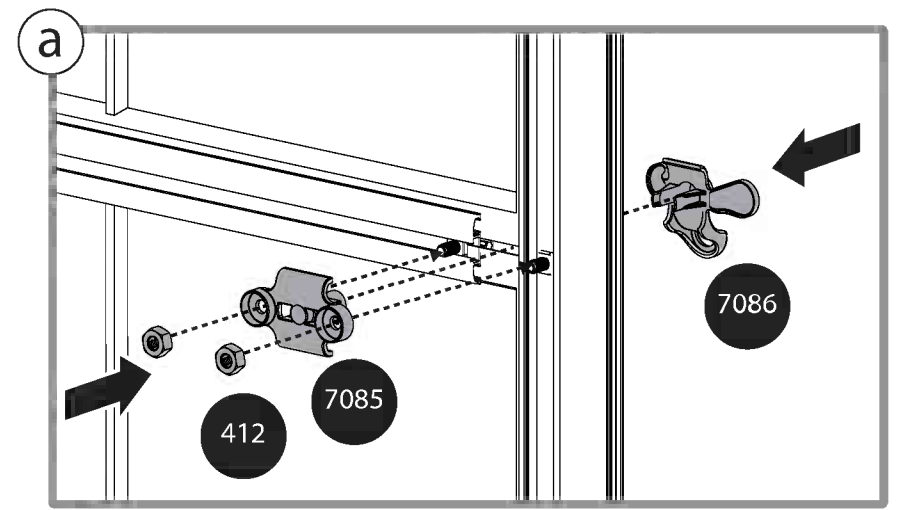
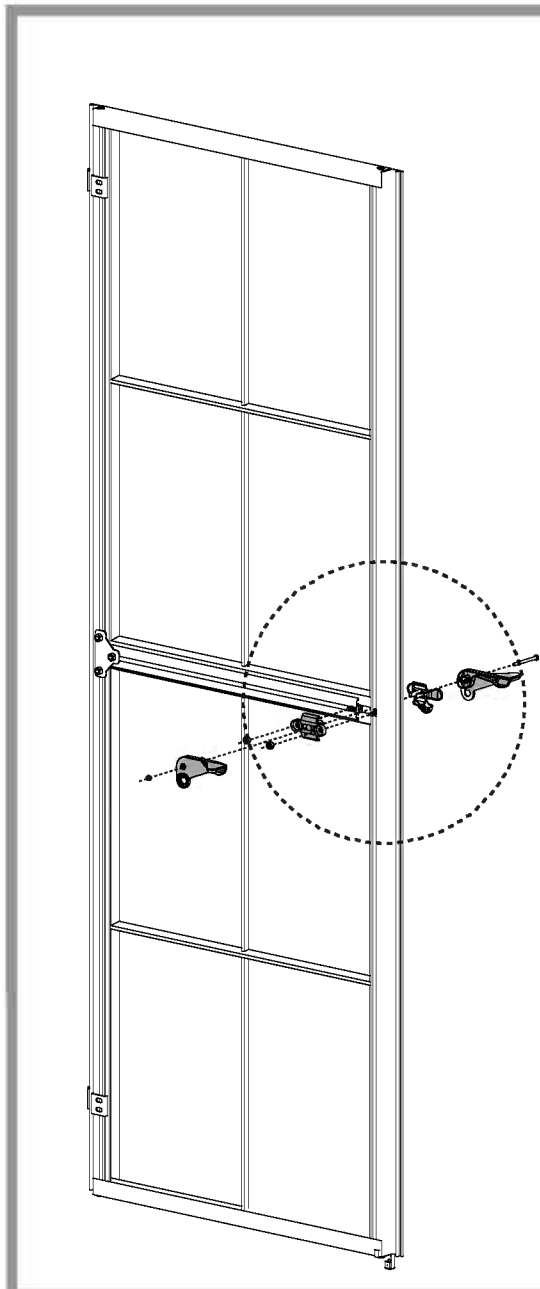
8710

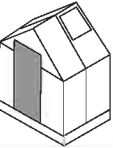
462



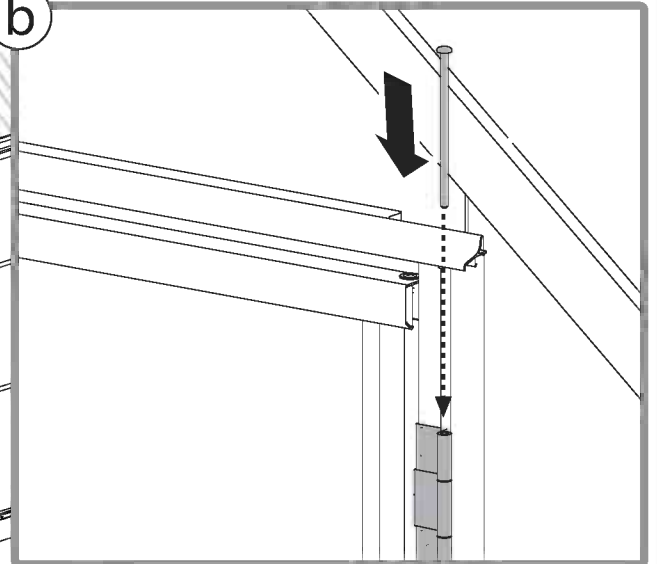
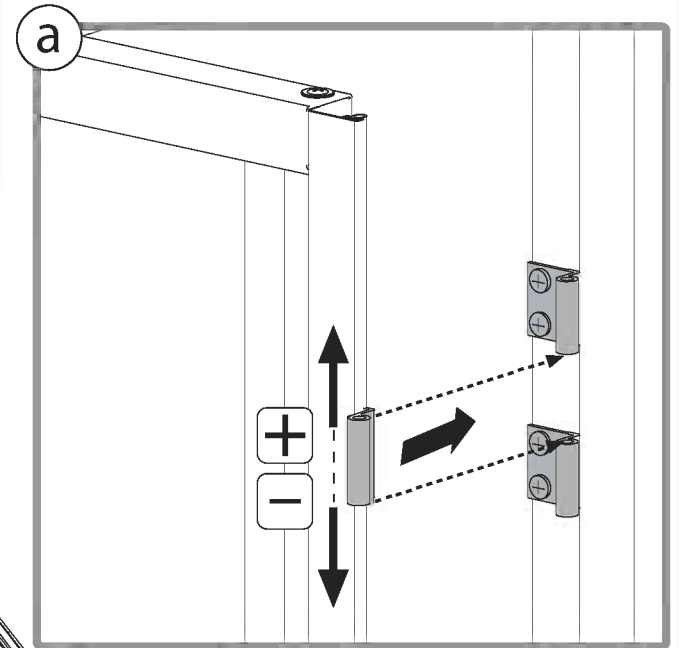
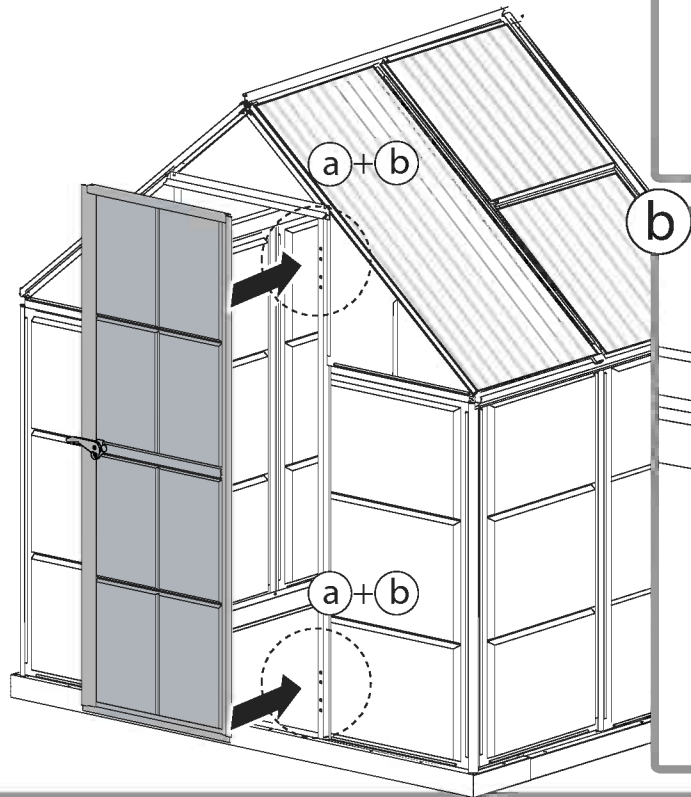
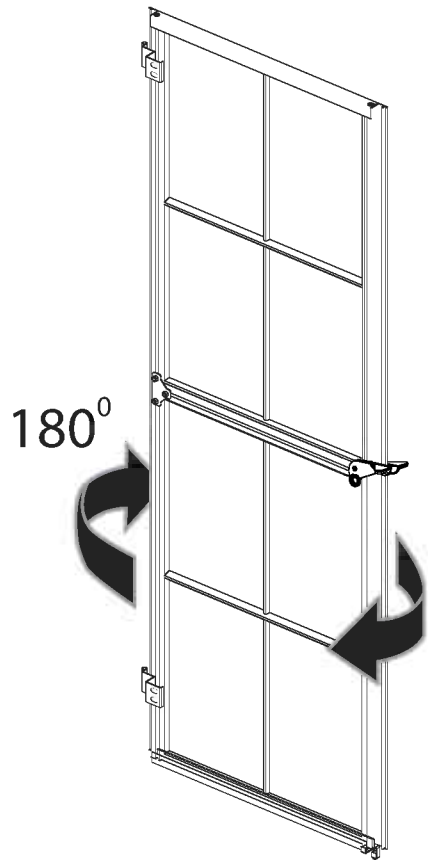


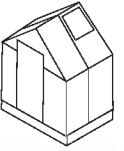
- 7086  x1
- 7085  x1
- 7084  x1
- 7083  x1
- 7088  x1
M4 x 50mm
- 423  x1
- 412  x2



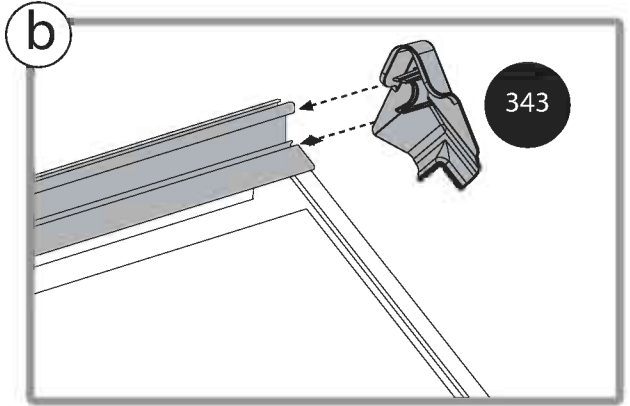
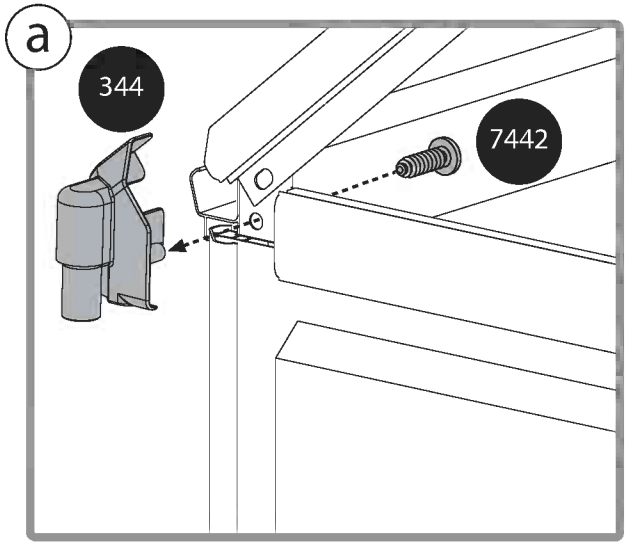
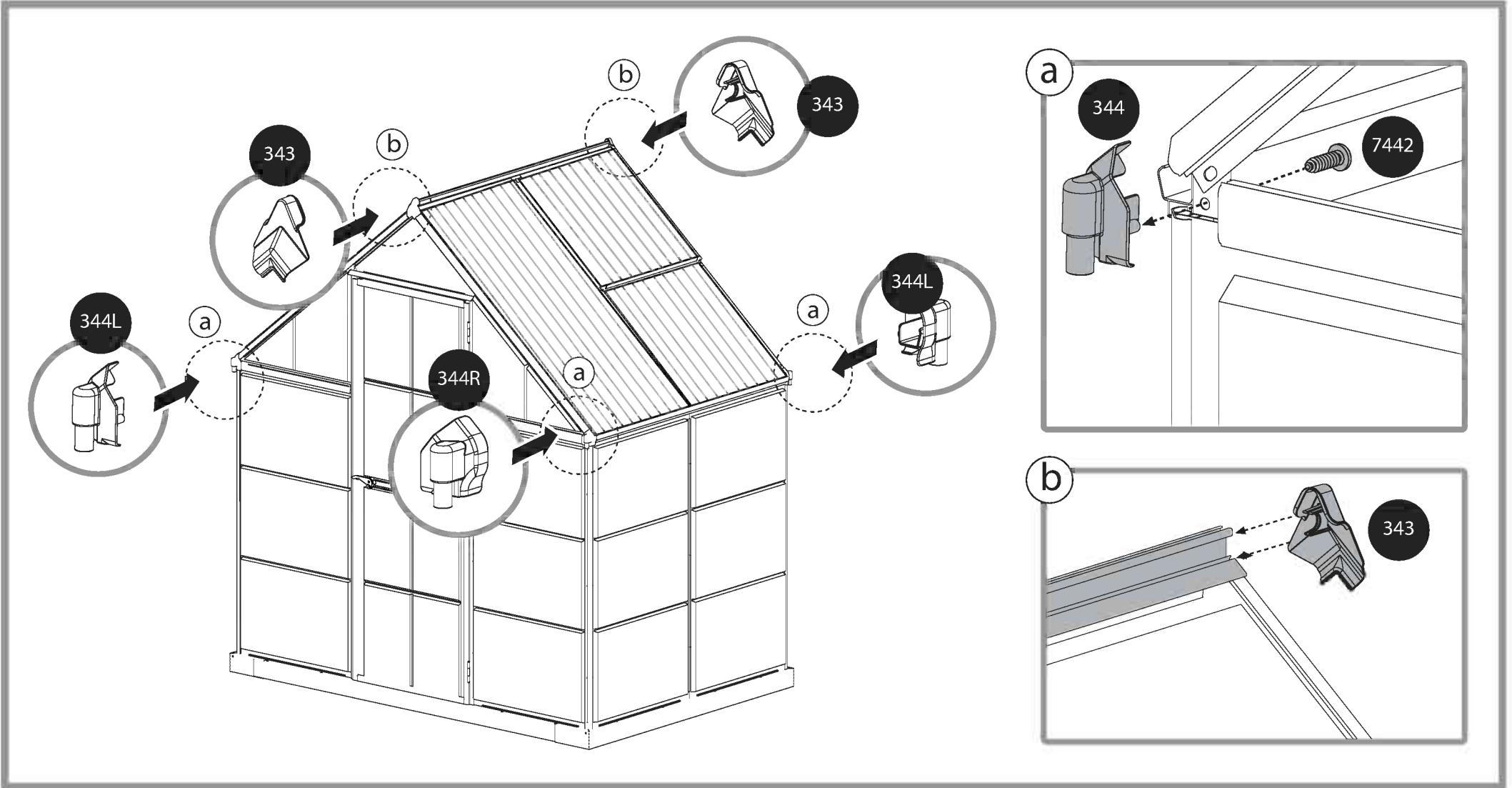


463x2





344L  x2 344R  x2 343  x2 7442  x4



Palram's 5 years Limited Warranty

Product Details: Greenhouses

Palram Applications (1995) Ltd (Company number: 512106824) whose registered office is at Teradion Industrial Park, M.P Misgav 20174, Israel ("Palram") warrants that the Product will be free from defects in material or workmanship for a period of Five years from the original date of purchase subject to the definitions, terms and conditions contained in this warranty.

1. Conditions

- 1.1 This warranty shall be valid only if the Product is installed, cleaned, handled and maintained in accordance with Palram's written recommendations.
- 1.2 Without derogating from the above, damage caused by use of force, incorrect handling, inappropriate use, neglectful use or assembly or maintenance, accidents, impact from foreign objects, vandalism, pollutants, alteration, painting, connecting, gluing, sealing not in accordance with the user's manual, or damage resulting from cleaning with incompatible detergents and minor deviations of the Product are not covered by this warranty.
- 1.3 This warranty does not apply to damage resulting from "force majeure", which includes but is not limited to, hail, storm, tornado, hurricane, blizzard, flood, fire effects.
- 1.4 This warranty is void if structural parts and components used are not compatible with Palram's written recommendations.
- 1.5 This Warranty applies only to the original purchaser of the Product. It does not extend to any other purchaser or user of the Product (including, but not limited to, any person who acquires the Product from the original purchaser).

2. Claims and Notifications

- 2.1 Every warranty claim must be notified in writing to Palram within 30 days after the discovery of the defective Product, enclosing the original sales receipt and this warranty.
- 2.2 The claimant must allow Palram to inspect the Product involved and the installation site itself while the Product is still in its original position and has not been removed or moved or altered in any way and/or return the Product to Palram for testing.
- 2.3 Palram reserves the right to investigate independently the cause of any failure.

3. Compensation

- 3.1 If a claim under this Warranty is properly notified and approved by Palram, the purchaser, at Palram's option, may either (a) purchase a replacement Product or part/s; or (b) receive refund of the original Product or part/s purchase price, all in accordance with the following schedule:

Period After Purchasing	Replacement Product or Part/s	Refund
From date of purchase up to end of 1 st year	Free of charge	100%
End of 1 st Year up to end of 2 nd year	purchaser will pay 20% of the original purchase price	80%
End of 2 nd year up to end of 3 rd year	purchaser will pay 40% of the original purchase price	60%
End of 3 rd year up to end of 4 th year	purchaser will pay 60% of the original purchase price	40%
End of 4 th year up to end of 5 th year	purchaser will pay 80% of the original purchase price	20%

- 3.2 For avoidance of any doubt, calculation for determination regarding compensation for defective part/s, according to the schedule above, will be based on the contribution of the defective part to the original cost of the Product. Palram reserves the right to provide substitutions if the Product or any part of it is unavailable or obsolete.
- 3.3 This warranty does not cover any costs and expenses of removal and installation of the Product or taxes or shipping cost or any other direct or indirect loss(es) which may result from the Product failure.

4. General Conditions and Limitations

- 4.1 OTHER THAN HAS BEEN SPECIFICALLY STATED IN THIS WARRANTY, ALL OTHER WARRANTIES, WHETHER EXPRESS OR IMPLIED, INCLUDING ALL IMPLIED WARRANTIES OF MERCHANTABILITY OR FITNESS FOR A PARTICULAR PURPOSE ARE EXCLUDED SO FAR AS THE LAW PERMITS.
- 4.2 EXCEPT WHERE WE HAVE SPECIFICALLY STATED IN THIS WARRANTY, PALRAM SHALL NOT BE LIABLE FOR ANY LOSSES OR DAMAGES THE PURCHASER SUFFERS DIRECTLY, INDIRECTLY, OR AS A CONSEQUENCE OF USING, OR IN ANY OTHER WAY CONNECTED TO THE PRODUCT.
- 4.3 IF PALRAM IS PROHIBITED UNDER ANY APPLICABLE LAW FROM EXCLUDING THE IMPLIED WARRANTIES OF MERCHANTABILITY OR FITNESS FOR A PARTICULAR PURPOSE IN RELATION TO THE PRODUCT, THE DURATION OF ALL SUCH IMPLIED WARRANTIES IS EXPRESSLY LIMITED TO THE DURATION OF THIS WARRANTY OR, IF LONGER, THE MAXIMUM PERIOD REQUIRED BY APPLICABLE LAW.
- 4.4 THE PURCHASER IS SOLELY RESPONSIBLE FOR DETERMINING WHETHER THE HANDLING, STORAGE, ASSEMBLY, INSTALLATION OR USE OF THE PRODUCT IS SAFE AND APPROPRIATE IN ANY LOCATION, FOR ANY GIVEN APPLICATION OR IN ANY GIVEN CIRCUMSTANCE. PALRAM ARE NOT RESPONSIBLE FOR ANY DAMAGES OR INJURY TO THE PURCHASER, ANY OTHER PERSON OR ANY PROPERTY RESULTING FROM THE IMPROPER HANDLING, STORAGE, INSTALLATION, ASSEMBLY OR USE OF THE PRODUCT OR THE FAILURE TO FOLLOW THE WRITTEN INSTRUCTIONS REGARDING THE HANDLING, STORAGE, INSTALLATION, ASSEMBLY AND USE OF THE PRODUCT.
- 4.5 UNLESS OTHERWISE EXPRESSLY INDICATED BY PALRAM, THE PRODUCT IS INTENDED FOR NORMAL RESIDENTIAL USE ONLY. PALRAM ARE NOT RESPONSIBLE FOR ANY LOSS, DAMAGE, COST OR EXPENSE RESULTING FROM ANY USE OF THE PRODUCT FOR ANY PURPOSE THAT IS NOT RECOMMENDED BY THE WRITTEN INSTRUCTIONS OR THAT IS NOT PERMITTED BY ANY APPLICABLE LEGISLATION OR OTHER CODES IN EFFECT IN THE LOCATION WHERE THE PURCHASER WILL USE THE PRODUCT.

EN

5 Jahre beschränkte Garantie von Palram

Angaben zum Produkt: Gewächshäuser

Palram Applications (1995) Ltd (Firmennummer:512106824) mit Sitz in Teradion Industrial Park, M.P Misgav 20174, Israel („Palram“) garantiert, dass das Produkt für einen Zeitraum von fünf Jahren ab dem Kaufdatum frei von Mängeln in Material und Verarbeitung wird, und den Definitionen, Begriffen und Bedingungen die in dieser Garantie enthalten sind unterliegt.

1. Bedingungen

- 1.1 Diese Garantie ist nur gültig, wenn das Produkt in Übereinstimmung mit den schriftlichen Empfehlungen von Palram installiert, gereinigt, behandelt und gepflegt ist.
- 1.2 Ohne Abweichung von oben genannten, Schäden, die durch Anwendung von Gewalt, unsachgemäße Behandlung, unsachgemäße Verwendung, nachlässige Nutzung, Montage oder Wartung, Unfälle, Auswirkungen von Fremdkörpern, Vandalismus, Verschmutzung, Veränderung, Malerei, Verbinden, Kleben und Dichten, nicht in Übereinstimmung mit der Bedienungsanleitung, verursacht werden, oder Schäden, die bei Reinigung mit inkompatiblen Reinigungsmitteln entstehen, so wie geringfügige Abweichungen des Produkts, werden durch diese Garantie nicht abgedeckt.
- 1.3 Diese Garantie gilt nicht für Schäden, die durch „höhere Gewalt“ verursacht werden (beinhaltend aber nicht beschränkt auf: Hagel, Sturm, Tornado, Hurrikan, Schneesturm, Überschwemmungen, Feuer Auswirkungen).
- 1.4 Diese Garantie erlischt, falls Bauteile und Komponente, die nicht mit den schriftlichen Empfehlungen von Palram kompatibel sind, verwendet werden.
- 1.5 Diese Garantie gilt ausschließlich für den ursprünglichen Käufer des Produkts. Sie erweitert sich nicht auf keine anderen Käufer oder Benutzer des Produkts (einschließlich, aber nicht beschränkt auf irgendeine andere Person die das Produkt von den ursprünglichen Käufer erwirbt).

2. Ansprüche und Mitteilungen

- 2.1 Jeder Gewährleistungsanspruch muss Palram innerhalb von 30 Tagen nach Entdeckung des fehlerhaften Produkts schriftlich vorgelegt werden. Hierzu reichen Sie bitte auch den Original-Kaufbeleg und diese Garantie mit ein.
- 2.2 Der Antragsteller muss Palram erlauben den betroffenen Produkt und den Aufstellungsort selbst zu überprüfen, während das Produkt noch in seiner ursprünglichen Position ist und nicht entfernt oder verschoben oder in irgendeiner Weise verändert wurde, und/oder den Produkt an Palram zum Testen zu senden.
- 2.3 Palram behält sich das Recht vor die Fehlerursachen unabhängig zu untersuchen.

3. Entschädigung

- 3.1 Ist ein Anspruch gemäß dieser Garantie ordnungsgemäß angemeldet und bei Palram genehmigt worden, kann der Käufer, nach eigenem Ermessen von Palram, entweder (a) ein Ersatzprodukt oder Teil/e erwerben; oder (b) eine Erstattung des ursprünglichen Produkt oder Teil/e Kaufpreises erhalten, alles in Übereinstimmung mit dem folgenden Schema:

Zeitraum nach Erwerbung	Ersatzprodukt bzw. Ersatzteil/e	Rückerstattung
Ab Kaufdatum bis zum Ende des 1. Jahr	Kostenlos	100%
Ende des 1. Jahr bis zum Ende des 2. Jahr	Käufer zahlt 20% des ursprünglichen Kaufpreises	80%
Ende des 2. Jahr bis zum Ende des 3. Jahr	Käufer zahlt 40% des ursprünglichen Kaufpreises	60%
Ende des 3. Jahr bis zum Ende des 4. Jahr	Käufer zahlt 60% des ursprünglichen Kaufpreises	40%
Ende des 4. Jahr bis zum Ende des 5. Jahr	Käufer zahlt 80% des ursprünglichen Kaufpreises	20%

- 3.2 Um jegliche Zweifel auszuschließen, wird sich die Berechnung für die Bestimmung über Entschädigungen für defekte Teil/e, entsprechend der obigen Schema, auf dem Beitrag des defekten Teils an den ursprünglichen Kosten des Produktes beruhen. Palram behält sich das Recht vor für ein Ersatz zu sorgen, falls der Produkt oder ein Teil davon nicht verfügbar oder veraltet ist.
- 3.3 Diese Garantie erstreckt sich nicht auf Kosten und Ausgaben für Aus- und Einbau des Produkts oder Steuern oder Versandkosten oder sonstige direkte oder indirekte Verlust/e die sich von einem Produktfehler ergeben können.

4. Allgemeine Bedingungen und Einschränkungen

- 4.1 ANDERS ALS BESONDERS IN DIESER GARANTIE ANGEGBEN, ALLE ANDEREN GARANTIE, OB AUSDRÜCKLICH ODER IMPLIZIT, EINSCHLIESSLICH ALLER EINGESCHLOSSENEN GARANTIELEISTUNGEN DER MARKTGÄNGIGKEIT ODER EIGNUNG FÜR EINEN BESTIMMTEN ZWECK SIND SO WEIT DIES RECHTLICH MÖGLICH IST AUSGESCHLOSSEN.
- 4.2 AUSSER ALS AUSDRÜCKLICH IN DIESER GARANTIE ANGEGBEN, HAFTET PALRAM NICHT FÜR IRGENDWELCHE VERLUSTE ODER SCHÄDEN DIE DER KÄUFER, DIREKT ODER INDIREKT ODER ALS FOLGE DER NUTZUNG ODER IN IRGENDWELCHEN ANDEREN MIT DEM PRODUKT VERBUNDENEN WEISE LEIDET.
- 4.3 FALLS PALRAM EIN AUSSCHLUSS DER STILLSCHWEIGENDEN GARANTIE DER MARKTGÄNGIGKEIT ODER EIGNUNG FÜR EINEN BESTIMMTEN ZWECK IN BEZUG AUF DAS PRODUKT NACH GELTENDEM RECHT NICHT GESTATTET IST, WIRD DIE DAUER ALLER SOLCHEN GARANTIE AUSDRÜCKLICH AUF DIE DAUER DIESER GARANTIE BESCHRÄNKT, ODER FALLS LÄNGER, AUF DIE GESETZLICH VORGESCHRIEBENE HÖCHSTDAUER.
- 4.4 DER KÄUFER IST ALLEIN DAFÜR VERANTWORTLICH FESTZUSTELLEN, OB DIE HANDHABUNG, LAGERUNG, MONTAGE, INSTALLATION ODER VERWENDUNG DES PRODUKTS AN BELIEBIGEN STANDORT UND FÜR JEDE GEGEBENE ANWENDUNG ODER SITUATION, SICHER UND ANGEMESSEN IST. PALRAM IST NICHT VERANTWORTLICH FÜR SCHÄDEN ODER VERLETZUNGEN DES KÄUFERS, ANDERER PERSONEN ODER DES EIGENTUMS, DIE IN FOLGE EINER UNSACHGEMÄSSEN HANDHABUNG, LAGERUNG, EINBAU, MONTAGE ODER NUTZUNG DES PRODUKTS ODER DURCH NICHTBEACHTUNG DER ANWEISUNGEN ZUR HANDHABUNG, LAGERUNG, EINBAU, MONTAGE UND NUTZUNG DES PRODUKTES ENTSTANDEN SIND.
- 4.5 SOWEIT NICHT AUSDRÜCKLICH ANDERS BY PALRAM ANGEGBEN, IST DAS PRODUKT FÜR NORMALE WOHNNUTZUNG BESTIMMT. PALRAM HAFTET NICHT FÜR VERLUSTE, SCHÄDEN, KOSTEN ODER AUSGABEN, DIE AUS EINER NICHT VON DEN ANWEISUNGEN EMPFOHLENE VERWENDUNG DES PRODUKTS ZU IRGEND EINEM ZWECK ENTSTEHEN ODER DIE VON KEINEM GELTENDEN RECHTSVORSCHRIFTEN ODER ANDEREN CODES ERLAUBT SIND DIE AN DEM ORT WO DER KÄUFER DEN PRODUKT BENUZEN WIRD IN KRAFT SIND.

DE

Garantie limitée à 5 ans de Palram

Détails du produit: Serres

Palram Applications (1995) Ltd (Compagnie n° 512106824) dont le siège social est adressé au Parc Industriel Teradion, M.P. Misgav 20174, Israël ("Palram") garantit que le Produit n'a aucun défaut de matériel ou de manufacture pour une période de cinq ans à dater de la date d'acquisition, conformément aux définitions et conditions incluses dans cette garantie.

1. Conditions

- 1.1 Cette garantie ne sera valide que si le Produit est installé, nettoyé, manipulé et entretenu conformément aux recommandations écrites de Palram.
- 1.2 Sans déroger de ce qui est susdit, tout dommage causé par usage de la force, une mauvaise manipulation, un usage inapproprié, une utilisation, un montage ou une maintenance négligente, des accidents, un impact avec d'autres objets étrangers, du vandalisme, des polluants, un dégât, une peinture, connexion, collage, scellage qui n'est pas conforme avec le manuel de l'utilisateur ou tout dommage résultant de son nettoyage avec un détergent incompatible et les moindres déviations du Produit ne sont pas couverts par cette garantie.
- 1.3 Cette garantie ne s'applique pas aux dommages résultant d'un acte de force majeure, qui comprend mais n'est pas limité par la grêle, la tempête, une tornade, un ouragan, un blizzard, une inondation ou les effets d'un incendie.
- 1.4 Cette garantie est nulle si des parties de la structure et des composants ne sont pas compatibles avec les recommandations écrites par Palram.
- 1.5 Cette garantie ne s'applique qu'à l'acheteur d'origine du Produit. Elle ne s'étend pas à tout autre acquéreur ou utilisateur du Produit (y compris mais non limité à toute personne qui acquerrait le Produit de son acquéreur d'origine).

2. Réclamations et notifications

- 2.1 Toute demande de garantie doit être notifiée par écrit à Palram dans les 30 jours suite à la découverte du produit défectueux, accompagnée du ticket de caisse original et de cette garantie.
- 2.2 Le demandeur doit permettre à Palram d'inspecter le Produit impliqué et le site d'installation lorsque le Produit est dans son emplacement d'origine et n'a pas été enlevé ou déplacé ni modifié de quelque façon et/ou envoyer le Produit à Palram pour vérification.
- 2.3 Palram se réserve le droit d'enquêter indépendamment sur la cause de toute panne.

3. Compensation

- 3.1 Si une réclamation sous cette Garantie est convenablement notifiée et approuvée par Palram, l'acheteur, au choix de Palram, peut soit (a) acquérir un Produit de remplacement ou des pièces; ou (b) recevoir un remboursement du prix d'achat du Produit d'origine ou d'une partie, tout cela conformément à la table suivante:

Période depuis l'achat	Produit de remplacement ou partie	Remboursement
Jusqu'à un an après l'achat	Gratuit	100%
De la fin de la 1 ^{ère} année à la fin de la 2 ^{ème}	L'acquéreur paiera 20% du prix d'achat d'origine	80%
De la fin de la 2 ^{ème} année à la fin de la 3 ^{ème}	L'acquéreur paiera 40% du prix d'achat d'origine	60%
De la fin de la 3 ^{ème} année à la fin de la 4 ^{ème}	L'acquéreur paiera 60% du prix d'achat d'origine	40%
De la fin de la 4 ^{ème} année à la fin de la 5 ^{ème}	L'acquéreur paiera 80% du prix d'achat d'origine	20%

- 3.2 Pour éviter le moindre doute, le calcul pour déterminer la compensation pour des pièces défectueuses, selon la table ci-dessus, sera basé sur la contribution de la pièce défectueuse au coût d'origine du Produit. Palram se réserve le droit de fournir des substitutions si le Produit ou une partie de celui-ci n'est plus disponible ou est obsolète.
- 3.3 Cette garantie ne couvre pas les coûts et les dépenses de déplacement et d'installation du Produit ou les taxes et frais de port ou toute autre perte directe ou indirecte qui pourrait résulter de la panne du Produit.

4. Conditions générales et limitations

- 4.1 MIS A PART CE QUI A ETE SPECIFIQUEMENT INDIQUE DANS CETTE GARANTIE, TOUTES LES AUTRES GARANTIES, EXPRESSES OU SOUS-ENTENDUES, Y COMPRIS TOUTES LES GARANTIES SOUS-ENTENDUES DE VALEUR MARCHANDE OU D'ADAPTABILITE POUR UN OBJECTIF PARTICULIER SONT EXCLUES POUR AUTANT QUE LA LOI LE PERMET.
- 4.2 MIS A PART LA OU NOUS L'AVONS SPECIFIQUEMENT DECLARE DANS CETTE GARANTIE, PALRAM N'EST PAS RESPONSABLE DE TOUTE PERTE OU DOMMAGE DONT L'ACQUEUREUR SOUFFRIRAIT, DIRECTEMENT, INDIRECTEMENT OU EN CONSEQUENCE DE L'UTILISATION DU PRODUIT OU DE TOUTE AUTRE MANIERE LIEE AU PRODUIT.
- 4.3 SI PALRAM N'A PAS LE DROIT SELON LA MOINDRE LOI APPLICABLE D'EXCLURE LES GARANTIES SOUS-ENTENDUES DE VALEUR MARCHANDE OU D'ADAPTABILITE A UNE FIN SPECIFIQUE EN RAPPORT AVEC LE PRODUIT, LA DUREE D'UNE TELLE GARANTIE EST EXPRESSEMENT LIMITEE A CELLE DE CETTE GARANTIE OU, SI ELLE EST PLUS LONGUE, A LA PERIODE MAXIMALE EXIGEE PAR LA LOI.
- 4.4 L'ACHETEUR EST LE SEUL RESPONSABLE DANS LA DETERMINATION SI LA MANIPULATION, LE STOCKAGE, LE MONTAGE, L'INSTALLATION OU L'UTILISATION DU PRODUIT EST SURE ET APPROPRIEE POUR TOUT ENDRIT, POUR TOUTE APPLICATION DONNEE OU DANS TOUTE CIRCONSTANCE DONNEE. PALRAM N'EST PAS RESPONSABLE DE TOUT DOMMAGE OU BLESSURE CAUSE A L'ACHETEUR, TOUTE AUTRE PERSONNE OU BIEN RESULTANT D'UNE MANIPULATION, UN STOCKAGE, UNE INSTALLATION, UN MONTAGE OU UNE UTILISATION DU PRODUIT OU UN MANQUE A SUIVRE LES INSTRUCTIONS ECRITES CONCERNANT LA MANIPULATION, LE STOCKAGE, LE MONTAGE, L'INSTALLATION OU L'UTILISATION DU PRODUIT.
- 4.5 SAUF SI INDIQUE EXPRESSEMENT PAR PALRAM, LE PRODUIT EST DESTINE A UN USAGE RESIDENTIEL NORMAL SEULEMENT. PALRAM N'EST PAS RESPONSABLE DE TOUTE PERTE, DOMMAGE, FRAIS OU DEPENSE RESULTANT D'UNE UTILISATION DU PRODUIT POUR TOUTE FIN QUI N'EST PAS RECOMMANDEE PAR LES INSTRUCTIONS ECRITES OU QUI N'EST PAS PERMISE PAR LA MOINDRE LOI OU AUTRES CODES APPLICABLES DANS L'ENDROIT OU L'ACQUEUREUR UTILISERAIT LE PRODUIT.

FR

Palrams 5 års Begrænset Garanti

Produktdetaljer: Drivhuse

Palram Applications (1995) Ltd. (Virksomhedsregistreringsnummer: 512106824), registreret på adressen Teradion Industrial Park, M.P. Misgav 20174, Israel ("Palram"), garanterer at Produktet ikke lider af materielle fejl eller fabrikationsfejl i en periode på fem år fra købsdatoen, underlagt definitionerne og vilkårene indeholdt i denne garanti.

1. Vilkår

- 1.1 Denne garanti er kun gældende, hvis Produktet er installeret, rengjort, håndteret og vedligeholdt i overensstemmelse med Palrams skrevne anbefalinger.
- 1.2 Uden at afvige fra det ovennævnte, er skade opstået grundet brug af fysisk magt, ukorrekt håndtering, upassende brug, forsømmelig brug, samling eller vedligeholdelse, uheld, indvirken fra fremmedlegemer, vandalisme, forurenende stoffer, ændringer, maling, tilslutning, limning, forsejling, der ikke er i overensstemmelse med brugsvejledningen, eller skade som resultat af rengøring med ikke-kompatible rengøringsmidler og mindre afvigelser ved Produktet ikke dækket af denne garanti.
- 1.3 Denne garanti dækker ikke skade som resultat af "naturens handling", hvilket omfatter, men er ikke begrænset til hagl, storm, tornadoer, orkaner, snestorme, oversvømmelse, følger af brand.
- 1.4 Denne garanti er ugyldig, hvis der benyttes konstruktionsdele og løse dele, der ikke er kompatible med Palrams skrevne anbefalinger.
- 1.5 Denne garanti er kun gældende for Produktets oprindelige køber. Den omfatter ikke andre købere eller brugere af Produktet (inklusiv, men ikke begrænset til, enhver person der erhverver Produktet fra den oprindelige køber).

2. Krav og Bekendtgørelser

- 2.1 Ethvert garantikrav skal bekendtgøres skriftligt til Palgram inden for 30 dage, efter opdagelsen af det defekte Produkt, og vedlægges den originale kvittering og denne garanti.
- 2.2 Skadesanmelderen skal lade Palram undersøge Produktet, der er tale om, og selve installationen, mens Produktet stadig befinder sig i sin oprindelige position og ikke er blevet fjernet eller flyttet eller ændret på nogen måde, og/eller lade produktet sende tilbage til Palram for afprøvning.
- 2.3 Palram forbeholder sig retten til selvstændigt at undersøge årsagen til dette funktionssvigt.

3. Erstatning

- 3.1 Hvis et krav i henhold til denne garanti bekendtgøres korrekt og godkendes af Palram, kan køberen, efter Palrams valg, (a) købe et erstatningsprodukt eller del/e, eller (b) modtage refundering for det oprindelige Produkts eller del/es købspris, alt i henhold til den følgende oversigt:

Periode Efter Køb	Erstatningsprodukt eller Del/e	Refundering
Fra købsdato til udgangen af 1. år	Uden beregning	100%
Udgangen af 1. år til udgangen af 2. år	køber vil betale 20 % af den oprindelige købspris	80%
Udgangen af 2. år til udgangen af 3. år	køber vil betale 40 % af den oprindelige købspris	60%
Udgangen af 3. år til udgangen af 4. år	køber vil betale 60 % af den oprindelige købspris	40%
Udgangen af 4. år til udgangen af 5. år	køber vil betale 80 % af den oprindelige købspris	20%

- 3.2 For at undgå tvivl vil beregning for bestemmelse af erstatning for defekt(e) del/e, i henhold til oversigten ovenfor, blive baseret på den defekte dels dækning i forhold til Produktets oprindelige pris. Palram forbeholder sig retten til at levere erstatninger, hvis Produktet, eller nogen del af dette, er utilgængeligt eller forældet.
- 3.3 Denne garanti dækker ikke omkostninger eller udgifter ved fjernelse og installation af Produktet, eller afgifter, eller forsendelsesomkostninger, eller nogen direkte eller indirekte tab, der kan opstå grundet Produktfejl.

4. Almindelige Betingelser og Begrænsninger

- 4.1 UD OVER HVAD DER ER BLEVET SPECIFIKT ANFØRT I DENNE GARANTI, ER ALLE ANDRE GARANTIER, OM UDTRYKT ELLER UNDERFORSTÅET, OMFATTENDE ALLE UNDERFORSTÅEDE GARANTIER VEDRØRENDE SALGBARHED ELLER EGNETHED TIL ET SPECIFIKT FORMÅL UNDTAGET FOR SÅ VIDT LOVEN TILLADER
- 4.2 MED UNDTAGELSE AF, HVOR VI HAR SPECIFIKT ANFØRT DET I DENNE GARANTI, ER PALRAM IKKE ANSVARLIG FOR NOGEN TAB ELLER SKADER, SOM KØBEREN LIDER DIREKTE, INDIREKTE, ELLER SOM EN FØLGE AF BRUG, ELLER PÅ NOGEN ANDEN MÅDE FORBINDELSE TIL PRODUKTET.
- 4.3 HVIS PALRAM UDELUKKES FRA, I HENHOLD TIL ENHVER GÆLDENDE LOV, AT UNDTAGE DEN UNDERFORSTÅEDE SALGBARHEDS ELLER EGNETHEDSGARANTI FOR ET SPECIFIKT FORMÅL I FORHOLD TIL PRODUKTET, ER VARIGHEDEN AF ALLE SÅDANNE UNDERFORSTÅEDE GARANTIER UDTRYKkelig BEGRÆNSET TIL VARIGHEDEN AF DENNE GARANTI, ELLER, HVIS LÆNGERE, DEN MAKSIMALE PERIODE KRÆVET AF GÆLDENDE LOVGIVNING.
- 4.4 KØBEREN ER ENEANSVARLIG FOR AT BESLUTTE OM HÅNDBTERINGEN, OPBEVARINGEN, SAMLINGEN, INSTALLATIONEN ELLER BRUGEN AF PRODUKTET ER SIKKERT OG PASSENDE PÅ ETHVERT OMRÅDE, TIL ENHVER APPLIKATION ELLER UNDER ETHVERT GIVENT FORHOLD. PALRAM ER IKKE ANSVARLIG FOR NOGEN SKADER ELLER KVÆSTELSER KØBER, ENHVER ANDEN PERSON, ELLER EJENDOM MÅTTE LIDE, SOM RESULTAT AF UKORREKT HÅNDBTERING, OPBEVARING, INSTALLATION, SAMLING ELLER BRUG AF PRODUKTET ELLER UNDLADELSE AF AT FØLGE DE SKREVNE ANBEFALINGER VEDRØRENDE HÅNDBTERING, OPBEVARING, INSTALLATION, SAMLING OG BRUG AF PRODUKTET.
- 4.5 MEDMINDRE ANDET ER UDTRYKkelig ANGIVET AF PALRAM, ER PRODUKTET KUN BEREGET TIL ALMINDELIG BOLIGFORMÅL. PALRAM ER IKKE ANSVARLIG FOR TAB, SKADE, OMKOSTNINGER ELLER UDGIFTER SOM RESULTAT AF NOGEN BRUG AF PRODUKTET TIL NOGET, DER IKKE ER ANBEFALET I DE SKREVNE ANBEFALINGER, ELLER IKKE ER TILLADT I HENHOLD TIL NOGEN GÆLDENDE LOVGIVNING ELLER ANDRE GÆLDENDE REGLER PÅ DET STED, HVOR KØBER VIL BRUGE PRODUKTET.

DA

Begränsningar i Palrams 5-års garanti

Egenskaper: Växthus

Palram Applications (1995) Ltd (Bolagsnummer: 512106824) vars registrerade huvudkontor har adressen: Teradion Industrial Park, M.P Misgav 20174, Israel ("Palram") garanterar att produkten är elfri avseende material och bearbetning under en period av 5 år från inköpsdagen i enlighet med definitionerna och villkoren i denna garanti.

1. Villkor

- 1.1 Denna garanti gäller endast produkter som installerats, skötts, underhållits och hållits rena enligt anvisningarna i Palrams handbok.
- 1.2 Övan nämnda garanti gäller inte vid skador till följd av alltför kraftig användning, fel eller olämplig användning, vårdslös installation, vårdslöst bruk eller underhåll, missöden, skador som främmande föremål gett upphov till, skadegörelse, smuts, förändringar, målning, fogar, limning, tejpnjning, olämpliga tätningar eller skador som uppkommit på grund av olämpliga rengöringsmedel. Små avvikelser omfattas inte av garantin.
- 1.3 Garantin täcker inte naturfenomen eller skador orsakade av dessa, såsom hagel, tung snö, storm, virvelvindar, orkaner, blixnar, vind eller översvämningar.
- 1.4 Garantin gäller inte om man för växuset använder olämpliga byggsatser eller komponenter som inte rekommenderas av tillverkaren (Palram).
- 1.5 Garantin gäller endast den ursprungliga köparen/mottagaren. Garantin kan inte överföras till följande ägare eller en annan användare. taikka seuraaville omistajille.

2. Reklamationer och anmälningar

- 2.1 Varje garantianspråk måste underrättas skriftligen till Palram inom 30 dagar efter upptäckten av en defekt produkt, innehållande originalkvittot för försäljningen och den här garantin.
- 2.2 Käranden (den som gjort reklamationen) ska låta tillverkaren/tillverkarens företrädare granska den felaktiga produkten på produktens ursprungliga plats i det skick som den är efter skadan. Produkten får inte ändras, repareras, flyttas eller skickas till tillverkaren/företrädaren innan tillstånd för detta har getts.
- 2.3 Tillverkaren (Palram) förbehåller sig rätten att självständigt undersöka orsaken till felet.
3. Ersättning
- 3.1 När reklamationen har anmälts enligt villkoren i garantin och godkänts av Palram har köparen (käranden) rätt att få nya delar eller en ny produkt eller en ersättning som står i proportion till skadan och anskaffningspriset enligt följande tabell:

Tid sedan anskaffning	Ersättande produkt/del	Ersättning
1 år sedan anskaffning	Utan avgift	100%
1 => 2 år sedan anskaffning	Självrisk andel 20 %	80%
2 => 3 år sedan anskaffning	Självrisk andel 40 %	60%
3 => 4 år sedan anskaffning	Självrisk andel 60 %	40%
4 => 5 år sedan anskaffning	Självrisk andel 80 %	20%

- 3.2 För att undvika alla misstankar, felkalkyleringar eller missförstånd vad gäller ersättning, beräknas den i tabellen framställda ersättningen alltid enligt den andel som den felaktiga/skadade delen utgör av hela produktens anskaffningspris. Tillverkaren förbehåller sig rätten att leverera en ersättande produkt/produkt del om originaldelar inte längre är tillgängliga eller om delarna eller produkterna är föråldrade.
- 3.3 Garantin ersätter inte utgifter som orsakats av installation, nedmontering, flyttning eller reparation av produkten och inte heller utgifter som orsakats av direkta eller indirekta utgifter och förluster för att produkten haft fel eller skador, t.ex. skatter, flyttningsavgifter, leverans- och sändningsavgifter.

4. Allmänna villkor och begränsningar

- 4.1 UTÖVER VAD SOM UTTRYCKLIGEN NÄMNS I DENNA GARANTI ÄR ALLA ÖVRIGA GARANTIER ALLMÄNT BINDANDE VERKAN DIREKT ELLER INDIREKT GÄLLANDE ALLMÄN ELLER SÄRSKILD TILLÄMPNING UTESLUTNA INOM LAGENS RAMAR.
- 4.2 MED UNDANTAG AV VAD SOM NÄMNS I DENNA GARANTIVILLKOR, ANSVARAR TILLVERKAREN INTE FÖR DE FÖRLUSTER ELLER SKADOR SOM KÖPAREN ELLER ANVÄNDAREN AV PRODUKTEN DIREKT ELLER INDIREKT ELLER TILL FÖLJD AV ANVÄNDNINGEN AV ELLER KONTAKTEN MED PRODUKTEN DRABBAS AV.
- 4.3 OM TILLVERKAREN ENLIGT LOKAL LAGSTIFTNING ELLER UTFRÅN KONSUMENTSKYDDETS REKOMMENDATIONER NEKATS ATT INNEHÅLLA ERSÄTTNINGAR, TILLÄMPAS MED TANKE PÅ GARANTIER OM ALLMÄN ELLER SÄRSKILD TILLÄMPNING, GARANTIERNAS GILTIGHETSTID ENLIGT LOKAL LAGSTIFTNING PÅ PRODUKTEN.
- 4.4 KÖPAREN ÄR ENSAM ANSVARIG FÖR ATT PRODUKTEN HANTERAS, FÖRVARAS OCH MONTERAS ÄNDAMÅLSENLIGT SAMT FÖR ATT DEN PLACERAS PÅ ETT TRYGGT SÄTT. PALRAM ÄR INTE ANSVARIG FÖR NÅGRA MISSÖDEN ELLER SKADOR SOM ORSAKAS KÖPAREN, ANNAN PERSON ELLER PART ELLER DERAS EGENDOM OM DE BEROR PÅ ATT PRODUKTEN HANTERATS, FÖRVARATS, INSTALLERATS, MONTERATS PÅ FEL SÄTT ELLER PÅ GRUND AV ATT PRODUKTEN ANVÄNTS PÅ FEL SÄTT ELLER ATT ANVISNINGARNA INTE IAKTTAGITS.
- 4.5 PALRAMS TILLVERKADE PRODUKT ÄR AVSEDD FÖR NORMALT BRUK PÅ GÅRDSPLANER OM INTE ANNAT ANGES. OM ANVÄNDNINGEN AV PRODUKTEN ENLIGT LOKAL LAGSTIFTNING ELLER ANDRA BESTÄMMELSER PÅ DEN PLATS DÄR KÖPAREN ANVÄNDER PRODUKTEN INTE ÄR TILLÅTEN, ANSVARAR PALRAM INTE FÖR NÅGRA FÖRLUSTER, OLYCKSHÄNDELSER, KOSTNADER ELLER UTGIFTER SOM BEROR PÅ ATT PRODUKTEN ANVÄNTS PÅ FEL SÄTT, ÖBEROENDE AV FÖR VILKET ÄNDAMÅL PRODUKTEN ANVÄNTS.

SV

Περιορισμένη εγγύηση 5 ετών

Λεπτομέρειες: Θερμοκήπια

Η εταιρεία Palram Applications (1995) Ltd (Αριθμός εταιρείας: 512106824), το εγγεγραμμένο γραφείο της οποίας βρίσκεται στο Teradion Industrial Park, M.P Misgav 20174, Ισραήλ ("Palram") εγγυάται ότι το προϊόν δεν θα είναι ελαττωματικά υλικά ή την εργασία για μια περίοδο επτά ετών από την αρχική ημερομηνία αγοράς και με την επιφύλαξη των ορισμών, τους όρους και τις προϋποθέσεις που εμπεριέχονται στην παρούσα εγγύηση.

1. Συνθήκες

- 1.1 Αυτή η εγγύηση ισχύει μόνο αν το Προϊόν εγκαθίσταται, καθαρίζεται, χρησιμοποιείται και συντηρείται σύμφωνα με τις γραπτές συστάσεις της Palram.
- 1.2 Χωρίς να παρεκκλίνουμε από τα παραπάνω, δεν καλύπτονται από αυτή την εγγύηση η ζημιά που προκαλείται από τη χρήση δύναμης, μη ορθό χειρισμό, ακατάλληλη χρήση, απρόσεκτη χρήση ή συναρμολόγηση ή συντήρηση, ατυχήματα, κρούση από ξένα σώματα, βαδναλισμό, ρύπους, αλλαγές, βαφή, σύνδεση, κόλληση, σφράγισμα που γίνεται χωρίς συμμόρφωση με το εγχειρίδιο χρήστη ή ζημιά που προκύπτει από καθαρισμό με μη συμβατά καθαριστικά και μικρές αποκλίσεις του Προϊόντος.
- 1.3 Η εγγύηση αυτή δεν εφαρμόζεται για ζημίες που προκύπτουν από "ανώτερη βία", οι οποίες περιλαμβάνουν αλλά δεν περιορίζονται σε, χαλάζι, καταίγδα, ανεμοστρόβιλο, θύελλα, χιονοθύελλες, πλημμύρα, αποτελέσματα πυρκαγιάς.
- 1.4 Η εγγύηση αυτή δεν ισχύει αν τα δομικά μέρη και τα συστατικά που χρησιμοποιούνται δεν είναι συμβατά με τις γραπτές συστάσεις της Palram
- 1.5 Η εγγύηση αυτή εφαρμόζεται μόνο για τον αρχικό αγοραστή του Προϊόντος. Δεν ισχύει για οποιονδήποτε άλλο αγοραστή ή χρήστη του Προϊόντος (συμπεριλαμβανομένων, αλλά όχι περιορισμένων, οποιοδήποτε ατόμων που αποκτήσουν το Προϊόν από τον αρχικό αγοραστή).
2. Αξιώσεις και Ειδοποιήσεις
- 2.1 Κάθε αίτηση αποζημίωσης λόγω εγγύησης θα πρέπει να αποσταλεί γραπτώς στην Palram εντός 30 ημερών από την ανακάλυψη του ελαττωματικού προϊόντος, επισυνάπτοντας την αρχική απόδειξη αγοράς καθώς και την παρούσα εγγύηση.
- 2.2 Ο αιτών πρέπει να αιτηρήσει στην Palram να εξετάσει το εν λόγω Προϊόν και το σημείο της εγκατάστασης ενώ το Προϊόν βρίσκεται στην αρχική του θέση και δεν έχει μετακινηθεί ή αφαιρεθεί ή αλλάξει με οποιοδήποτε τρόπο ή/και να επιστρέψει το Προϊόν στην Palram για εξέταση.
- 2.3 Η Palram δεσμεύει το δικαίωμα να εξετάσει ανεξάρτητα την αιτία οποιουδήποτε προβλήματος.
3. Αποζημίωση
- 3.1 Αν μια αξίωση υπό αυτή την Εγγύηση ειδοποιηθεί ορθά και την εγκρίνει η Palram, ο αγοραστής, με την επιλογή της Palram, μπορεί είτε να (α) αγοράσει ένα Προϊόν ή μέρος/-η ως αντικατάσταση ή (β) να λάβει αποζημίωση της τιμής του αρχικού Προϊόντος ή μέρος/-η αυτής, όλα σύμφωνα με το ακόλουθο χρονοδιάγραμμα:

Περίοδος μετά από την αγορά	Προϊόν ή μέρος/-η ως αντικατάσταση	Επιστροφή
Από την ημερομηνία αγοράς ως το τέλος του 1ου έτους	Χωρίς χρέωση	100%
Τέλος του 1ου έτους ως το τέλος του 2ου έτους	ο αγοραστής θα πληρώσει το 20% της αρχικής τιμής αγοράς	80%
Τέλος του 2ου έτους ως το τέλος του 3ου έτους	ο αγοραστής θα πληρώσει το 40% της αρχικής τιμής αγοράς	60%
Τέλος του 3ου έτους ως το τέλος του 4ου έτους	ο αγοραστής θα πληρώσει το 60% της αρχικής τιμής αγοράς	40%
Τέλος του 4ου έτους ως το τέλος του 5ου έτους	ο αγοραστής θα πληρώσει το 80% της αρχικής τιμής αγοράς	20%

- 3.2 Για να αποφευχθούν τυχόν απορίες, ο υπολογισμός για την αποζημίωση για τα ελαττωματικά μέρη, σύμφωνα με τον παραπάνω πίνακα, θα βασίζεται στο μερίδιο του ελαττωματικού μέρους σε σχέση με την αρχική τιμή του Προϊόντος. Η Palram δεσμεύει το δικαίωμα να παράσχει αντικαταστάσεις αν το Προϊόν ή οποιοδήποτε μέρος του δεν είναι διαθέσιμο ή αν δεν υπάρχει.
- 3.3 Η εγγύηση αυτή δεν καλύπτει οποιοδήποτε κόστος και έξοδα αφαίρεσης και εγκατάστασης του Προϊόντος ή φόρους ή έξοδα αποστολής ή οποιοδήποτε άμεσες ή έμμεσες ζημίες οι οποίες προκύπτουν από μη λειτουργία του Προϊόντος.
4. Γενικές συνθήκες και περιορισμοί
- 4.1 ΕΚΤΟΣ ΑΠΟ ΟΣΑ ΕΧΟΥΝ ΑΝΑΦΕΡΘΕΙ ΕΙΔΙΚΑ ΣΕ ΑΥΤΗ ΤΗΝ ΕΓΓΥΗΣΗ, ΟΛΕΣ ΟΙ ΑΛΛΕΣ ΕΓΓΥΗΣΕΙΣ, ΕΙΤΕ ΡΗΤΕΣ Ή ΕΜΜΕΣΕΣ, ΣΥΜΠΕΡΙΛΑΜΒΑΝΟΜΕΝΩΝ ΟΛΩΝ ΤΩΝ ΕΜΜΕΣΩΝ ΕΓΓΥΗΣΕΩΝ ΕΜΠΟΡΙΣΜΟΤΗΤΑΣ Ή ΚΑΤΑΛΛΗΛΟΤΗΤΑΣ ΓΙΑ ΕΝΑ ΣΥΓΚΕΚΡΙΜΕΝΟ ΣΚΟΠΟ ΕΞΑΙΡΟΥΝΤΑΙ ΑΠΟ ΟΣΑ ΕΠΙΤΡΕΠΕΙ Ο ΝΟΜΟΣ.
- 4.2 ΕΚΤΟΣ ΑΠΟ ΠΕΡΙΠΤΩΣΕΙΣ ΠΟΥ ΕΧΟΥΜΕ ΑΝΑΦΕΡΕΙ ΡΗΤΑ ΣΕ ΑΥΤΗ ΤΗΝ ΕΓΓΥΗΣΗ, Η PALRAM ΔΕΝ ΕΙΝΑΙ ΥΠΕΥΘΥΝΗ ΓΙΑ ΟΠΟΙΟΣΔΗΠΟΤΕ ΑΠΩΛΕΙΑ Ή ΖΗΜΙΑΣ ΠΟΥ Ο ΑΓΟΡΑΣΤΗΣ ΜΠΟΡΕΙ ΝΑ ΔΕΧΘΕΙ ΑΜΕΣΑ Ή ΩΣ ΣΥΝΕΠΕΙΑ ΤΗΣ ΧΡΗΣΗΣ, Ή ΣΥΝΔΕΟΜΕΝΕΣ ΜΕ ΟΠΟΙΟΔΗΠΟΤΕ ΤΡΟΠΟ ΜΕ ΤΟ ΠΡΟΪΟΝ.
- 4.3 ΑΝ Η PALRAM ΑΠΟΓΟΡΕΥΕΤΑΙ ΥΠΟ ΟΠΟΙΟΔΗΠΟΤΕ ΕΦΑΡΜΟΣΤΕΟ ΝΟΜΟ ΝΑ ΕΞΑΙΡΕΣΙ ΤΙΣ ΕΜΜΕΣΕΣ ΕΓΓΥΗΣΕΙΣ ΕΜΠΟΡΕΥΜΑΤΟΠΟΙΗΣΗΣ Ή ΚΑΤΑΛΛΗΛΟΤΗΤΑΣ ΓΙΑ ΕΝΑΝ ΣΥΓΚΕΚΡΙΜΕΝΟ ΣΚΟΠΟ ΣΕ ΣΧΕΣΗ ΜΕ ΤΟ ΠΡΟΪΟΝ, Η ΔΙΑΡΚΕΙΑ ΟΠΟΙΟΔΗΠΟΤΕ ΕΜΜΕΣΩΝ ΕΓΓΥΗΣΕΩΝ ΠΕΡΙΟΡΙΖΕΤΑΙ ΡΗΤΑ ΣΤΗ ΠΕΡΙΟΔΟ ΑΥΤΗΣ ΤΗΣ ΕΓΓΥΗΣΗΣ Ή, ΑΝ Η ΠΕΡΙΟΔΟΣ ΕΙΝΑΙ ΜΕΓΑΛΥΤΕΡΗ, ΣΤΗΝ ΜΕΓΙΣΤΗ ΠΕΡΙΟΔΟ ΠΟΥ ΑΠΑΙΤΕΙ Ο ΕΦΑΡΜΟΣΤΕΟΣ ΝΟΜΟΣ.
- 4.4 Ο ΑΓΟΡΑΣΤΗΣ ΕΙΝΑΙ Ο ΜΟΝΟΣ ΥΠΕΥΘΥΝΟΣ ΓΙΑ ΝΑ ΚΑΘΟΡΙΣΕΙ ΑΝ Η ΧΡΗΣΗ, ΑΠΟΘΗΚΕΥΣΗ, ΣΥΝΑΡΜΟΛΟΓΗΣΗ, ΕΓΚΑΤΑΣΤΑΣΗ Ή ΧΡΗΣΗ ΤΟΥ ΠΡΟΪΟΝΤΟΣ ΕΙΝΑΙ ΑΣΦΑΛΗΣ ΚΑΙ ΚΑΤΑΛΛΗΛΗ ΓΙΑ ΟΠΟΙΟΔΗΠΟΤΕ ΤΟΠΟΘΕΣΙΑ, ΓΙΑ ΟΠΟΙΟΔΗΠΟΤΕ ΕΦΑΡΜΟΓΗ Η ΣΕ ΟΠΟΙΟΔΗΠΟΤΕ ΠΕΡΙΣΤΑΣΗ. Η PALRAM ΔΕΝ ΕΙΝΑΙ ΥΠΕΥΘΥΝΗ ΓΙΑ ΟΠΟΙΟΣΔΗΠΟΤΕ ΖΗΜΙΑΣ Ή ΤΡΑΥΜΑΤΙΣΜΟ ΣΤΟΝ ΑΓΟΡΑΣΤΗ, ΣΕ ΟΠΟΙΟΔΗΠΟΤΕ ΑΛΛΟ ΑΤΟΜΟ Η ΙΔΙΟΚΤΗΣΙΑ ΟΙ ΟΠΟΙΕΣ ΠΡΟΚΥΠΤΟΥΝ ΑΠΟ ΑΚΑΤΑΛΛΗΛΟ ΧΕΙΡΙΣΜΟ, ΑΠΟΘΗΚΕΥΣΗ, ΕΓΚΑΤΑΣΤΑΣΗ, ΣΥΝΑΡΜΟΛΟΓΗΣΗ Ή ΧΡΗΣΗ ΤΟΥ ΠΡΟΪΟΝΤΟΣ Ή ΜΗ ΣΥΜΜΟΡΦΩΣΗ ΜΕ ΤΙΣ ΓΡΑΠΤΕΣ ΟΔΗΓΙΕΣ ΣΧΕΤΙΚΑ ΜΕ ΤΗΝ ΧΡΗΣΗ, ΑΠΟΘΗΚΕΥΣΗ ΣΥΝΑΡΜΟΛΟΓΗΣΗ, ΕΓΚΑΤΑΣΤΑΣΗ ΚΑΙ ΧΡΗΣΗ ΤΟΥ ΠΡΟΪΟΝΤΟΣ.
- 4.5 ΕΚΤΟΣ ΑΠΟ ΠΕΡΙΠΤΩΣΕΙΣ ΡΗΤΗΣ ΕΚΦΡΑΣΗΣ ΑΠΟ ΤΗΝ PALRAM, ΤΟ ΠΡΟΪΟΝ ΠΡΟΟΡΙΖΕΤΑΙ ΜΟΝΟ ΓΙΑ ΚΑΝΟΝΙΚΗ ΟΙΚΙΑΚΗ ΧΡΗΣΗ. Η PALRAM ΔΕΝ ΕΙΝΑΙ ΥΠΕΥΘΥΝΗ ΓΙΑ ΟΠΟΙΟΔΗΠΟΤΕ ΑΠΩΛΕΙΑ, ΖΗΜΙΑ, ΚΟΣΤΟΣ Ή ΕΞΟΔΑ ΠΟΥ ΠΡΟΚΥΠΤΟΥΝ ΑΠΟ ΟΠΟΙΟΔΗΠΟΤΕ ΧΡΗΣΗ ΤΟΥ ΠΡΟΪΟΝΤΟΣ ΓΙΑ ΟΠΟΙΟΔΗΠΟΤΕ ΑΛΛΟ ΣΚΟΠΟ ΠΟΥ ΔΕΝ ΣΥΣΤΗΝΕΤΑΙ ΑΠΟ ΓΡΑΠΤΕΣ ΟΔΗΓΙΕΣ Ή ΠΟΥ ΔΕΝ ΕΠΙΤΡΕΠΕΤΑΙ ΑΠΟ ΟΠΟΙΟΔΗΠΟΤΕ ΕΦΑΡΜΟΣΜΕΝΗ ΝΟΜΟΘΕΣΙΑ Η ΑΛΛΟΥΣ ΚΩΔΙΚΕΣ ΠΟΥ ΙΣΧΥΟΥΝ ΣΤΗΝ ΤΟΠΟΘΕΣΙΑ ΠΟΥ Ο ΑΓΟΡΑΣΤΗΣ ΘΑ ΧΡΗΣΙΜΟΠΟΙΗΣΕΙ ΤΟ ΠΡΟΪΟΝ.

EL

Palram 'n 5 vuoden rajoitetut takuuehdot

Tuotetiedot: kasvihuoneet

Palram Applications (1995) Ltd (yhtiön rek.nro 512106824) jonka päätoimipiste toimii osoitteessa Teradion Industrial Park, M.P Misgav 20174, Israel. Palram taakeita, että se valmistamissa tuotteissa ei sisälly virheitä materiaali- tai valmistusvirheitä, ja seuraavan viiden vuoden aikana alkuperäisestä ostopäivästä, joita on raportoitu osuhteissa.

1. Olosuhteet

- 1.1 Tämä takuu on voimassa vain tuotteelle joka on ohjeen mukaisesti asennettu, hoidettu & ylläpidetty sekä pidetty puhtaana Palramin ohjekirjassa antamien ohjeiden mukaisesti.
- 1.2 Poikkeamatta edellä mainitusta, vauriot jotka ovat syntyneet liiallisesta voiman käytöstä, vääärästä tai sopimattomasta käytöstä, huolimattomasta asennuksesta, käytöstä tai ylläpidosta, vahingoista, vieraiden esineiden kolhuista, ilkivallasta epäpuhtauksista, muutoksista, maalauksista, liitoksista, liimauksista, teippauksista, sopimattomista tiivistyksistä tai vaurioista jotka ovat syntyneet yhteensopimattomista puhdistusaineista. Pienet poikkeamat eivät kuulu tämän takuun piiriin.
- 1.3 Tämä takuu ei kata luonnonilmiöitä taikka niistä syntyneitä vaurioita kuten rakeet, raskas lumi, myrsky, pyörremyrsky, hirmumyrsky, salammat, tulii taikka tulva.
- 1.4 Tämä takuu on mitätön mikäli kasvihuoneen kanssa käytetään yhteensopimattomia rakenneosia taikka komponentteja jotka eivät ole valmistajan (Palram) suositusten mukaisia.
- 1.5 Tämä takuu on ainoastaan voimassa alkuperäiselle ostajalle / saajalle. Se ei ole jatkettavissa tai siirrettävissä toisille käyttäjille taikka seuraaville omistajille.

2. Reklamaatit ja ilmoitukset

- 2.1 Kaikki takuuvaatimukset on tehtävä kirjallisesti Palramille 30 päivän sisällä viallisen tuotteen huomaamisesta, ja mukaan on liitettävä alkuperäinen ostokuitti ja tämä takuu.
- 2.2 Kantajan (reklamaation tehnyt) tulee sallia valmistajan / valmistajan edustajan tarkistaa vioittunut tuote sen alkuperäisessä sijainnissa siinä kunnossa kuin se on vaurion sattumisen jälkeen. Tuotetta ei saa muunnella, korjata, siirtää taikka lähettää valmistajalle / edustajalle ennen siihen saatua lupaa.
- 2.3 Valmistaja (Palram) varaa oikeuden saada itsenäisesti tutkia vian syy.

3. Korvaus

- 3.1 Mikäli reklamaatio on takuun mukaisesti ilmoitettu ja hyväksytty Palramilta, on ostaja (kantaja) oikeutettu joko korvaaviin osiin / tuotteeseen taikka hyvitykseen joka on suhteessa vahinkoon & hankintahintaan seuraavan taulukon mukaisesti:

Aikaa hankinnasta	Korvaava tuote ja / tai osa	Korvaus
1 vuosi hankinnasta	Veloituksetta	100%
1 => 2 ^{ten} vuoteen hankinnasta	Omavastuu 20 %	80 %
2 => 3 ^{ten} vuoteen hankinnasta	Omavastuu 40 %	60 %
3 => 4 ^{ten} vuoteen hankinnasta	Omavastuu 60 %	40 %
4 => 5 ^{ten} vuoteen hankinnasta	Omavastuu 80 %	20 %

- 3.2 Välttyäkseen miltään epäilyiltä, laskentavirheiltä tai väärinkäsityksiltä korvattavuuden suhteen edellä esitetyn taulukon mukainen korvaus lasketaan aina viallisen / vioittuneen osan osuudesta kokonaistuotteen hankinta-arvosta. Valmistaja varaa oikeuden toimittaa korvaava tuote / tuoteosa mikäli alkuperäistä osaa ei ole enää saatavissa tai se on vanhentunut.
- 3.3 Tämä takuu ei korvaa kuluja jotka ovat syntyneet asennuksesta, purkauksesta, tuotteen siirtämisestä tai korjaustyöstä eikä myöskään suorista tai epäsuorista kuluista – menetyksistä kuten veroista, muutoista, toimitus- & lähetyskuluista jotka ovat syntyneet tuotteen viallisuudesta tai vioittuneisuudesta.

4. Yleiset ehdot ja rajoitukset

- 4.1 MUILTA OSIN KUIN NIMENOMAISESTI TÄSSÄ TAKUUSSA ON ESITETTY, KAIKKIEN MUIDEN TAKUIDEN YLEISSITOUVUDET KAUPALLISESTA HYÖDYNNETTÄVYDESTÄ TAI SOPIVUUDESTA SUORAAN TAI VÄLILLISESTI OVAT POISSULJETTU SIKÄLI KUIN LAKI SALLII.
- 4.2 POISLUKIEK MITÄ NÄISSÄ TAKUUEHDOISSA ON ESITETTY, VALMISTAJA EI VASTAA MISTÄÄN TAPPIOISTA TAI VAHINGOISTA MITÄ OSTAJA TAI TUOTTEEN KÄYTTÄJÄ KÄRSI SUORAAN, VÄLILLISESTI TAI SEURAUKSENA TUOTTEEN KÄYTTÄMISESTÄ TAI YHTEYDESTÄ TUOTTEESEEN.
- 4.3 MIKÄLI VALMISTAJAA ON KIELLETTY EVÄTÄ PAIKALLISESTI SOVELLETTAVAN LAINSÄÄDÄNNÖN TAI KULUTTANSUOJA SUOSITUSTEN POHJALTA TAKUUEHTOJEN MUKAISIA KORVAUKSIA – SOVELLETAAN YLEISESTI KAUPALLISESTI HYÖDYNNETTÄVYDESTÄ TAI SOPIVUUDESTA TIETYYN TARKOITUKSEEN NÄHDEN TUOTTEEN OLEVAN TAKUIDEN VOIMASSAOLOAIKAA PAIKALLISEN LAIN MUKAAN.
- 4.4 OSTAJA ON YKSIN VASTUUSSA ASIANMUKAISESTA KÄSITTELYSTÄ, VARASTOINNISTA, KOKOONPANOISTA SEKÄ TURVALLISESTA SJAINNISTAETÄÄ KÄYTÖSTÄ JA SÄILYTYKSESTÄ. PALRAM EI OLE VASTUUSSA MISTÄÄN VAHINGOISTA TAI VAMMOISTA OSTAJALLE, MUULLE HENKILÖLLE TAI OSAPUOLELLE TAI HÄNEN OMAISUUDELLE MIKÄLI NE JOHTUVAT VÄÄRÄSTÄ KÄSITTELYSTÄ, VARASTOINNISTA, ASENNUKSESTA, KOKOAMISESTA TAI TUOTTEEN VÄÄRÄSTÄ KÄYTÖSTÄ TAI OHJEIDEN NOUDATTAMATTA JÄTTÄMISESTÄ.
- 4.5 PALRAMIN VALMISTAMA TUOTE ON TARKOITETTU NORMAALIIN ASUIMISTON PIHÄKÄYTTÖÖN ELLEI TOISIN OLE MERKITTY. PALRAM EI OLE VASTUUSSA MISTÄÄN MENETYKSESTÄ, VAHINGOSTA, KUSTANNUKSISTA TAI KULUISTA JOTKA JOHTUVAT TUOTTEEN VÄÄRÄSTÄ KÄYTÖSTÄ MIHIN TAHANSA TARKOITUKSEEN, MIKÄLI EI OLLA NOUDATETTU SUOSITELTUJA KIRJALLISIA OHJEITA TAI JOS KÄYTTÖ EI OLE SALLITTUA SOVELLETTAVAN LAINSÄÄDÄNNÖN TAI MUIDEN ASETUSTEN MUKAAN PAIKASSA JOSSA OSTAJA KÄYTTÄÄ TUOTETTA.

FI

PALRAM 's 5 jaars beperkte garantie

Productgegevens: kassen

Palram Applications (1995) Ltd (Bedrijfsnummer: 512106824) met maatschappelijke zetel te Teradion Industrial Park, M.P Misgav 20174, Israël ("Palram") garandeert dat het product vrij is van materiaal-en fabricagefouten voor een periode van vijf jaar vanaf de oorspronkelijke datum van aankoop door de definities en voorwaarden van deze garantie.

1. Voorwaarden

- 1.1 Deze garantie is alleen geldig indien het Product is geïnstalleerd, gereinigd, gebruikt en onderhouden in overeenstemming met de geschreven aanbevelingen van Palram.
- 1.2 Zonder afte wijken van het bovenstaande, zal schade veroorzaakt door gebruik van geweld, onjuist gebruik, oneigenlijk gebruik, nalatig gebruik of montage of onderhoud, ongevallen, botsing met vreemde voorwerpen, vandalisme, vervuiling, aanpassingen, schilderen, verbinden, lijmen, afdichten op een wijze die niet in overeenstemming is met de handleiding, of schade als gevolg van reiniging met incompatibele schoonmaakmiddelen en geringe afwijkingen van het Product niet vallen onder deze garantie.
- 1.3 Deze garantie geldt niet voor schade als gevolg van "overmacht", inclusief maar niet beperkt tot, hagel, onweer, tornado's, orkanen, sneeuwstormen, overstromingen, gevolgen van brand.
- 1.4 Deze garantie vervalt als structurele onderdelen en onderdelen die worden gebruikt niet compatibel zijn met schriftelijke aanbevelingen van Palram.
- 1.5 Deze garantie geldt alleen voor de oorspronkelijke koper van het Product. Zij geldt niet voor een andere koper of gebruiker van het Product (inclusief, maar niet beperkt tot, elke persoon die het product koopt van de oorspronkelijke koper).

2. Claims en meldingen

- 2.1 Elke garantielaan dient bij Palram te worden ingediend binnen 30 dagen na de ontdekking van het defecte product, met bijvoeging van het originele koopbewijs en deze garantie.
- 2.2 De eiser moet het Palram mogelijk maken het betrokken product en de constructielocatie zelf te inspecteren, met het product nog in de oorspronkelijke positie en niet verwijderd of verplaatst of op enigerlei wijze veranderd en/of het product terugzenden naar Palram om te laten testen.
- 2.3 Palram behoudt zich het recht om zelfstandig de oorzaak van een probleem te onderzoeken.

3. Compensatie

- 3.1 Indien een claim onder deze garantie goed is aangemeld en door Palram is goedgekeurd, mag de koper, naar Palrams keuze, ofwel (a) een vervangend product of onderde(e)l/en aanschaffen, of (b) het aankoopbedrag van het oorspronkelijke product of onderde(e)l/en terugkrijgen, alles in overeenstemming met het volgende schema:

Periode na aankoop	vervangende product of onderde(e)l/en Teruggave	Teruggave
Vanaf de aankoopdatum tot het eind van 1e jaar	Gratis	100%
Einde van 1 ^e jaar tot einde van 2 ^e jaar	koper betaalt 20% van het oorspronkelijke aankoopbedrag	80%
Einde van 2 ^e jaar tot einde van 3 ^e jaar	koper betaalt 40% van het oorspronkelijke aankoopbedrag	60%
Einde van 3 ^e jaar tot einde van 4 ^e jaar	koper betaalt 60% van het oorspronkelijke aankoopbedrag	40%
Einde van 4 ^e jaar tot einde van 5 ^e jaar	koper betaalt 80% van het oorspronkelijke aankoopbedrag	20%

- 3.2 Voor alle duidelijkheid, de berekening voor de bepaling van de compensatie voor defecte onderde(e)l/en, volgens het bovenstaande schema, zal worden gebaseerd op de bijdrage van het defecte onderdeel op de oorspronkelijke kosten van het product. Palram behoudt zich het recht voor vervangingen te leveren indien het product of enig deel daarvan niet beschikbaar of verouderd is.
- 3.3 Deze garantie dekt geen kosten en uitgaven van de verwijdering en installatie van het Product of belastingen of verzendkosten of enige andere directe of indirecte schade(s) die kan/kunnen voortvloeien uit het defect van het product.

4. Algemene voorwaarden en beperkingen

- 4.1 ANDERS DAN SPECIFIEK IN DEZE GARANTIE AANGEGEVEN, ZIJN ALLE ANDERE GARANTIES, HETZIJ EXPLICIET OF IMPLICIET, INCLUSIEF ALLE IMPLICIETE GARANTIES VAN VERKOOPBAARHEID OF GESCHIKTHEID VOOR EEN BEPAALD DOEL UITGESLOTEN VOOR ZOVER DE WET DIT TOELAAT.
- 4.2 BEHALVE WAAR WE DAT SPECIFIEK HEBBEN AANGEGEVEN IN DEZE GARANTIE, ZAL PALRAM NIET VERANTWOORDELIJK VOOR VERLIES OF SCHADE DIE DE KOPER LIJDT, DIRECT OF INDIRECT, OF ALS GEVOLG VAN HET GEBRUIK, OF OP WELKE ANDERE WIJZE DAN OOK IN VERBAND MET HET PRODUCT.
- 4.3 ALS HET PALRAM VERBODEN IS ONDER DE TOEPASSELIJKE WETGEVING DE GARANTIES VAN VERKOOPBAARHEID OF GESCHIKTHEID UIT TE SLUITEN VOOR EEN BEPAALD DOEL MET BETREKKING TOT HET PRODUCT, IS DE DUUR VAN ALLE DERGELIJKE IMPLICIETE GARANTIES UITDRUKKELIJK BEPERKT TOT DE DUUR VAN DEZE GARANTIE OF, INDIEN LANGER, TOT DE MAXIMALE PERIODE VEREIST IN DE TOEPASSELIJKE WETGEVING.
- 4.4 DE KOPER IS ZELF GEHEEL VERANTWOORDELIJK OM TE BEPALEN OF HET HANTEREN, DE OPSLAG, MONTAGE, INSTALLATIE OF HET GEBRUIK VAN HET PRODUCT OP ELKE LOCATIE VEILIG EN PASSEND IS, GESCHIKT IS VOOR HET DOEL OF PASSEND ONDER DE GEVEGEN OMSTANDIGHEDEN IS. PALRAM IS NIET VERANTWOORDELIJK VOOR ENIGE SCHADE OF LETSEL AAN DE KOPER, EEN ANDERE PERSOON OF ENIGE ANDERE ZAKEN ALS GEVOLG VAN ONDOELMATIG GEBRUIK, OPSLAG, INSTALLATIE, MONTAGE OF HET GEBRUIK VAN HET PRODUCT OF HET NIET VOLGEN VAN DE SCHRIFTELIJKE AANWIJZINGEN BETREFFENDE HET HANTEREN, OPSLAAN, INSTALLEREN, MONTEREN EN GEBRUIK VAN HET PRODUCT.
- 4.5 TENZIJ UITDRUKKELIJK ANDERS DOOR PALRAM AANGEGEVEN, IS HET PRODUCT ALLEEN BEDOELD VOOR NORMAAL HUISHOUDELIJK GEBRUIK. PALRAM IS NIET VERANTWOORDELIJK VOOR VERLIES, SCHADE, KOSTEN OF UITGAVEN ALS GEVOLG VAN HET GEBRUIK VAN HET PRODUCT VOOR ENIG DOEL DAT NIET IS AANBEVOLEN IN DE SCHRIFTELIJKE INSTRUCTIES OF DAT NIET IS TOEGESTAAN VANWEGE ENIGE TOEPASSELIJKE WETGEVING OF ANDERE GEBRUIKEN OP DE LOCATIE WAAR DE KOPER HET PRODUCT ZAL GEBRUIKEN.

NL

Garantía limitada de 5 años de Palram

Angaben zum Produkt: Invernaderos

ES

Palram Applications (1995) Ltd (Número de la compañía: 512106824) cuya oficina registrada se encuentra en Teradion Industrial Park, M.P Misgav 20174, Israel ("Palram") garantiza que el Producto no tendrá defectos de material o de fabricación durante un periodo de Diez años desde la fecha de compra original sujeto a las definiciones, términos y condiciones contenidos en esta garantía.

1. Condiciones

- Esta garantía solo será válida si el Producto es instalado, limpiado, manipulado y mantenido de acuerdo a las recomendaciones por escrito de Palram.
- Sin derogar lo anterior, los daños causados por el uso de la fuerza, manipulación incorrecta, uso inapropiado, uso o montaje o mantenimiento negligentes, accidentes, impacto de objetos extraños, vandalismo, contaminantes, alteración, pintado, conexión, pegado, sellado no de acuerdo al manual del usuario, o daños resultantes de la limpieza con detergentes incompatibles y desviaciones menores del Producto no están cubiertos por esta garantía.
- Esta garantía no se aplica a daños resultantes de "fuerza mayor", que incluye entre otros, granizo, tormenta, tornado, huracán, ventisca, inundación, efectos del fuego.
- Esta garantía es nula si los componentes o piezas estructurales utilizados no son compatibles con las recomendaciones escritas de Palram.
- Esta garantía se aplica solamente al comprador normal del Producto. No se extiende a cualquier otro comprador o usuario del Producto (incluyendo, entre otros, cualquier persona que adquiera el Producto desde el comprador original).

2. Reclamaciones y notificaciones

- Toda reclamación de la garantía debe ser notificada por escrito a Palram lo antes que sea posible razonablemente después de descubrir el Producto defectuoso, adjuntando el tique de venta original y esta garantía.
- El reclamante debe permitir a Palram inspeccionar el Producto pertinente y el sitio de la instalación en sí mismo mientras el Producto está todavía en su posición original y no se ha retirado ni movido o alterado de ningún modo y/o devolver el Producto a Palram para evaluarlo.
- Palram se reserva el derecho a investigar la causa de cualquier fallo de forma independiente.

3. Compensación

- Si una reclamación bajo esta Garantía se notifica apropiadamente y es aprobada por Palram, el comprador, según considere Palram, puede o bien (a) comprar un Producto o pieza/s de recambio; o (b) recibir el reembolso del precio de compra del Producto o la pieza o piezas, todo de acuerdo al siguiente calendario:

El periodo tras la compra	Reembolso del Producto o Pieza /s	Recambio Según
Desde la fecha de compra hasta el final del primer año	Sin costes	100%
Fin del 1.er año hasta el final del 2.º año	El comprador pagará el 20 % del precio original de compra	80%
Fin del 2.º año hasta el final del 3.er año	El comprador pagará el 40 % del precio original de compra	60%
Fin del 3.er año hasta el final del 4.º año	El comprador pagará el 60 % del precio original de compra	40%
Fin del 4.º año hasta el final del 5.º año	El comprador pagará el 80 % del precio original de compra	20%

- Para evitar cualquier duda, el cálculo de la determinación de la compensación por pieza/s defectuosas, según el calendario de arriba, se basará en la contribución de la pieza defectuosa al coste original del Producto. Palram se reserva el derecho de proporcionar sustituciones si el Producto o cualquier pieza del mismo no está disponible o es obsoleta.
- Esta garantía no cubre ningún coste ni gasto de la retirada e instalación del Producto o impuestos o gastos de envío ni cualquier otra pérdida/s directa o indirecta que pueda resultar del defecto del Producto.

4. Condiciones generales y limitaciones

- APARTE DE LO QUE SE HA AFIRMADO ESPECÍFICAMENTE EN ESTA GARANTÍA, TODAS LAS DEMÁS GARANTÍAS, TANTO EXPRESAS COMO IMPLÍCITAS, INCLUYENDO TODAS LAS GARANTÍAS IMPLÍCITAS DE COMERCIABILIDAD O IDONEIDAD PARA UN PROPÓSITO EN PARTICULAR SE EXCLUYEN EN LA EXTENSIÓN EN QUE LO PERMITA LA LEY.
- EXCEPTO DONDE LO HAYAMOS DECLARADO ESPECÍFICAMENTE EN ESTA GARANTÍA, PALRAM NO SERÁ RESPONSABLE DE CUALQUIER PÉRDIDA O DAÑOS QUE SUFRA EL COMPRADOR DIRECTAMENTE, INDIRECTAMENTE O COMO CONSECUENCIA DE UTILIZAR EL PRODUCTO O EN CONEXIÓN DE CUALQUIER MODO CON EL MISMO.
- SI SE PROHIBE A PALRAM, BAJO CUALQUIER LEY APLICABLE, EXCLUIR LAS GARANTÍAS IMPLÍCITAS DE COMERCIABILIDAD O IDONEIDAD PARA UN PROPÓSITO EN PARTICULAR CON RELACIÓN AL PRODUCTO, LA DURACIÓN DE DICHAS GARANTÍAS IMPLÍCITAS SE LIMITA EXPRESAMENTE A LA DURACIÓN DE ESTA GARANTÍA, O SI ES MÁS TIEMPO, EL PERIODO MÁXIMO REQUERIDO POR LA LEY APLICABLE.
- EL COMPRADOR ES RESPONSABLE ÚNICAMENTE DE DETERMINAR SI LA MANIPULACIÓN, ALMACENAMIENTO, MONTAJE, INSTALACIÓN O USO DEL PRODUCTO ES SEGURO Y APROPIADO EN CUALQUIER UBICACIÓN, PARA CUALQUIER APLICACIÓN DADA O EN CUALQUIER CIRCUNSTANCIA DADA. PALRAM NO ES RESPONSABLE POR CUALQUIER DAÑO O LESIÓN DEL COMPRADOR, CUALQUIER OTRA PERSONA O CUALQUIER PROPIEDAD QUE RESULTE DE LA MANIPULACIÓN, ALMACENAMIENTO, INSTALACIÓN, MONTAJE O USO INADECUADOS DEL PRODUCTO O NO SEGUIR LAS INSTRUCCIONES ESCRITAS ACERCA DE LA MANIPULACIÓN, ALMACENAMIENTO, INSTALACIÓN, MONTAJE Y USO DEL PRODUCTO.
- A MENOS QUE SE INDIQUE EXPRESAMENTE LO CONTRARIO POR PALRAM, EL PRODUCTO ESTÁ PREVISTO SOLO PARA USO RESIDENCIAL NORMAL. PALRAM NO ES RESPONSABLE POR NINGUNA PÉRDIDA, DAÑO, COSTE O GASTO RESULTANTE DE CUALQUIER USO DEL PRODUCTO PARA CUALQUIER PROPÓSITO QUE NO ESTÉ RECOMENDADO POR LAS INSTRUCCIONES ESCRITAS O QUE NO ESTÉ PERMITIDO POR CUALQUIER LEGISLACIÓN APLICABLE U OTROS CÓDIGOS EN VIGOR EN LA UBICACIÓN DONDE USARÁ EL PRODUCTO EL COMPRADOR.

Gwarancja Palramu ograniczona na 5 lat.

Szczegóły produktu: Szklarnie

PL

Palram Applications (1995) Ltd (Numer firmy: 512106824) której zarejestrowane biuro znajduje się w Teradion Industrial Park, M.P Misgav 20174, Izrael ("Palram") gwarantuje, że produkt pozbawiony jest wad materiałowych bądź usterek w wykonaniu na okres 10 lat liczonych od pierwotnej daty zakupu przedmiotu zgodnie z definicjami, warunkami i zastrzeżeniami zawartymi w niniejszej gwarancji.

1. Warunki

- Niniejsza gwarancja obowiązuje dany produkt wyłącznie jeśli jego montaż, czyszczenie, obsługa i konserwacja były wykonywane zgodnie z pisemnymi zaleceniami Palramu.
- Bez naruszenia powyższych warunków, szkody spowodowane użyciem siły, niepoprawną obsługą, nieodpowiednim zastosowaniem, niedbałym użyciem lub montażem, wypadkami, oddziaływaniem obcych przedmiotów, wandalizmem, zanieczyszczeniami, przeróbkami, malowaniem, łączeniem, klejeniem, uszczelnianiem niezgodnym z podręcznikiem użytkownika lub szkody wynikające z czyszczenia niezgodnymi środkami czyszczącymi oraz pomniejszenie niezgodności Produktu nie są objęte niniejszą gwarancją.
- Niniejsza gwarancja nie dotyczy szkód spowodowanych „siłami wyższymi”, wliczając w to między innymi opady gradu, burze, tornada, huragany, śnieżyce, powodzie, skutki pożaru.
- Niniejsza gwarancja jest nieważna jeśli części składowe i zastosowane elementy są niezgodne z pisemnymi zaleceniami Palramu.
- Niniejsza gwarancja dotyczy wyłącznie oryginalnego nabywcy produktu i nie obejmuje żadnego innego nabywcy bądź użytkownika produktu. (wliczając w to między innymi jakąkolwiek osobę, która nabyła produkt od pierwotnego nabywcy.)

2. Reklamacje i zgłoszenia

- Każda reklamacja musi być zgłoszona pisemnie do Palramu w ciągu 30 dni od odkrycia wadliwego produktu z załączeniem oryginalnego paragonu oraz niniejszej gwarancji.
- Wnioskodawca musi zezwolić Palramowi na dokonanie kontroli reklamowanego Produktu oraz samego miejsca montażu, w czasie gdy Produkt nadal znajduje się w swoim pierwotnym położeniu i nie został usunięty ani przeniesiony w jakikolwiek sposób i/ lub zwrócić Produkt Palramowi do kontroli.

3. Odszkodowanie

- 3.1 Jeśli reklamacja zostanie poprawnie zgłoszona i zatwierdzona przez Palram, nabywca, do wyboru przez Palram, może (a) zakupić zastępczy produkt lub jego części; lub (b) otrzymać zwrot kosztów za oryginalny Produkt lub jego części, zgodnie z poniższym schematem:

Okres po zakupie	Wymiana produktu lub jego części	Refundacja
Od daty zakupu do końca 1 roku	Bezpłatnie	100%
Koniec 1 roku do końca 2 roku	purchaser will pay 20% of the original purchase price	80%
Koniec 2 roku do końca 3 roku	purchaser will pay 40% of the original purchase price	60%
Koniec 3 roku do końca 4 roku	purchaser will pay 60% of the original purchase price	40%
Koniec 4 roku do końca 5 roku	purchaser will pay 80% of the original purchase price	20%

- W celu uniknięcia jakichkolwiek wątpliwości, kalkulacja postanowienia w związku z odszkodowaniem za wadliwe części, zgodnie z powyższym schematem, będzie oparta na oryginalnym wkładzie finansowym Produktu za jego wadliwe części. Palram zastrzega sobie prawo do zapewnienia zamienników jeśli Produkt lub jakakolwiek jego część jest niedostępna lub nieaktualna.
- Niniejsza gwarancja nie pokrywa żadnych kosztów usunięcia lub montażu Produktu, podatków lub transportu, bądź jakichkolwiek innych bezpośrednich lub pośrednich strat które mogły nastąpić po awarii Produktu.

4. Warunki ogólne i ograniczenia

- INNE NIŻ KONKRETNIE OKREŚLONE W NINIEJSZEJ GWARANCJI, WSZYSTKIE INNE GWARANCJE, WYRAŻONE CZY DOROZUMIANE, WŁĄCZAJĄC W TO WSZYSTKIE DOROZUMIANE GWARANCJE PRZYDATNOŚCI HANDLOWEJ BĄDŹ STOSOWNOŚCI DO OKREŚLONEGO CELU NIE SĄ WŁĄCZONE TAK DŁUGO JAK POZWALA NA TO PRAWO.
- Z WYJĄTKIEM PRZYPADKÓW KONKRETNIE OKREŚLONYCH W NINIEJSZEJ GWARANCJI PALRAM NIE NIE JEST ZOBOWIĄZANY ZA JAKIEKOLWIEK STRATY LUB SZKODY, JAKIE DOZNAŁ NABYWCA W SPOSÓB BEZPOŚREDNI, POŚREDNI, LUB W WYNIKU UŻYTKU, BĄDŹ W JAKIKOLWIEK INNY SPOSÓB POWIĄZANY Z PRODUKTEM.
- JESLI PALRAM JEST ZABRONIONY PRZEZ JAKIEKOLWIEK OBOWIĄZUJĄCE PRAWO POMIAJĄC DOROZUMIANĄ GWARANCJĘ PRZYDATNOŚCI HANDLOWEJ BĄDŹ STOSOWNOŚCI DO OKREŚLONEGO CELU ZWIĄZANEGO Z PRODUKTEM, OKRES TRWANIA TAKICH GWARANCJI JEST JEDNOZNACZNIE OGRANICZONY DO CZASU TRWANIA TEJ GWARANCJI, BĄDŹ MAKSYMALNEGO CZASU WYMAGANEGO PRZEZ PRAWO.
- NABYWCA JEST WYŁĄCZNIE ODPOWIEDZIALNY ZA DOPILNOWANIE OBSŁUGI, PRZECHOWYWANIA, MONTAŻU, INSTALACJI, ORAZ CZY UŻYTKOWANIE PRODUKTU JEST BEZPIECZNE ORAZ WŁAŚCIWE W JAKIMKOLWIEK POŁOŻENIU DLA JAKIEGOKOLWIEK ZASTOSOWANIA I JAKICHKOLWIEK OKOLICZNOŚCI. PALRAM NIE JEST ODPOWIEDZIALNE ZA SZKODY LUB OBRAŻENIA NABYWCY BĄDŹ JAKIEKOLWIEK INNEJ OSOBY LUB WŁASNOŚCI DO OKREŚLONEGO CELU ZWIĄZANEGO Z PRODUKTEM, OKRES TRWANIA, INSTALACJI I ZASTOSOWANIA PRODUKTU.
- O ILE NIE ZOSTAŁO INACZEJ WSKAZANE PRZEZ PALRAM, PRODUKT JEST PRZEZNACZONY WYŁĄCZNIE DO NORMALNEGO, MIESZKALNEGO UŻYTKU. PALRAM NIE JEST ODPOWIEDZIALNY ZA JAKIEKOLWIEK STRATY LUB SZKODY, KOSZTY LUB WYDATKI WYNIKAJĄCE Z JAKIEKOLWIEK ZASTOSOWANIA PRODUKTU W JAKIMKOLWIEK CELU, KTÓRY NIE JEST ZALECANY PRZEZ PISEMNĄ INSTRUKCJĘ LUB KTÓRY NIE JEST DOZWOLONY PRZEZ OBOWIĄZUJĄCE PRAWO LUB INNY KODEKS WYNIKAJĄCY Z LOKALIZACJI W KTÓREJ NABYWCA BĘDZIE STOSOWAŁ PRODUKT.