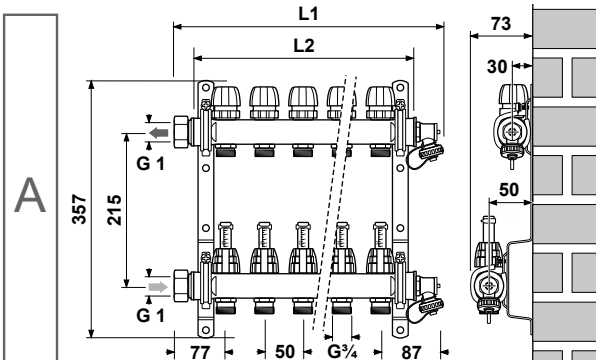
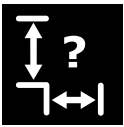
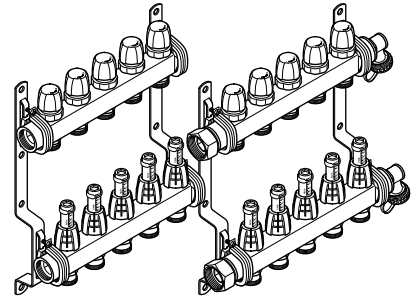
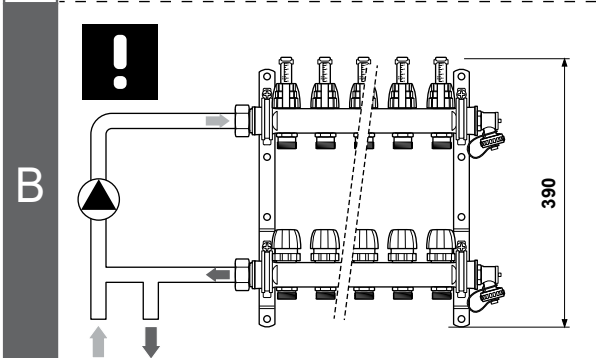


Uponor

Uponor Vario S Manifold FM



n	L1 [mm]	L2 [mm]	n	L1 [mm]	L2 [mm]
2	214	155	10	614	555
3	264	205	11	664	605
4	314	255	12	714	655
5	364	305	13	764	705
6	414	355	14	814	755
7	464	405	15	864	805
8	514	455	16	914	855
9	564	505			



$\vartheta_{sec} = 15 - 60^{\circ}\text{C}$



$P_{max} = 6 \text{ bar}$



$P_{test} = 10 \text{ bar}$



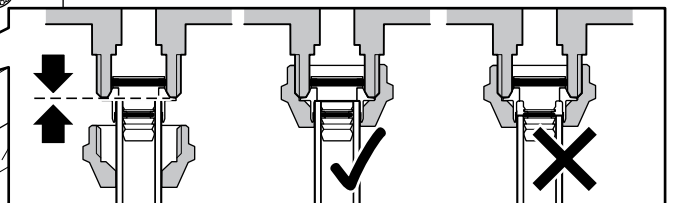
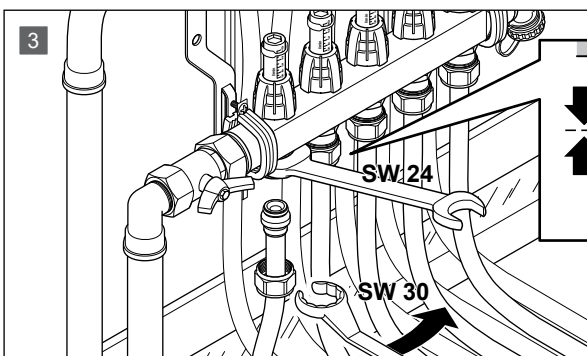
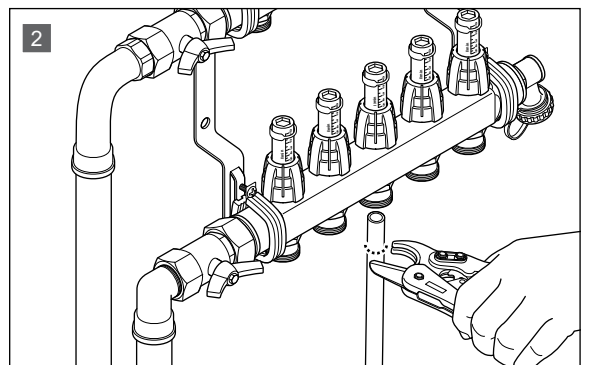
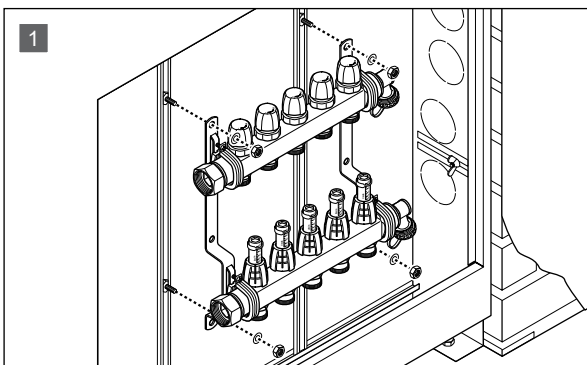
$kvs = 0,95 \text{ m}^3/\text{h}$



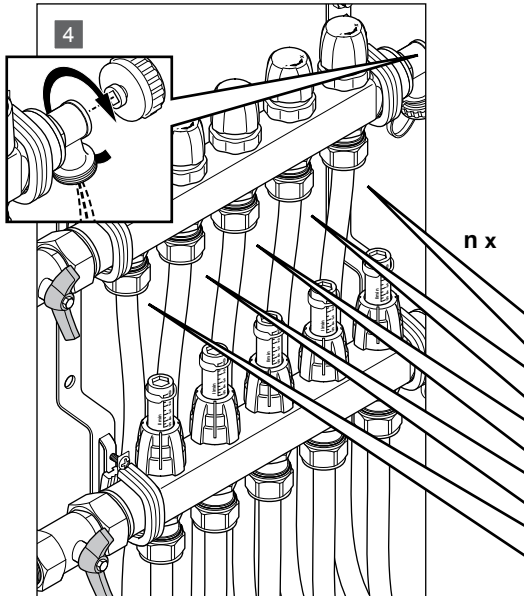
$kvs = 2,83 \text{ m}^3/\text{h}$



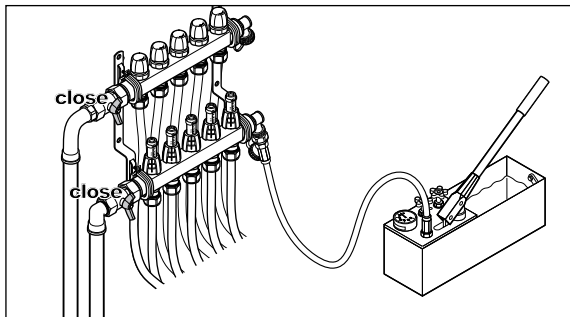
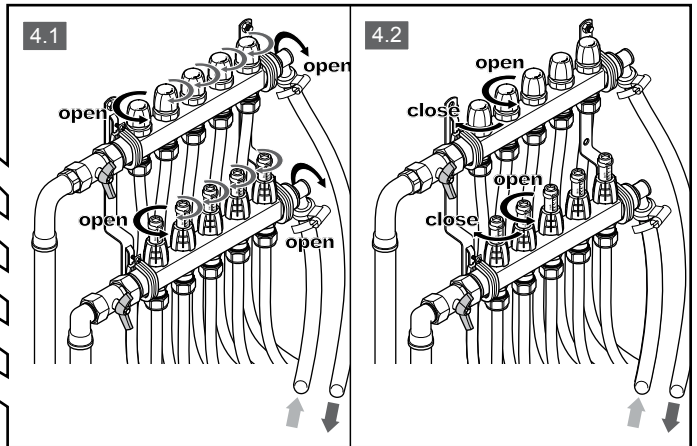
$\dot{V}_{max} = 3,6 \text{ m}^3/\text{h}$
(12 loops)



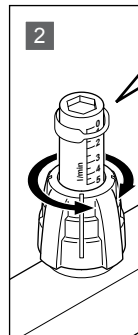
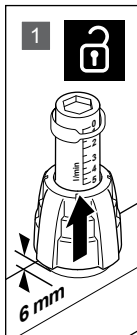
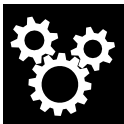
max. 25-30 Nm



EN 1264



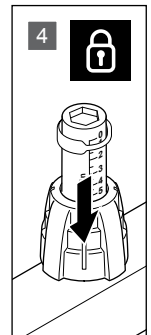
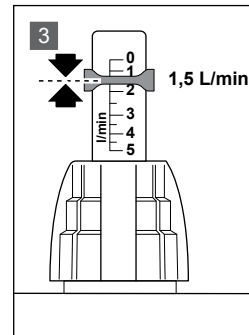
2 h
P = 4 - 6 bar



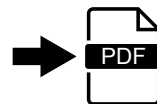
1,5 L/min

Uponor floor heating calculations
 Uponor Fußbodenheizungsberechnung
 Uponor vloerwarmingberekening
 Calculation du chauffage par le sol Uponor
 Calcolo riscaldamento a pannelli radianti Uponor

Room No.	Room Name	Heating circuit No.	Quantity of radiators	Value adjustment
1	1	2	0,5	
2	2	5	3	
3	3	2	1	
4	4	4	4	
5	5	1,5	2	



Uponor Vario S



www.uponor.com/services/download-centre

Uponor GmbH

Industriestraße 56,
D-97437 Hassfurt, Germany

1143222 v1_10_2023
Production: Uponor / SDE

Uponor reserves the right to make changes, without prior notification, to the specification of incorporated components in line with its policy of continuous improvement and development.



www.uponor.com