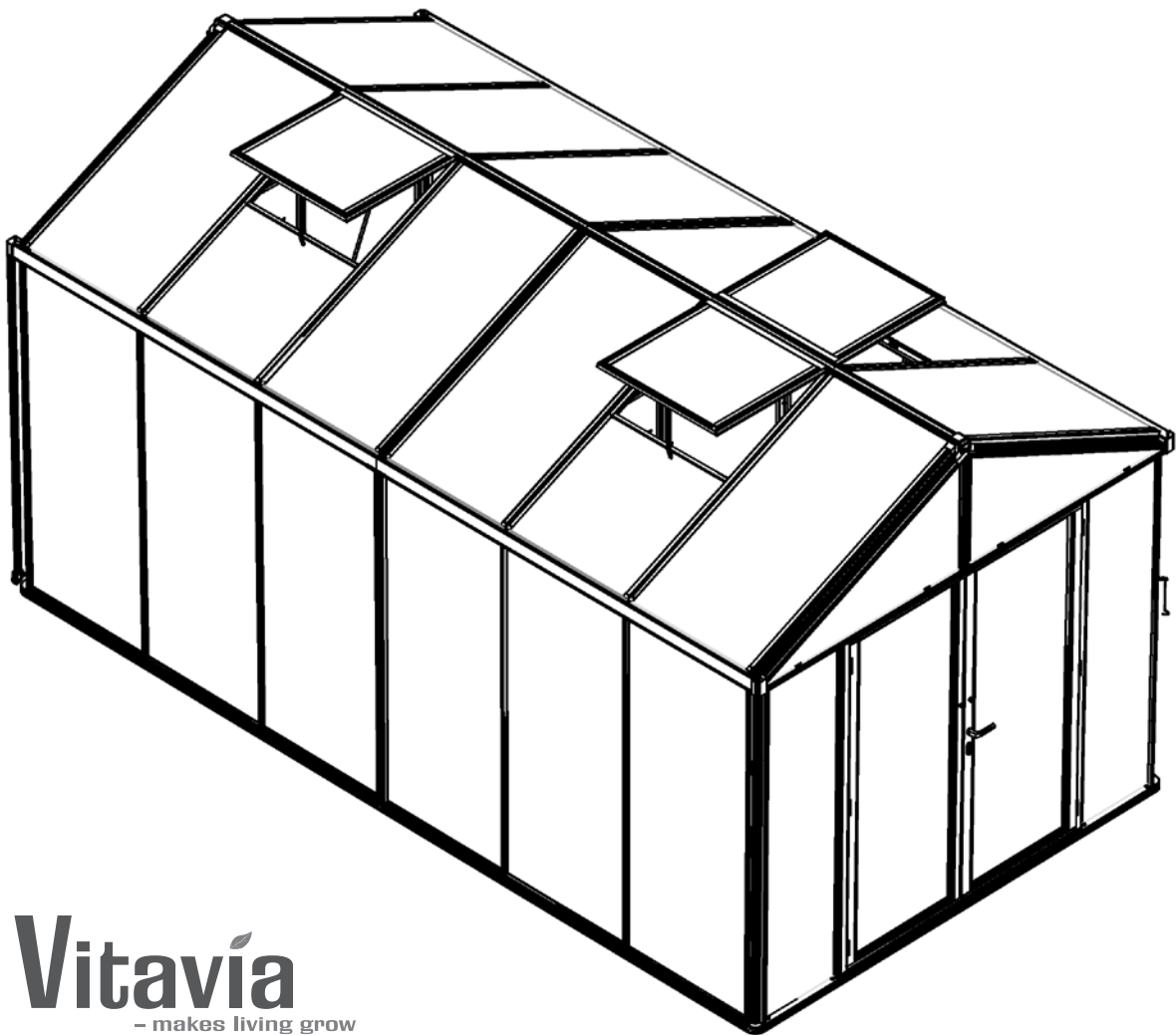


EN Assembly instructions



Vitavía
- makes living grow

POSEIDON
8100, 10000, 11900, 13800, 15700

Dear Customer,

Thank you for choosing our quality product.
We feel confident that it will bring you a lot of pleasure.



Please read these instructions carefully and completely before assembling your greenhouse.

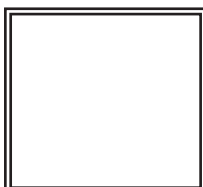
• Contents / Symbols	Page 2
• Recommendations	Page 3
• Safety Notice	Page 4
• Maintenance	Page 5
• Part List Summary	Page 6
• Part list Pack 1/1	Pages 7-19
• Part list Pack 1/2	Page 20
• Part list Pack 2	Pages 21-25
• Part list Pack 3	Pages 26-30
• Part list Pack 4	Pages 31-35
• Part list Pack 5 - Roof Vent	Pages 36-37
• Foundation	Pages 38-39
Assembly	
• Step 1 Sill Bars / Corner Posts	Pages 40-41
• Step 2 Middle Bars / Eave Angles	Pages 42-43
• Step 3 Middle Bars	Pages 44-45
• Step 4 Roof	Pages 46-49
• Step 5 Roof Vents	Pages 50-51
• Step 6 Doors	Pages 52-55
• Step 7 Glazing	Pages 56-65
• Step 8 Finishing	Pages 66-67
• Step 9 Down pipes	Pages 68-69



Diagrams in a single frame show the view from inside the greenhouse.



Important Tip, please take note:



Diagrams in a double frame show the view from outside the greenhouse.



Sharp edges and corners can cause injury. Always wear protective glasses, gloves, shoes and headgear when handling the aluminium profiles, glass and polycarbonate sheets. Broken glass is a safety hazard – always clear up immediately and dispose of with care.

Note:

The product you have purchased is intended **only** for the growing of plants and should **only** be used for this purpose. When used for other purposes we will take no responsibility.

Site Selection

Always try to select a sunny location, sheltered from the wind as much as possible. The site selection is important to ensure best results when cultivating your plants and for the safety of your house.

Before you begin:

Before assembling your new greenhouse, please check that all parts in the provided lists are included. Please take each bundle out of the packaging in order to identify the parts better.

The part lists are sorted according to the carton in which they are delivered.

It is important that the opened bundles do not get mixed with one another.

If something is missing please contact your retailer.

If you find that a part does not fit as shown **do not** make any changes to the part. Please contact your retailer, who will guide you to the relevant customer service partner.

Our policy is one of continuous improvement and we reserve the right to change the specifications without prior notice. This can lead to small differences between your product and that shown in this manual.

The following tools are required:

- **Screw drivers (Normal and Crosshead PH2)**
- **Rubber hammer**
- **2 x 1.8m ladders**
- **10mm combination spanner**
- **Spirit level**
- **Craft knife**
- **Accu-drill with adjustable torque**

Safety Notice

- **Sharp edges and corners can cause injury. Always wear protective glasses, gloves, shoes and headgear when handling the aluminium profiles, glass and polycarbonate sheets. Broken glass is a safety hazard – always clear up immediately and dispose of with care.**
- **It is recommended that this greenhouse is assembled by two to three people.**
- **Important! Danger of crushing during assembly.**
- **The greenhouse should not be assembled during strong wind or storm conditions.**
- **The greenhouse must always be anchored.**
- **Please check the tightness of all nuts and bolts 2 weeks after completing the assembly.**
- **In the event of high wind conditions, close the doors and all vents.**
- **In the event of heavy snowfall, clear the roof of the building or take suitable measures to support the roof. Heat the building in winter.**



Please read these instructions carefully and completely before assembling your greenhouse.

The greenhouse should be thoroughly washed with a gentle detergent occasionally. The glass can be cleaned with glass cleaner. Please check that the cleaning agents used do not react aggressively with aluminium or plastic.

If you are unsure if the cleaning agent is appropriate please test it on a small area out of direct sunlight.



Note:

For the complete protection of your new greenhouse, we advise you to include it in your house insurance. Please take note of possible building rules relating to the positioning of greenhouses.

Please stick the included greenhouse model label onto the door bar after successfully assembling this product. This information is important in the event that replacement parts are later required.

Please keep these Assembly Instructions in a safe place, for future reference!



Note:

Please follow exactly the instructions and tips provided in this instruction manual to avoid any difficulties. Should you find a potential failure in this manual, or find a point not clearly explained, please contact your retailer.

We appreciate your suggestions and support.

A full range of greenhouse accessories, to help you make the most of this product, is available from your stockist. Please make yourself aware of these.

Part List

Before beginning the assembly of your new greenhouse, please check that all parts in the following part lists are included. Please take each bundle out of the packaging to identify the parts more easily.

It is important that the opened bundles do not get mixed with one another.

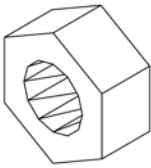
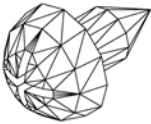

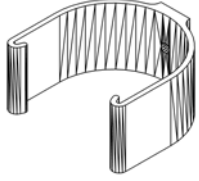

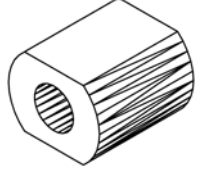

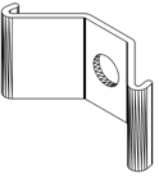

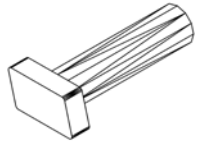



If something is missing please contact your retailer.

Model Poseidon	Pack 1/1 - 1/6 POS	Pack 1/1 - 2/6 POS	Pack 1/1 - 3/6 POS	Pack 1/1 - 4/6	Pack 1/1 - 5/6	Pack 1/1 - 6/6
8100	1	1	1	1	1	1
10000	1	1	1	1	1	1
11900	1	1	1	1	1	1
13800	1	1	1	1	1	1
15700	1	1	1	1	1	1

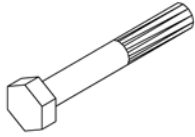
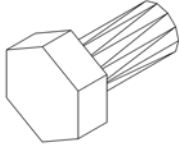



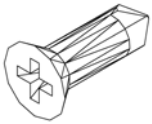
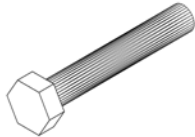
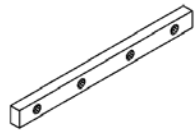

Model Poseidon	Pack 1/2		Pack 2		Pack 3 - 1/2	Pack 3 - 2/2
8100	1		2		-	-
10000	1		1		1	1
11900	1		-		2	2
13800	2		-		1	1
15700	3		-		-	-

Model Poseidon	Pack 4 - 1/2	Pack 4 - 2/2				Pack 5
8100	-	-				-
10000	-	-				-
11900	-	-				1
13800	1	1				1
15700	2	2				1


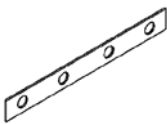
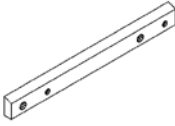
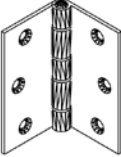
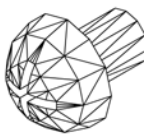
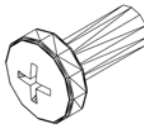
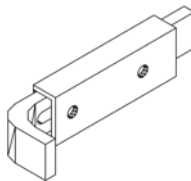
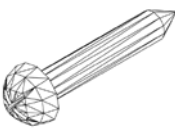
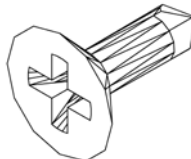
Part List

Pack 1/1 - 1/6 POS					Required Quantity / Model					
Item No.	Part	Section Ref.	Size mm	Quantity in Carton	8100	10000	11900	13800	15700	Profile
1002		9	M6	2	2	2	2	2	2	
1006		4b 5 6 9	3.5x6	20	30	30	36	36	36	
1402		9	36	2	2	2	2	2	2	
1403		9	20	2	2	2	2	2	2	
1405		9	15	2	2	2	2	2	2	
1409		9	20	2	2	2	2	2	2	
1412		9	M6x22	2	2	2	2	2	2	
6090		7b 7c	56000	1	77000	85500	94000	103000	112000	
7048		4b	M6x80	2	0	1	2	2	2	

Part List

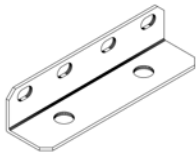

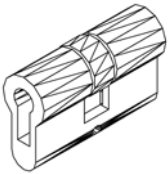
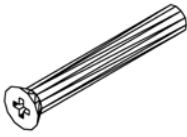

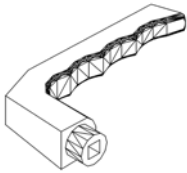

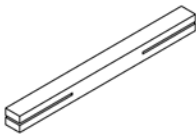
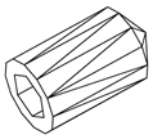
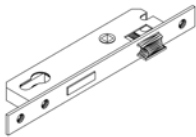
Pack 1/1 - 1/6 POS					Required Quantity / Model					
Item No.	Part	Section Ref.	Size mm	Quantity in Carton	8100	10000	11900	13800	15700	Profile
7050		7b	M6x42	90	124	136	148	160	172	
7052		2, 3 4, 5 6, 7a	M6x12	98	148	170	196	218	240	
7053		1, 2 3, 4 5, 6 7, 8	M6x4	222	306	340	378	412	446	
7054		4b 6	M6x100	8	12	12	14	14	14	
7055		4b 6	M6x10 x14	8	12	12	14	14	14	
7056		8	3.9x13	4	4	4	4	4	4	
7058		7c	M6x38	20	20	20	20	20	20	
7061		1 4a 7a	117	9	13	15	17	17	17	
7062		4	235	4	6	7	8	9	10	

Part List

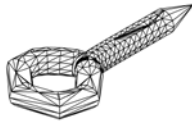
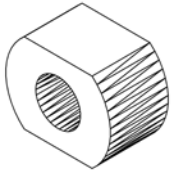

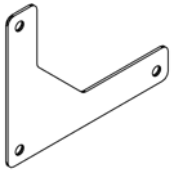
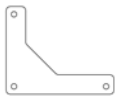
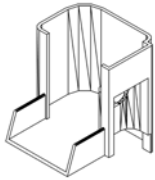
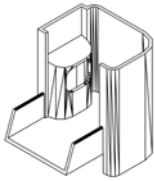
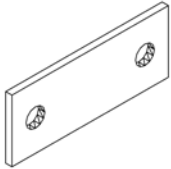


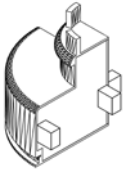


Pack 1/1 - 1/6 POS					Required Quantity / Model					Profile
Item No.	Part	Section Ref.	Size mm	Quantity in Carton	8100	10000	11900	13800	15700	
7063		3	255	4	8	10	12	14	16	
7064		1 4a 7a	117	1	5	5	5	5	5	
7065		4a	140	2	2	2	2	2	2	
7066		6	75	6	6	6	6	6	6	
7080		1 4a 7a	M6x8	36	52	60	68	68	68	
7081		4a	M5x13	4	4	4	4	4	4	
7085		6L	95	2	2	2	2	2	2	
7087		6L	5x30	4	4	4	4	4	4	
7088		6 8	3.9x13	44	42	42	42	42	42	

POSEIDON

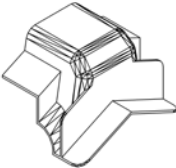
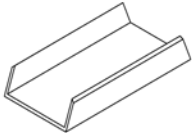

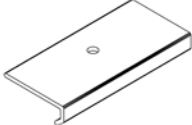

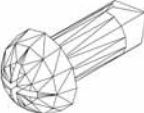

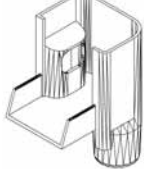
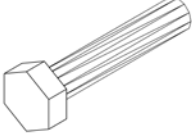
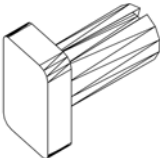
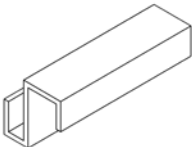

Part List

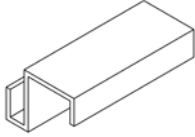

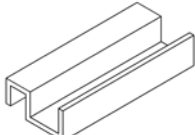

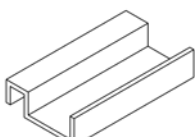

Pack 1/1 - 1/6 POS					Required Quantity / Model					Profile
Item No.	Part	Section Ref.	Size mm	Quantity in Carton	8100	10000	11900	13800	15700	
7095		1	117	8	8	10	12	12	12	
7101		6R	62	1	1	1	1	1	1	
7102		6R	M5x35	1	1	1	1	1	1	
7103		6R	65	2	2	2	2	2	2	
7104		6R	125	2	2	2	2	2	2	
7106		6R	Ø 27	2	2	2	2	2	2	
7107		6R	100	1	1	1	1	1	1	
7108		6R	4.7x8	2	2	2	2	2	2	
7109		6R	240	1	1	1	1	1	1	

Part List

Pack 1/1 - 1/6 POS					Required Quantity / Model					
Item No.	Part	Section Ref.	Size mm	Quantity in Carton	8100	10000	11900	13800	15700	Profile
7111		8	35	2	2	2	2	2	2	
7112		8	8	2	2	2	2	2	2	
7114		6	138	8	8	8	8	8	8	
7128		8	71	1	1	1	1	1	1	
7129		8	71	1	1	1	1	1	1	
7150		6L	50	2	2	2	2	2	2	
7151		8	200	2	2	2	2	2	2	
7200		1	62	4	4	4	4	4	4	
7240		7a	88	2	2	2	2	2	2	

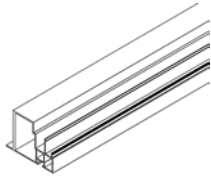
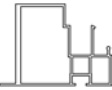
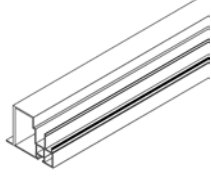

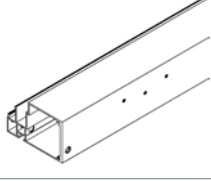

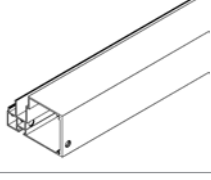

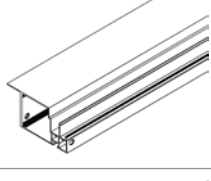

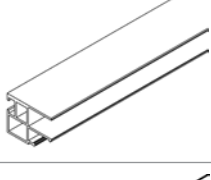

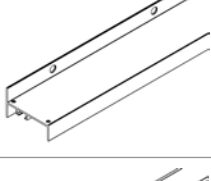

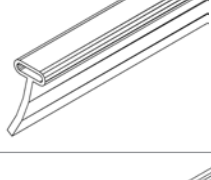


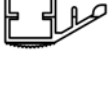
Part List

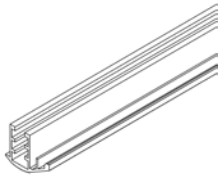
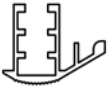
Pack 1/1 - 1/6 POS					Required Quantity / Model					
Item No.	Part	Section Ref.	Size mm	Quantity in Carton	8100	10000	11900	13800	15700	Profile
7266		8	91	2	2	2	2	2	2	
7292		7a	100	2	2	2	2	2	2	
7342		7a	45	4	4	4	4	4	4	
7349		7a* 8	3.9x10	6	50	62	74	86	98	
7370		8	71	1	1	1	1	1	1	
7371		8	71	1	1	1	1	1	1	
7390		2	M6x30	4	4	4	4	4	4	
7399		1 8	M6x12	10	10	10	10	10	10	
7406		7b	30	6	14	16	18	20	22	

Pack 1/1 - 1/6 POS					Required Quantity / Model					
Item No.	Part	Section Ref.	Size mm	Quantity in Carton	8100	10000	11900	13800	15700	Profile
7407		7b	30	6	14	16	18	20	22	
7408		7b	30	8	8	8	8	8	8	
7409		7b	30	8	8	8	8	8	8	

Part List


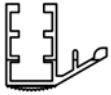
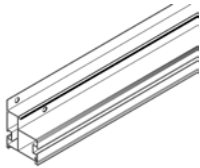
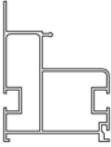
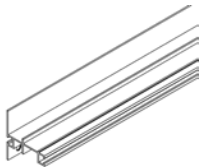
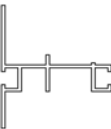
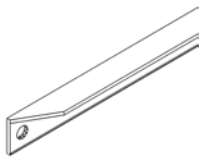

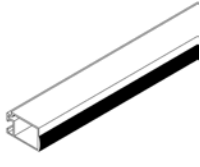

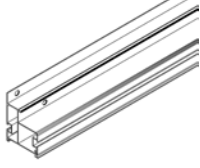
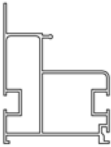
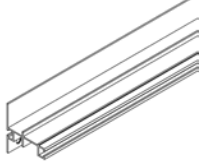
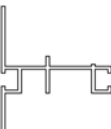
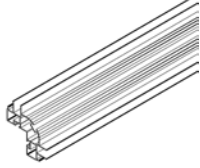

Part List

Pack 1/1 - 2/6 POS					Required Quantity / Model					Profile
Item No.	Part	Section Ref.	Size mm	Quantity in Carton	8100	10000	11900	13800	15700	
7139		2	1775	1	1	1	1	1	1	
7140		2	1775	1	1	1	1	1	1	
7141		6	1728	2	2	2	2	2	2	
7142		6L	1728	1	1	1	1	1	1	
7143		6R	1728	1	1	1	1	1	1	
7144		6	569	4	4	4	4	4	4	
7145		6	711	4	4	4	4	4	4	
7146		6	711	4	4	4	4	4	4	
7147		7c	594	4	4	4	4	4	4	

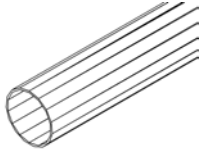
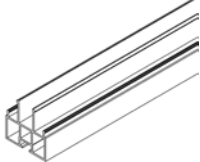
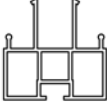
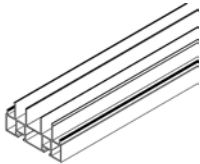

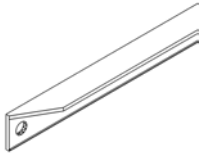

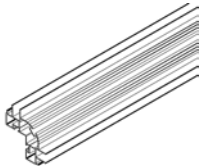

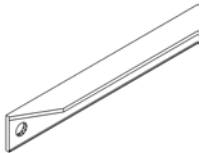

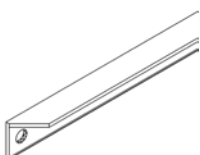

Pack 1/1 - 2/6 POS					Required Quantity / Model					
Item No.	Part	Section Ref.	Size mm	Quantity in Carton	8100	10000	11900	13800	15700	Profile
7148		7c	1724	4	4	4	4	4	4	

Part List

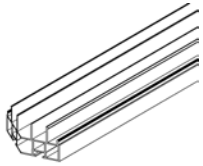

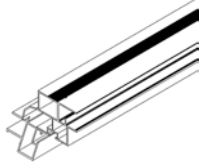
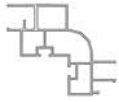
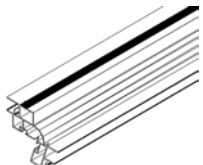
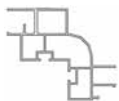
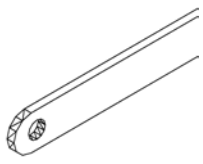

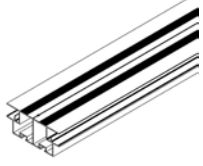

Part List

Pack 1/1 - 3/6 POS					Required Quantity / Model					Profile
Item No.	Part	Section Ref.	Size mm	Quantity in Carton	8100	10000	11900	13800	15700	
7044		7b	443	2	4	4	4	4	4	
7133		1	2460	1	1	1	1	1	1	
7134		2	2459	1	1	1	1	1	1	
7135		3	1831	2	2	2	2	2	2	
7136		2	1502	1	1	1	1	1	1	
7137		1	2460	1	1	1	1	1	1	
7138		2	2459	1	1	1	1	1	1	
7236		1	1775	2	4	4	4	4	4	


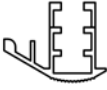






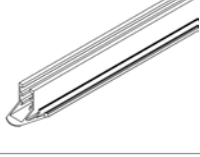









Part List

Pack 1/1 - 4/6					Required Quantity / Model					
Item No.	Part	Section Ref.	Size mm	Quantity in Carton	8100	10000	11900	13800	15700	Profile
1415		9	1750	2	2	2	2	2	2	
7005		3	1775	2	6	8	10	12	14	
7006		2	1775	3	3	3	3	3	3	
7069		3	1924	2	2	2	2	2	2	
7236		1	1775	2	4	4	4	4	4	
7269		3	1926	4	4	4	4	4	4	
7295		4a	1531.5	4	4	4	4	4	4	

Part List

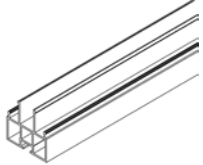



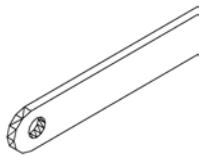

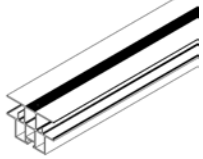
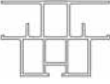
Pack 1/1 - 5/6					Required Quantity / Model					Profile
Item No.	Part	Section Ref.	Size mm	Quantity in Carton	8100	10000	11900	13800	15700	
7219		3	569.5	2	2	2	2	2	2	
7237		4a	1362	2	2	2	2	2	2	
7238		4a	1362	2	2	2	2	2	2	
7249		4b	1251	1	3	4	5	6	7	
7256		4a	1356	2	2	2	2	2	2	

Part List

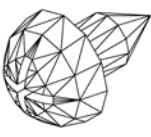
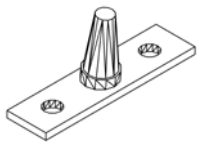


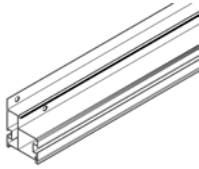
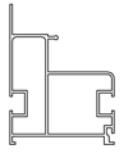

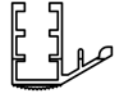
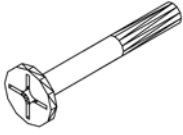
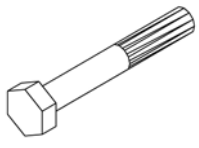
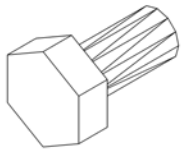

Pack 1/1 - 6/6					Required Quantity / Model					Profile
Item No.	Part	Section Ref.	Size mm	Quantity in Carton	8100	10000	11900	13800	15700	
7030		7b	1793	2	2	2	2	2	2	
7032		7b	1793	2	6	8	10	12	14	
7033		7b	1793	14	14	14	14	14	14	
7034		7b	733	2	10	12	14	16	18	
7044		7b	443	2	4	4	4	4	4	
7074		7b	1369	2	2	2	2	2	2	
7075		7b	1369	2	2	2	2	2	2	
7276		7b	582	2	2	2	2	2	2	
7277		7b	582	2	2	2	2	2	2	

POSEIDON


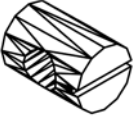
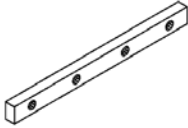


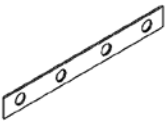
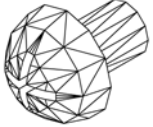

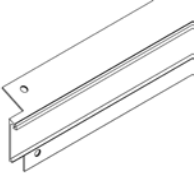

Part List

Pack 1/2					Required Quantity / Model					Profile
Item No.	Part	Section Ref.	Size mm	Quantity in Carton	8100	10000	11900	13800	15700	
7005		3	1775	4	6	8	10	12	14	
7032		7b	1793	4	6	8	10	12	14	
7249		4b	1251	2	3	4	5	6	7	
7255		4b	1356	4	4	6	8	10	12	

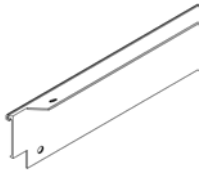

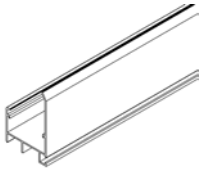
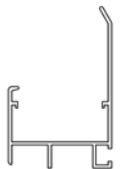
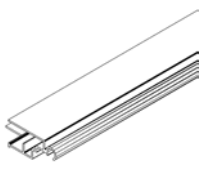

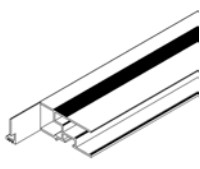
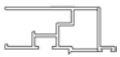
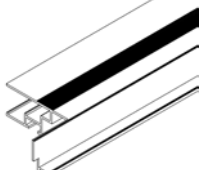
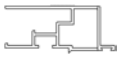
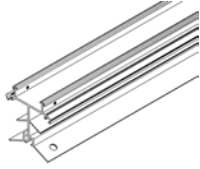

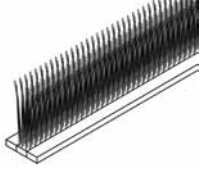

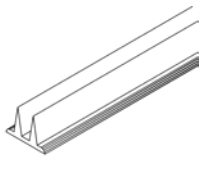



Part List

Pack 2					Required Quantity / Model					
Item No.	Part	Section Ref.	Size mm	Quantity in Carton	8100	10000	11900	13800	15700	Profile
1006		4b 5 6 9	3.5x6	6	30	30	36	36	36	
6056		4b	46	2	4	4	6	6	6	
6090		7b 7c	10500	1	77000	85500	94000	103000	112000	
7001		1	1520	2	4	2	-	-	-	
7034		7b	733	4	10	12	14	16	18	
7047		4b	M6x48	1	2	4	4	6	8	
7050		7b	M6x42	19	124	136	148	160	172	
7052		2, 3 4, 5 6, 7a	M6x12	30	148	170	196	218	240	
7053		1, 2 3, 4 5, 6 7, 8	M6x4	49	306	340	378	412	446	

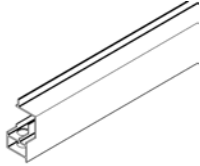
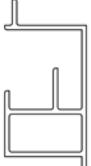

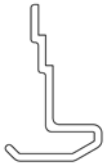
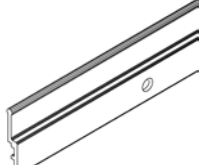


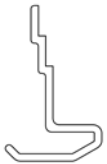


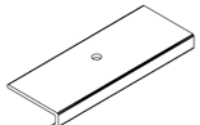

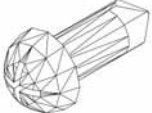
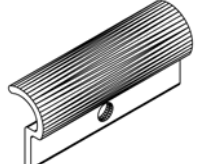

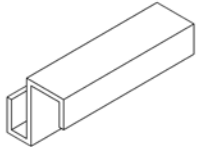

Part List

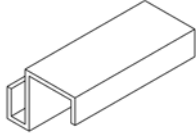

Pack 2					Required Quantity / Model					
Item No.	Part	Section Ref.	Size mm	Quantity in Carton	8100	10000	11900	13800	15700	Profile
7054		4b 6	M6x100	2	12	12	14	14	14	
7055		4b 6	M6x10 x14	2	12	12	14	14	14	
7061		1 4a 7a	117	2	13	15	17	17	17	
7062		4	235	1	6	7	8	9	10	
7063		3	255	2	8	10	12	14	16	
7064		1 4a 7a	117	2	5	5	5	5	5	
7080		1 4a 7a	M6x8	8	52	60	68	68	68	
7090		5	324	1	2	2	3	3	3	
7201		2	1539	1	2	1	-	-	-	

Part List

Pack 2					Required Quantity / Model					Profile
Item No.	Part	Section Ref.	Size mm	Quantity in Carton	8100	10000	11900	13800	15700	
7202		2	1539	1	2	1	-	-	-	
7213		7a	1539	2	4	2	-	-	-	
7244		5	713	1	2	2	3	3	3	
7247 (7291)		5	674	1	2	2	3	3	3	
7248 (7291)		5	674	1	2	2	3	3	3	
7250		4a	1520	1	2	1	-	-	-	
7257		4a	1520	2	4	2	-	-	-	
7291 (7247 & 7248)		5	674	2	4	4	6	6	6	
7293		5	713	1	2	2	3	3	3	

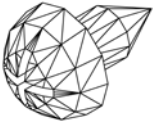
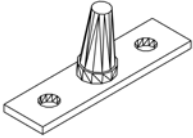


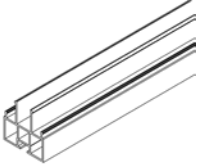
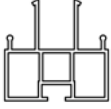

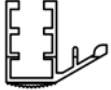
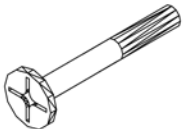
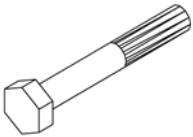
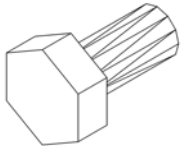

Part List

Pack 2					Required Quantity / Model					Profile
Item No.	Part	Section Ref.	Size mm	Quantity in Carton	8100	10000	11900	13800	15700	
7294		4b	708	1	2	2	3	3	3	
7296		7a	707	4	8	10	12	14	16	
7297		7a	687	4	8	10	12	14	16	
7298		7a*	30	7	6 +8*	8 +10*	9 +12*	11 +14*	13 +16*	
7299		7a*	30	7	6 +8*	8 +10*	9 +12*	11 +14*	13 +16*	
7343		7a	56	2	4	6	8	10	12	
7349		7a* 8	3.9x10	23	50	62	74	86	98	
7369		8	30	2	4	4	6	6	6	
7406		7b	30	4	14	16	18	20	22	


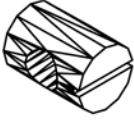
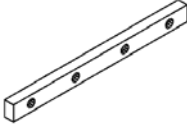


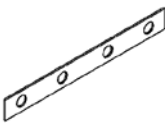
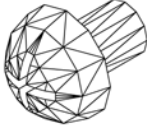

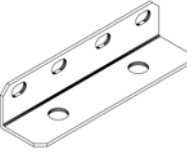

Pack 2					Required Quantity / Model					
Item No.	Part	Section Ref.	Size mm	Quantity in Carton	8100	10000	11900	13800	15700	Profile
7407		7b	30	4	14	16	18	20	22	

Part List

Part List

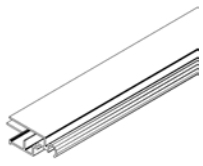

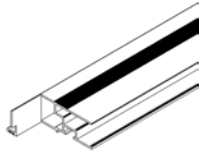

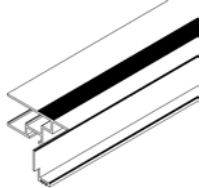

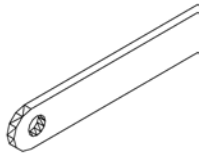

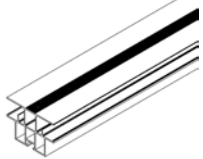
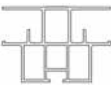
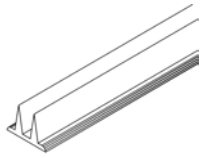

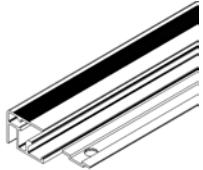

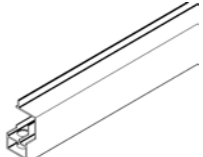

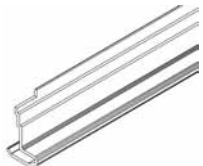

Pack 3 - 1/2					Required Quantity / Model					
Item No.	Part	Section Ref.	Size mm	Quantity in Carton	8100	10000	11900	13800	15700	Profile
1006		4b 5 6 9	3.5x6	6	30	30	36	36	36	
6056		4b	46	2	4	4	6	6	6	
6090		7b 7c	19000	1	77000	85500	94000	103000	112000	
7005		3	1775	2	6	8	10	12	14	
7034		7b	733	6	10	12	14	16	18	
7047		4b	M6x48	3	2	4	4	6	8	
7050		7b	M6x42	31	124	136	148	160	172	
7052		2, 3 4, 5 6, 7a	M6x12	52	148	170	196	218	240	
7053		1, 2 3, 4 5, 6 7, 8	M6x4	83	306	340	378	412	446	

Part List

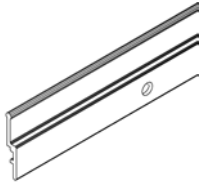



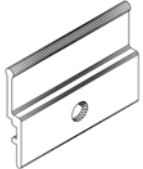

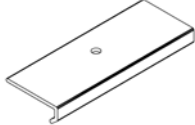

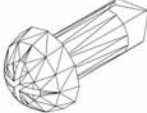
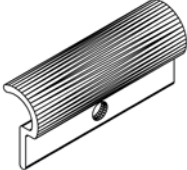

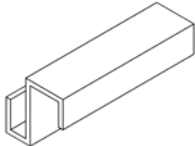

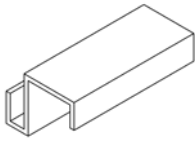
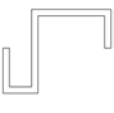
Pack 3 - 1/2					Required Quantity / Model					
Item No.	Part	Section Ref.	Size mm	Quantity in Carton	8100	10000	11900	13800	15700	Profile
7054		4b 6	M6x100	2	12	12	14	14	14	
7055		4b 6	M6x10 x14	2	12	12	14	14	14	
7061		1 4a 7a	117	4	13	15	17	17	17	
7062		4	235	2	6	7	8	9	10	
7063		3	255	4	8	10	12	14	16	
7064		1 4a 7a	117	2	5	5	5	5	5	
7080		1 4a 7a	M6x8	16	52	60	68	68	68	
7090		5	324	1	2	2	3	3	3	
7095		1	117	2	8	10	12	12	12	

POSEIDON

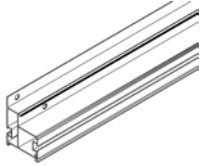
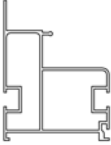


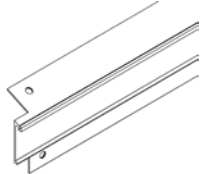

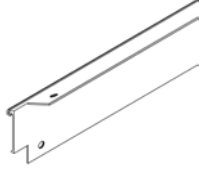

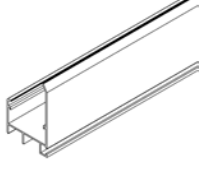
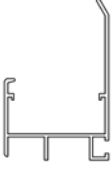
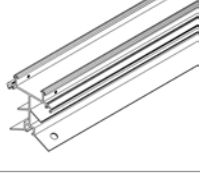
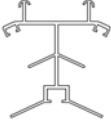
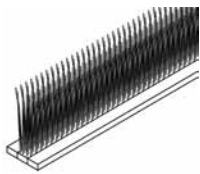

Part List

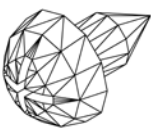
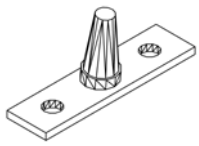



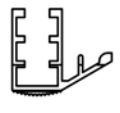
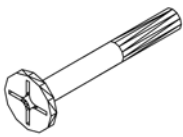
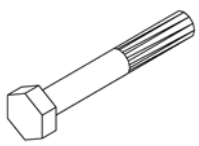
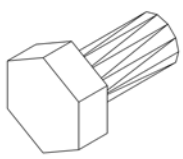


Pack 3 - 1/2					Required Quantity / Model					Profile
Item No.	Part	Section Ref.	Size mm	Quantity in Carton	8100	10000	11900	13800	15700	
7244		5	713	1	2	2	3	3	3	
7247 (7291)		5	674	1	2	2	3	3	3	
7248 (7291)		5	674	1	2	2	3	3	3	
7249		4b	1251	1	3	4	5	6	7	
7255		4b	1356	2	4	6	8	10	12	
7291 (7247 & 7248)		5	674	2	4	4	6	6	6	
7293		5	713	1	2	2	3	3	3	
7294		4b	708	1	2	2	3	3	3	
7296		7a	707	6	8	10	12	14	16	

Part List

Pack 3 - 1/2					Required Quantity / Model					Profile
Item No.	Part	Section Ref.	Size mm	Quantity in Carton	8100	10000	11900	13800	15700	
7297		7a	687	6	8	10	12	14	16	
7298		7a*	30	11	6 +8*	8 +10*	9 +12*	11 +14*	13 +16*	
7299		7a*	30	11	6 +8*	8 +10*	9 +12*	11 +14*	13 +16*	
7343		7a	56	4	4	6	8	10	12	
7349		7a* 8	3.9x10	34	50	62	74	86	98	
7369		8	30	2	4	4	6	6	6	
7406		7b	30	6	14	16	18	20	22	
7407		7b	30	6	14	16	18	20	22	

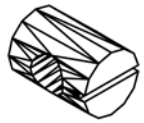
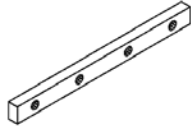


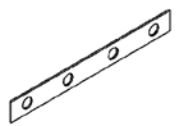
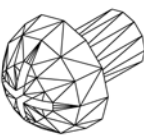
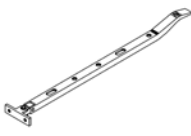
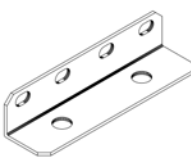

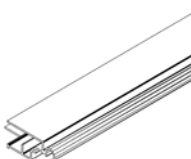

Part List

Pack 3 - 2/2					Required Quantity / Model					Profile
Item No.	Part	Section Ref.	Size mm	Quantity in Carton	8100	10000	11900	13800	15700	
7002		1	2264	2	-	2	4	2	-	
7032		7b	1793	2	6	8	10	12	14	
7203		2	2283	1	-	1	2	1	-	
7204		2	2283	1	-	1	2	1	-	
7214		7a	2283	2	-	2	4	2	-	
7251		4a	2264	1	-	1	2	1	-	
7258		4a	2264	2	-	2	4	2	-	

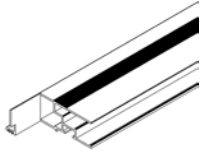

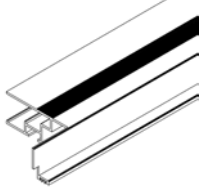

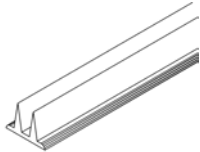

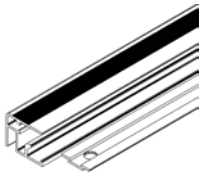

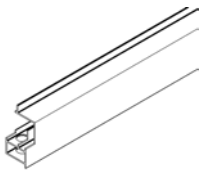
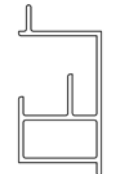

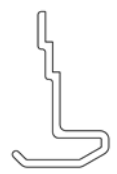
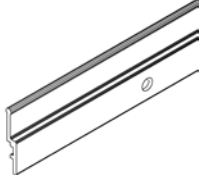
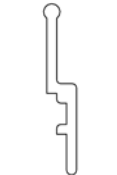

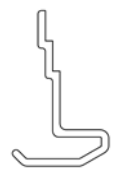

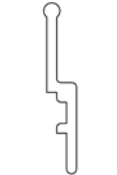
Pack 4 - 1/2					Required Quantity / Model					
Item No.	Part	Section Ref.	Size mm	Quantity in Carton	8100	10000	11900	13800	15700	Profile
1006		4b 5 6 9	3.5x6	6	30	30	36	36	36	
6056		4b	46	2	4	4	6	6	6	
6090		7b 7c	28000	1	77000	85500	94000	103000	112000	
7034		7b	733	8	10	12	14	16	18	
7047		4b	M6x48	5	2	4	4	6	8	
7050		7b	M6x42	43	124	136	148	160	172	
7052		2, 3 4, 5 6, 7a	M6x12	74	148	170	196	218	240	
7053		1, 2 3, 4 5, 6 7, 8	M6x4	117	306	340	378	412	446	
7054		4b 6	M6x100	2	12	12	14	14	14	

Part List

Part List

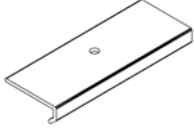

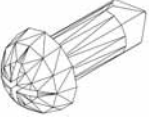
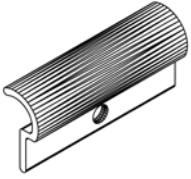

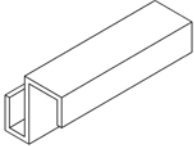

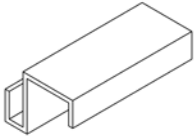

Pack 4 - 1/2					Required Quantity / Model					
Item No.	Part	Section Ref.	Size mm	Quantity in Carton	8100	10000	11900	13800	15700	Profile
7055		4b 6	M6x10 x14	2	12	12	14	14	14	
7061		1 4a 7a	117	4	13	15	17	17	17	
7062		4	235	3	6	7	8	9	10	
7063		3	255	6	8	10	12	14	16	
7064		1 4a 7a	117	2	5	5	5	5	5	
7080		1 4a 7a	M6x8	16	52	60	68	68	68	
7090		5	324	1	2	2	3	3	3	
7095		1	117	2	8	10	12	12	12	
7244		5	713	1	2	2	3	3	3	

Part List

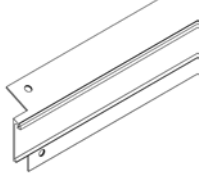

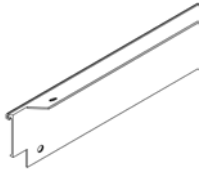

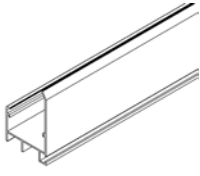
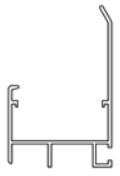
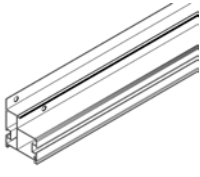
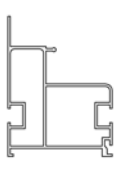
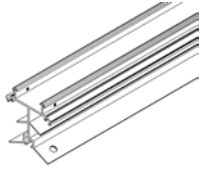

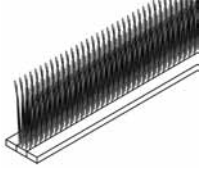

Pack 4 - 1/2					Required Quantity / Model					
Item No.	Part	Section Ref.	Size mm	Quantity in Carton	8100	10000	11900	13800	15700	Profile
7247 (7291)		5	674	1	2	2	3	3	3	
7248 (7291)		5	674	1	2	2	3	3	3	
7291 (7247 & 7248)		5	674	2	4	4	6	6	6	
7293		5	713	1	2	2	3	3	3	
7294		4b	708	1	2	2	3	3	3	
7296		7a	707	8	8	10	12	14	16	
7297		7a	687	8	8	10	12	14	16	
7298		7a*	30	15	6 +8*	8 +10*	9 +12*	11 +14*	13 +16*	
7299		7a*	30	15	6 +8*	8 +10*	9 +12*	11 +14*	13 +16*	

POSEIDON

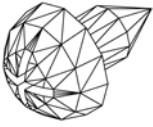
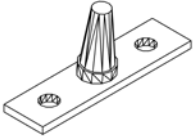
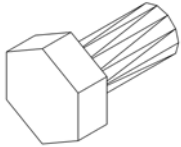


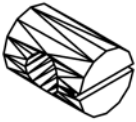

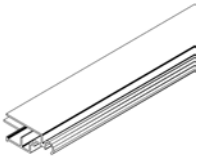

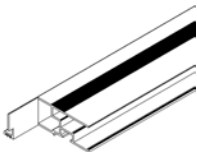
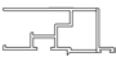
Part List

Pack 4 - 1/2					Required Quantity / Model					
Item No.	Part	Section Ref.	Size mm	Quantity in Carton	8100	10000	11900	13800	15700	Profile
7343		7a	56	6	4	6	8	10	12	
7349		7a* 8	3.9x10	46	50	62	74	86	98	
7369		8	30	2	4	4	6	6	6	
7406		7b	30	8	14	16	18	20	22	
7407		7b	30	8	14	16	18	20	22	

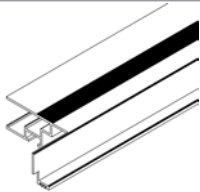

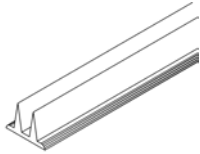

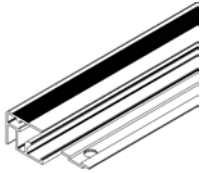

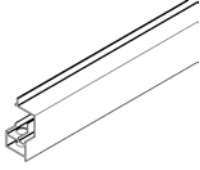
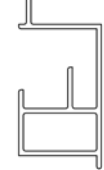
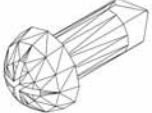
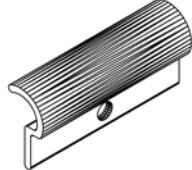

Part List

Pack 4 - 2/2					Required Quantity / Model					
Item No.	Part	Section Ref.	Size mm	Quantity in Carton	8100	10000	11900	13800	15700	Profile
7205		2	3027	1	-	-	-	1	2	
7206		2	3027	1	-	-	-	1	2	
7215		7a	3027	2	-	-	-	2	4	
7224		1	3008	2	-	-	-	2	4	
7252		4a	3008	1	-	-	-	1	2	
7259		4a	3008	2	-	-	-	2	4	

Part List

Pack 5 - Roof Vent					Required Quantity / Model					Profile
Item No.	Part	Section Ref.	Size mm	Quantity in Carton	8100	10000	11900	13800	15700	
1006		4b 5 6 9	3.5x6	6	30	30	36	36	36	
6056		4b	46	2	4	4	6	6	6	
7052		2, 3 4, 5 6, 7a	M6x12	4	148	170	196	218	240	
7053		1, 2 3, 4 5, 6 7, 8	M6x4	4	306	340	378	412	446	
7054		4b 6	M6x100	2	12	12	14	14	14	
7055		4b 6	M6x10 x14	2	12	12	14	14	14	
7090		5	324	1	2	2	3	3	3	
7244		5	713	1	2	2	3	3	3	
7247 (7291)		5	674	1	2	2	3	3	3	

Part List

Pack 5 - Roof Vent					Required Quantity / Model					
Item No.	Part	Section Ref.	Size mm	Quantity in Carton	8100	10000	11900	13800	15700	Profile
7248 (7291)		5	674	1	2	2	3	3	3	
7291 (7247 & 7248)		5	674	2	4	4	6	6	6	
7293		5	713	1	2	2	3	3	3	
7294		4b	708	1	2	2	3	3	3	
7349		7a* 8	3.9x10	2	50	62	74	86	98	
7369		8	30	2	4	4	6	6	6	



IMPORTANT:

Materials and tools for the preparation of the suggested foundation are not included in this product.



The following foundation specifications are suggestions only.

For the erection of this greenhouse we suggest a solid foundation. It is possible to prepare this foundation from concrete, brickwork or stonework. If you have no experience with the construction of such a foundation please consult a company specialising in this work.

Important: The foundation must extend down below the frost level. The specified dimensions are to be followed exactly and allow for the connection of the sill bar to the foundation, using the supplied connecting angles 7095, inside or outside the greenhouse. The angle 7095 requires 50mm space.



IMPORTANT:

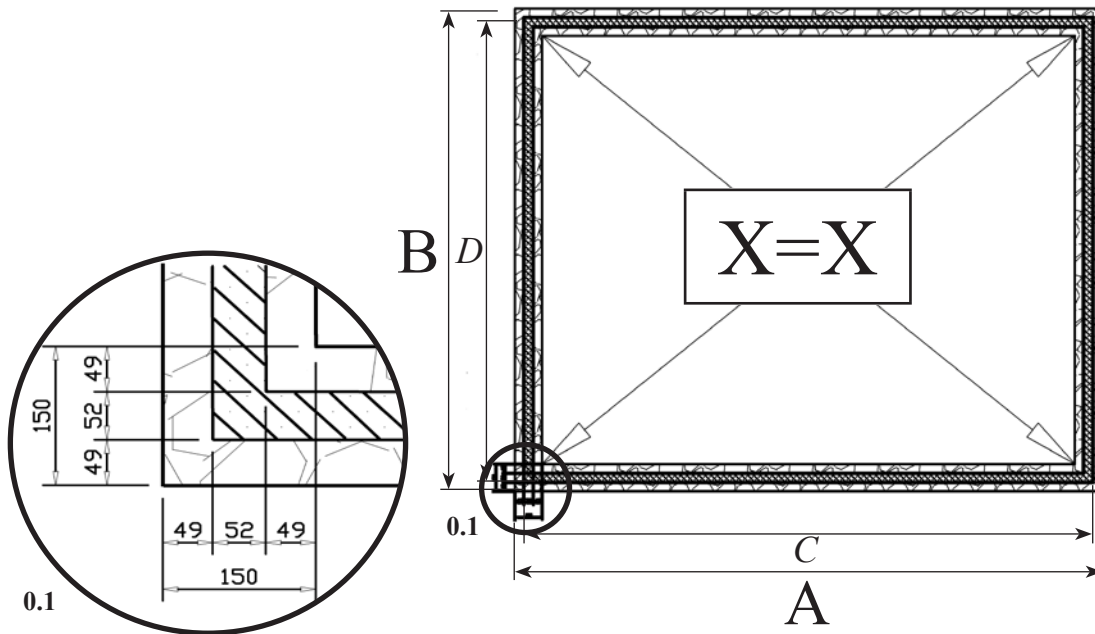
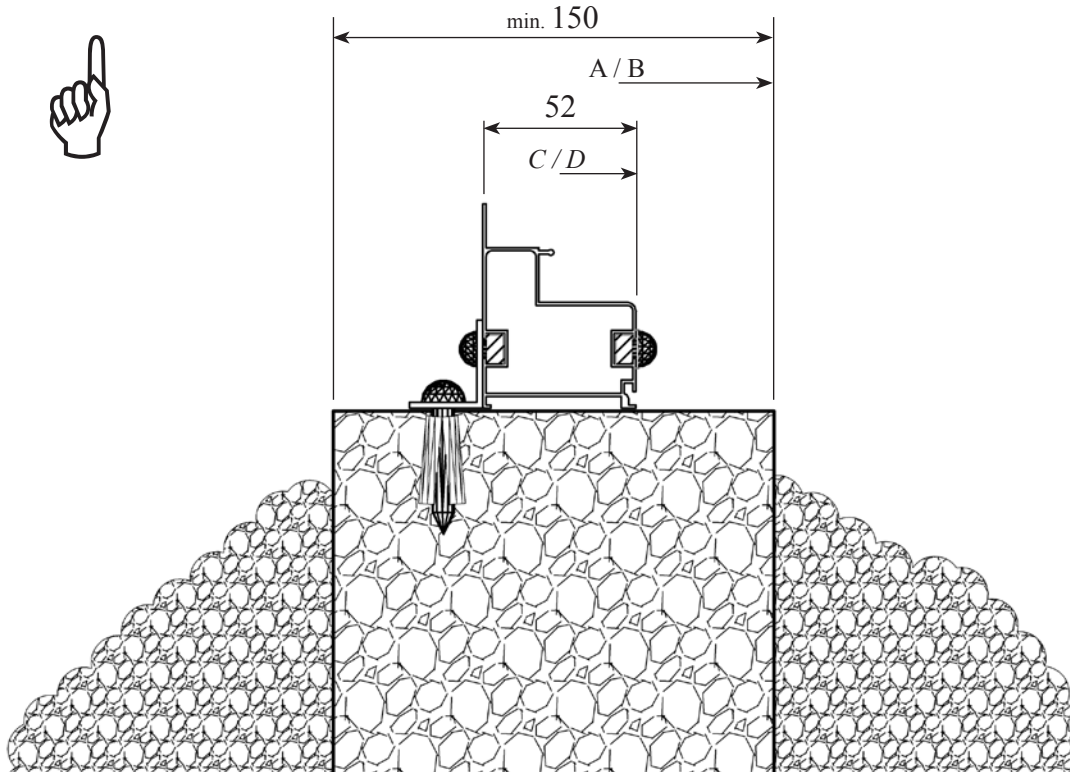
The foundation must be exactly right angular and level. To achieve this you will require a spirit level and a right angle.

(Tip: If the distance between the two opposite corners is the same then the foundation is right angular.)

Assemble your greenhouse onto your prepared foundation.

Important:

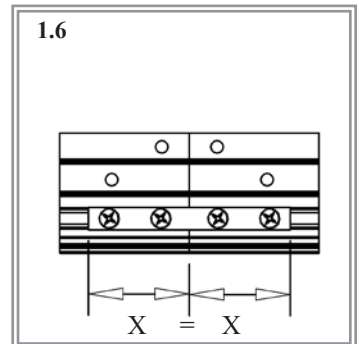
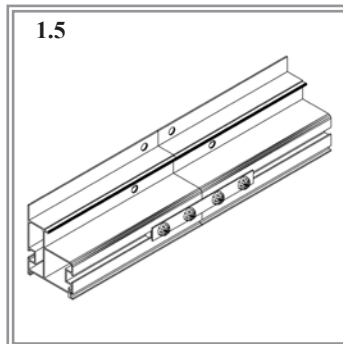
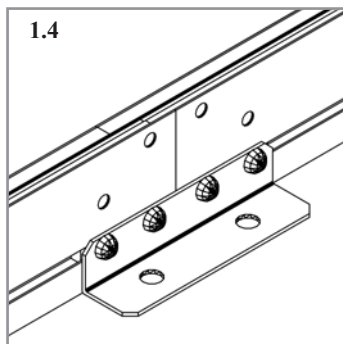
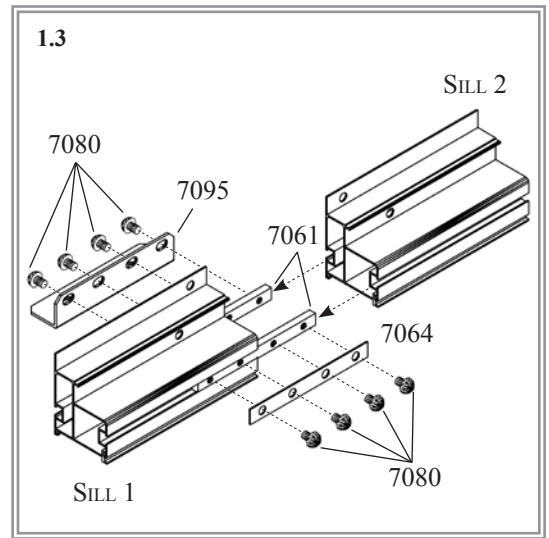
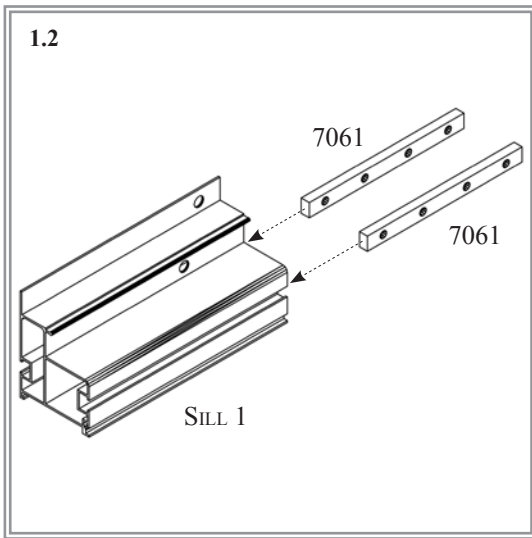
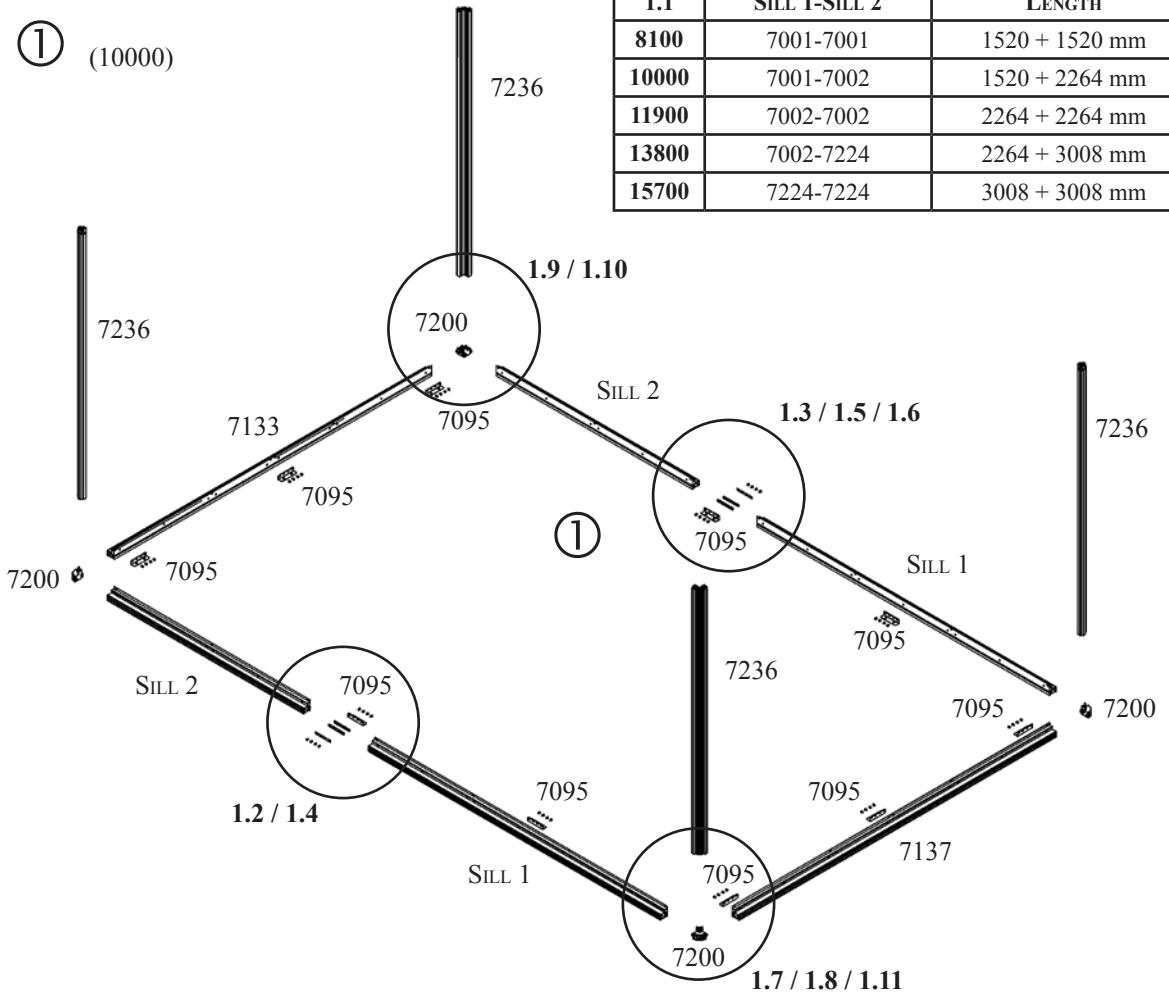
The greenhouse should be connected to the foundation only after the greenhouse is completely assembled and it has been checked to be exactly right angular and level.



	8100	10000	11900	13800	15700
A	3242 mm	3986 mm	4730 mm	5474 mm	6218 mm
B	2662 mm	2662 mm	2662 mm	2662 mm	2662 mm
C	(3144 mm)	(3888 mm)	(4632 mm)	(5376 mm)	(6120 mm)
D	(2564 mm)	(2564 mm)	(2564 mm)	(2564 mm)	(2564 mm)

Model				
8100	10000	11900	13800	15700
7001				
4	2	0	0	0
7002				
0	2	4	2	0
7053				
8	8	8	8	8
7061				
10	12	14	14	14
7064				
2	2	2	2	2
7080				
40	48	56	56	56
7095				
8	10	12	12	12
7133				
1	1	1	1	1
7137				
1	1	1	1	1
7200				
4	4	4	4	4
7224				
0	0	0	2	4
7236				
4	4	4	4	4
7399				
8	8	8	8	8

1.1	SILL 1-SILL 2	LENGTH
8100	7001-7001	1520 + 1520 mm
10000	7001-7002	1520 + 2264 mm
11900	7002-7002	2264 + 2264 mm
13800	7002-7224	2264 + 3008 mm
15700	7224-7224	3008 + 3008 mm

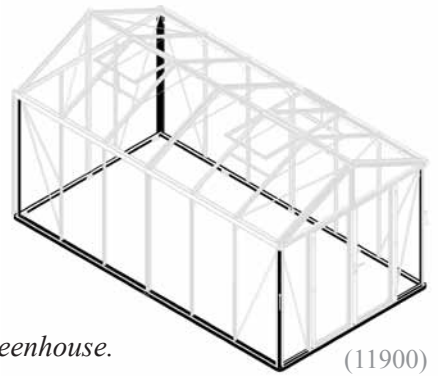


SILL BARS / CORNER POSTS

ATTENTION ...

The sill bars, using angles 7095, should be connected to the foundation only after the house is completely assembled.

It is recommended that this greenhouse be assembled by at least 2 people.



Diagrams in a single frame (as 1.4) show the view from inside the greenhouse.

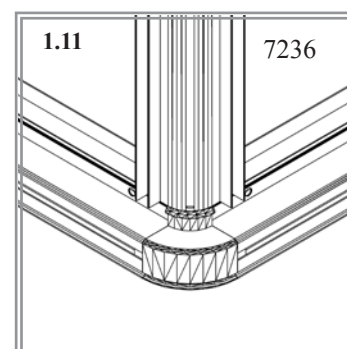
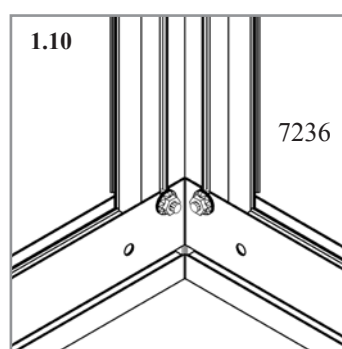
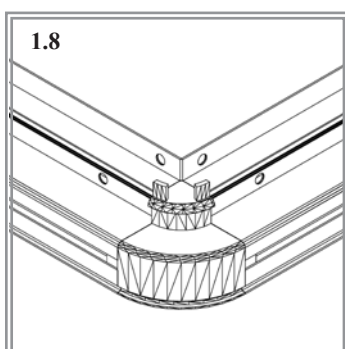
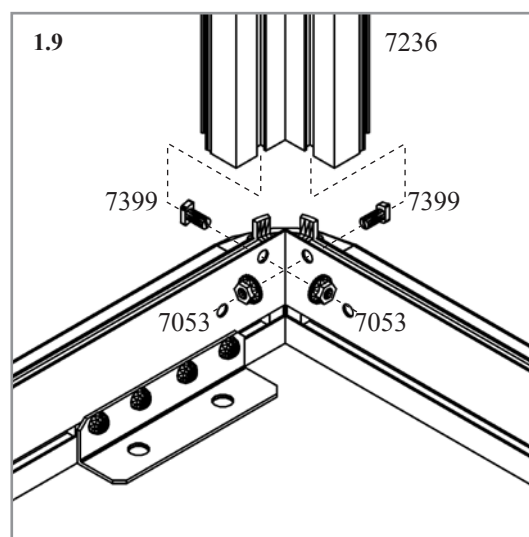
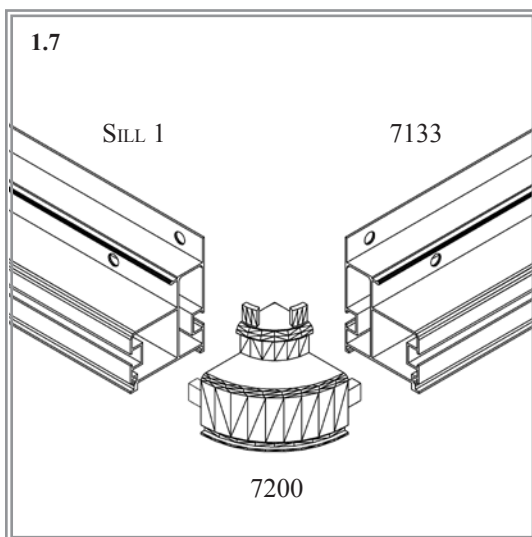
Diagrams in a double frame (as 1.2) show the view from outside the greenhouse.

Remove sill bars 7133 and 7137 from Pack 1/1-3/6 and sill bars 7001, 7002 or 7224 from Packs 2, 3 or 4 as required, see table (1.1). Lay them on the prepared foundation as shown in diagram ①. Connect them by sliding connecting blocks 7061 into the channels in the sill bars (1.2) and loosely fix them in place using plates 7064 or angles 7095 and screws 7080 (1.3) (1.4) (1.5). Ensure the assembled connectors are centred on the join of the sill bars (1.6) and tighten all screws 7080 (1.6).

Connect the four assembled sill sides together by inserting the corner plastics 7200 into the channels in the sill bars (1.7) (1.8).

Loosely prepare bolts 7399 and nuts 7053 as shown in (1.9). Lower corner bar 7236 fitting the bolt heads of 7399 into the bolt channels in 7236 (1.9) and ensuring 7236 fits over the guides in the top of 7200 (1.11). Tighten nuts 7053 (1.10).

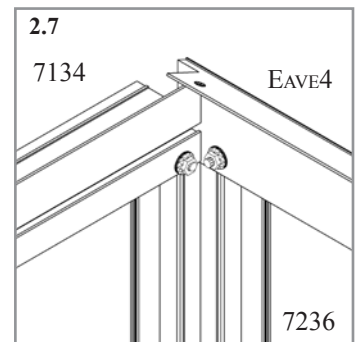
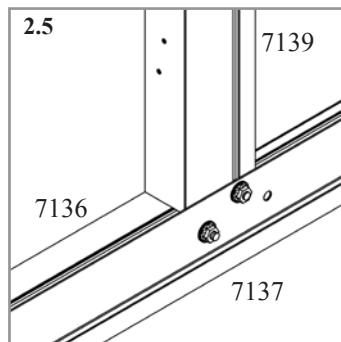
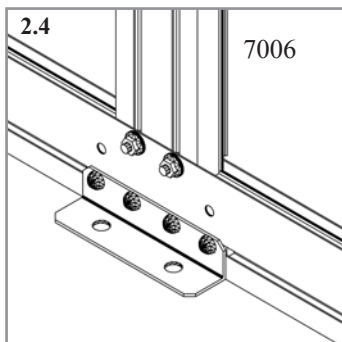
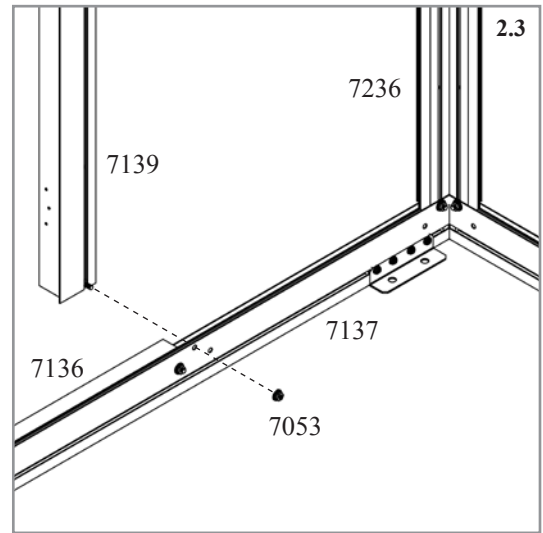
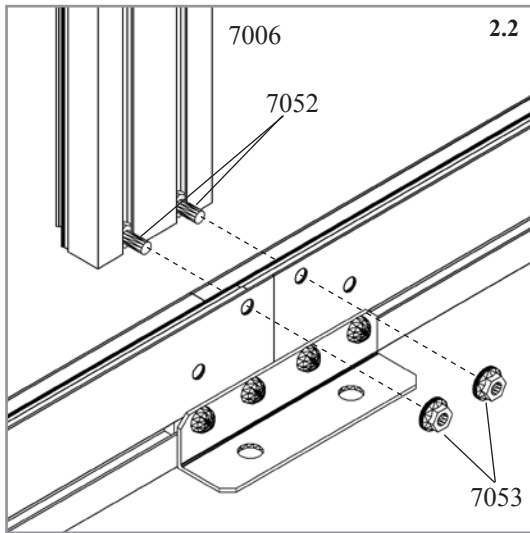
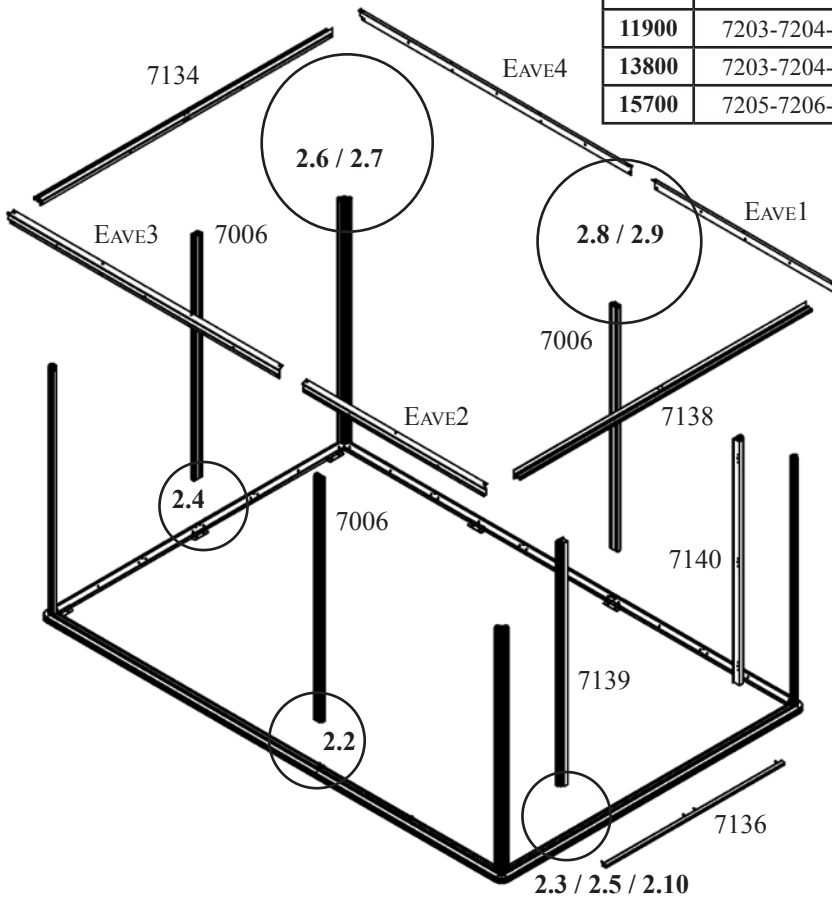
When all four corners are connected check that the sill sides are at right angles to one another.



Model				
8100	10000	11900	13800	15700
7006				
3	3	3	3	3
7052				
32	32	32	32	32
7053				
36	36	36	36	36
7134				
1	1	1	1	1
7136				
1	1	1	1	1
7138				
1	1	1	1	1
7139				
1	1	1	1	1
7140				
1	1	1	1	1
7201				
2	1	0	0	0
7202				
2	1	0	0	0
7203				
0	1	2	1	0
7204				
0	1	2	1	0
7205				
0	0	0	1	2
7206				
0	0	0	1	2
7390				
4	4	4	4	4

② (10000)

2.1	EAVE1-EAVE2-EAVE3-EAVE4	LENGTH (EAVE 1/EAVE 2)+(EAVE 3/EAVE 4)
8100	7201-7202-7201-7202	1539 + 1539 mm
10000	7201-7202-7203-7204	1539 + 2283 mm
11900	7203-7204-7203-7204	2283 + 2283 mm
13800	7203-7204-7205-7206	2283 + 3027 mm
15700	7205-7206-7205-7206	3027 + 3027 mm

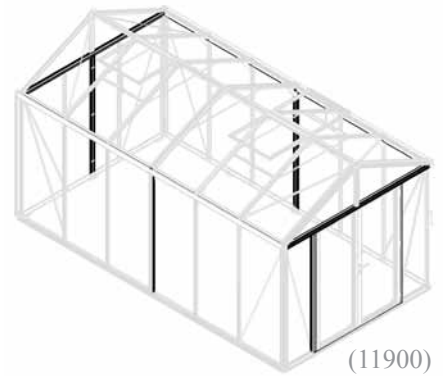


MIDDLE BARS / EAVE ANGLES

ATTENTION ...

This step will require 2 to 3 people to assemble.

Please connect all nuts and bolts loosely as some must be removed again to assemble other parts later.

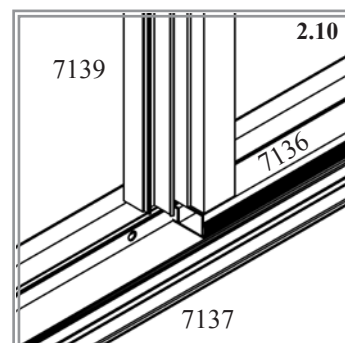
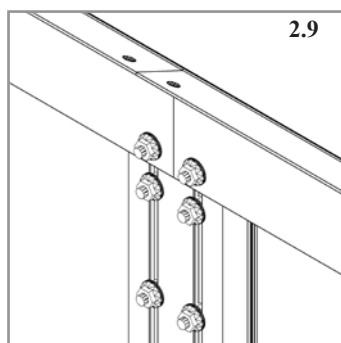
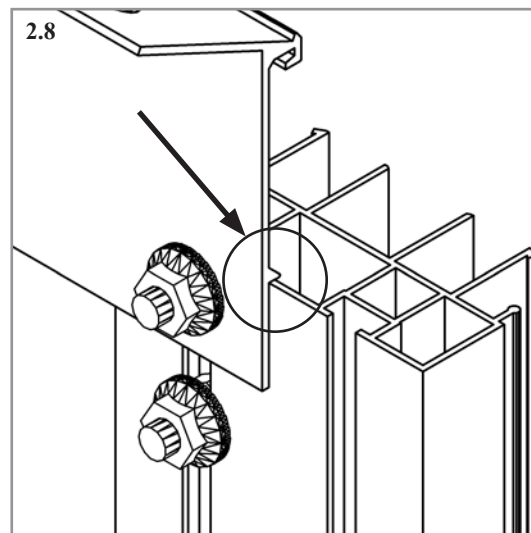
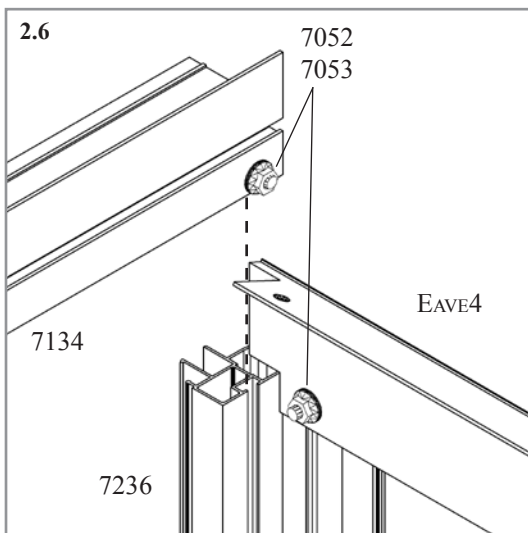


Begin by preparing the four bolts 7390 in the door sill bar 7136. Connect 7136 into sill bar 7137, from the outside, in the door opening (2.3) (2.10).

Please insert in two of the middle bars 7006, in each bolt channel, two extra bolts 7052 with nuts 7053 to later connect braces 7063 (2.9). Connect these prepared 7006 onto the sides by inserting bolts 7052 into the bolt channels and connect to the sill bar using nuts 7053 (2.2).

Connect middle bars 7006 and the corner posts 7236 to the eave angles, table 2.1 (2.6 - 2.9). Please take care to ensure that the eave angles are pushed into the corner of 7236 (2.6) and that the assembly edge sits correctly (2.8).

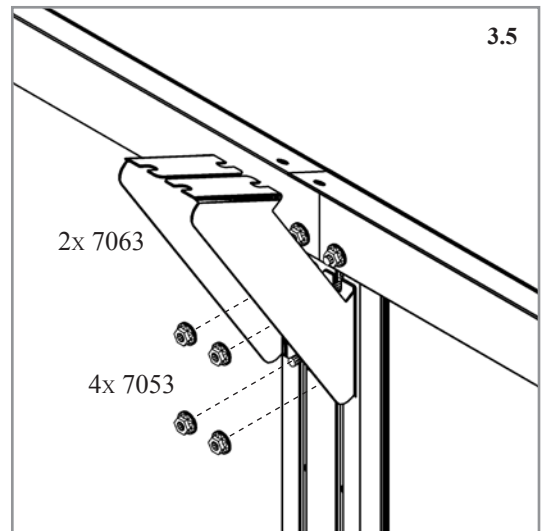
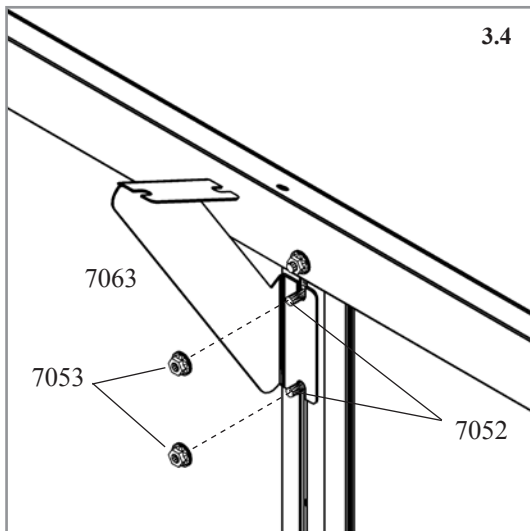
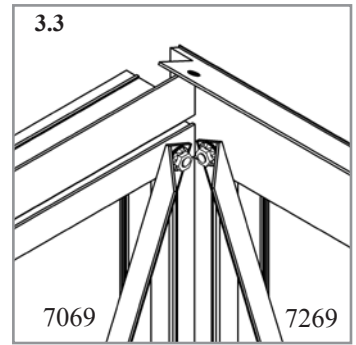
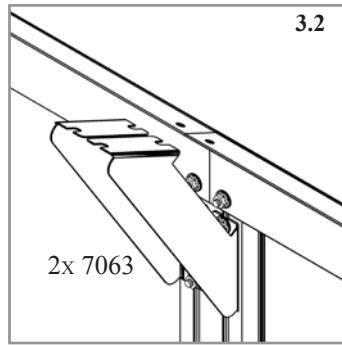
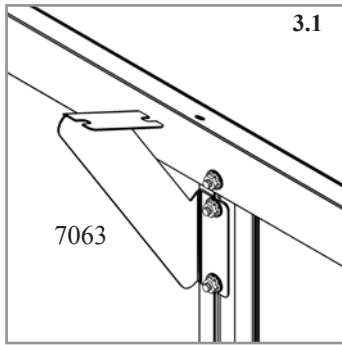
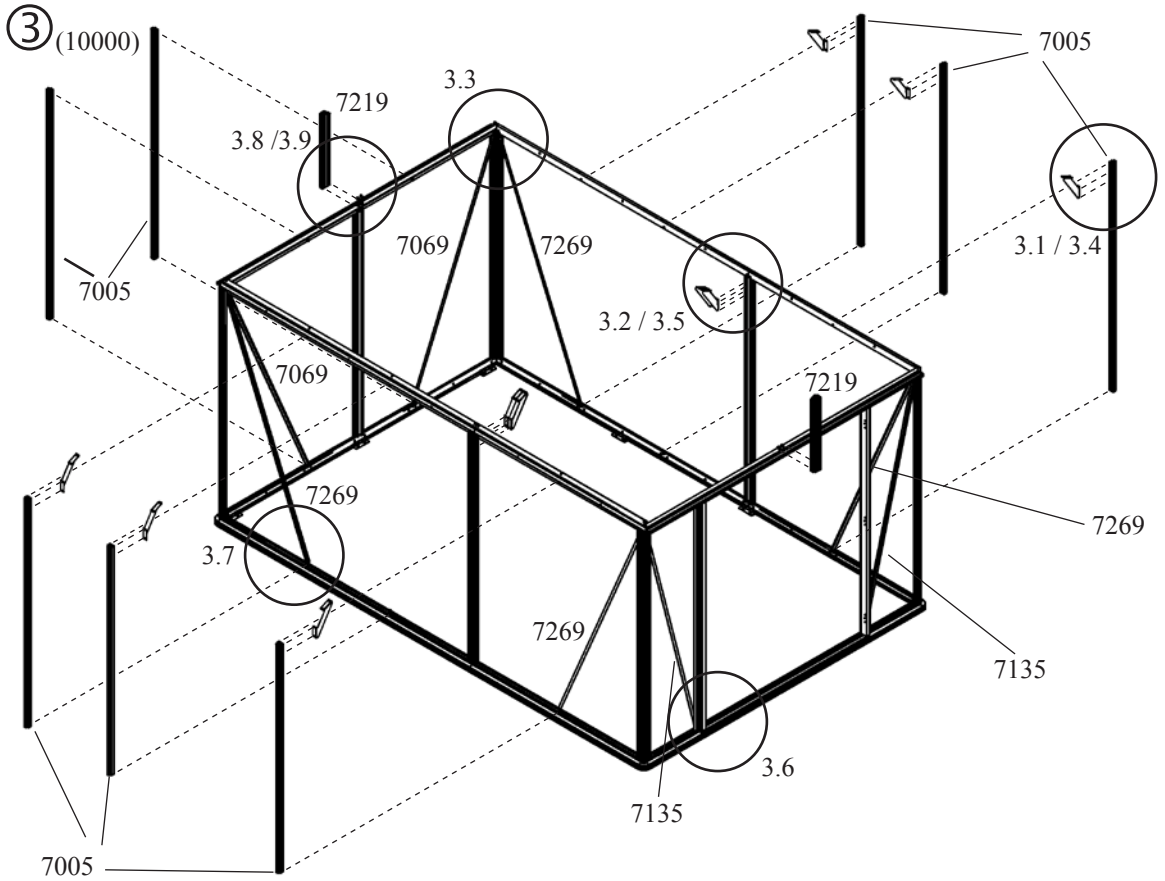
Assemble 7134 and 7138 between corner bars 7236 at the rear and front of the house using bolts 7052 and nuts 7053 (2.6) (2.7). Connect middle bars, 7006 at the rear and 7139 and 7140 at the front, by inserting bolts 7052 into the bolt channels and connect to the sill bars and 7134 / 7138 using nuts 7053 (2.2 - 2.5).



Middle Bars / Eave Angles

POSEIDON

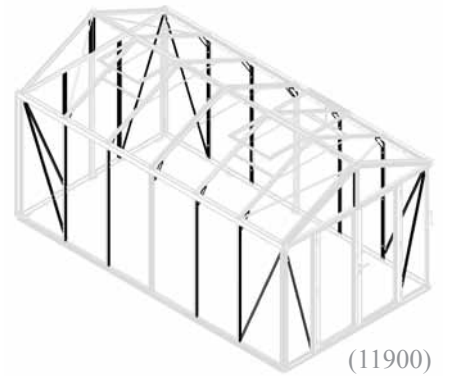
Model				
8100	10000	11900	13800	15700
7005				
6	8	10	12	14
7052				
28	36	44	52	60
7053				
28	36	44	52	60
7063				
8	10	12	14	16
7069				
2	2	2	2	2
7135				
2	2	2	2	2
7219				
2	2	2	2	2
7269				
4	4	4	4	4



MIDDLE BARS

PLEASE NOTE ...

In this assembly step the diagonal braces 7069, 7135 and 7269 will be assembled. To achieve this previous connections must be released. It can then appear as if the diagonal braces are too long or too short. If the house is then pulled in the required direction at the eave bar it will be possible to achieve the correct fit of all braces.

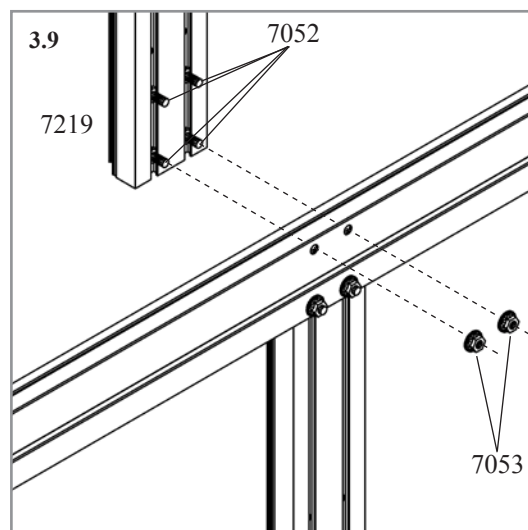
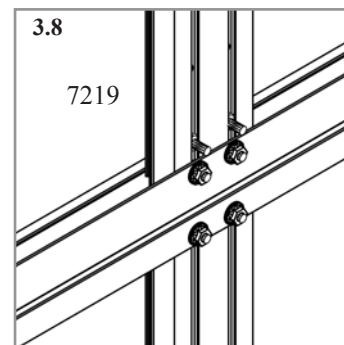
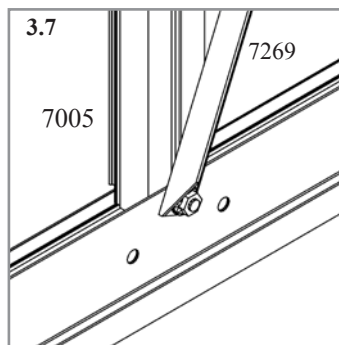
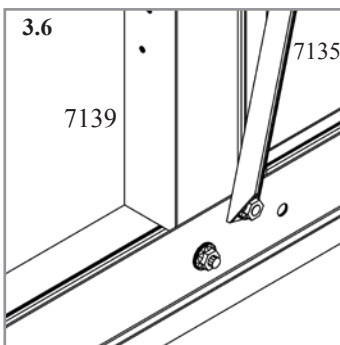


Please take the following quantity of middle bars 7005: Model 8100 - 4, Model 10000 - 6, Model 11900 - 8, Model 13800 - 10, Model 15700 - 12: and insert two extra bolts 7052 into the bolt channels of each fixing them loosely with nuts 7053. Assemble these prepared 7005 in the side walls as shown in diagram ③. Use the extra bolts included in the bolt channels of middle bars 7005 and 7006 to loosely assemble the braces 7063 (3.1, 3.2, 3.4, 3.5). The exact height of 7063 will be adjusted later when the roof is assembled.

At the rear of the house assemble the remaining middle bars 7005 as shown in ③.

Assemble diagonal braces 7069, 7135 and 7269 (3.3) (3.6) (3.7). If they appear to have the wrong length adjust the house in the diagonal until they fit.

Assemble the ridge support 7219 (3.8) (3.9) and include one extra bolt 7052 with nut 7053 in both of the bolt channels in 7219 (3.8) (4a.3).

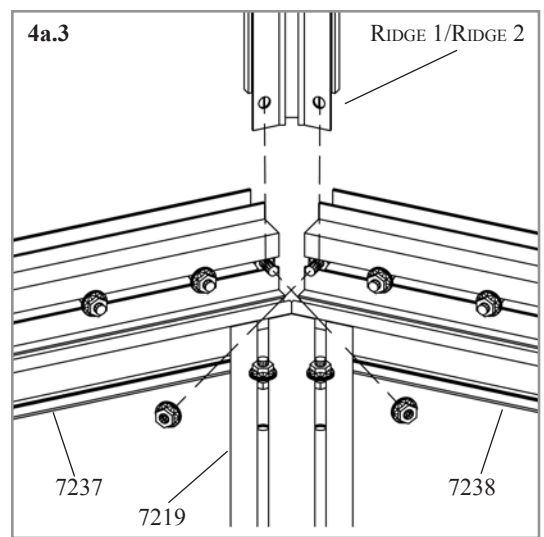
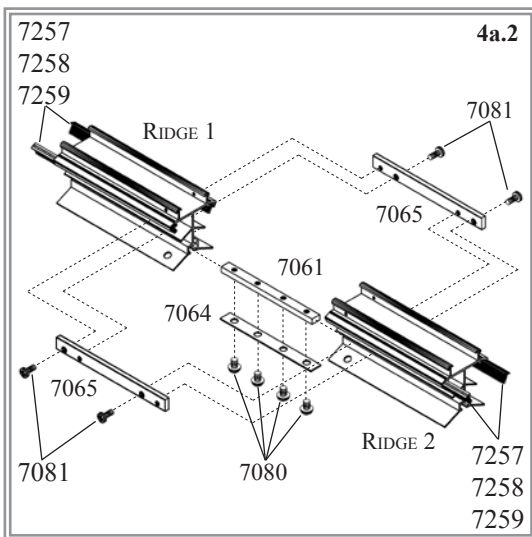
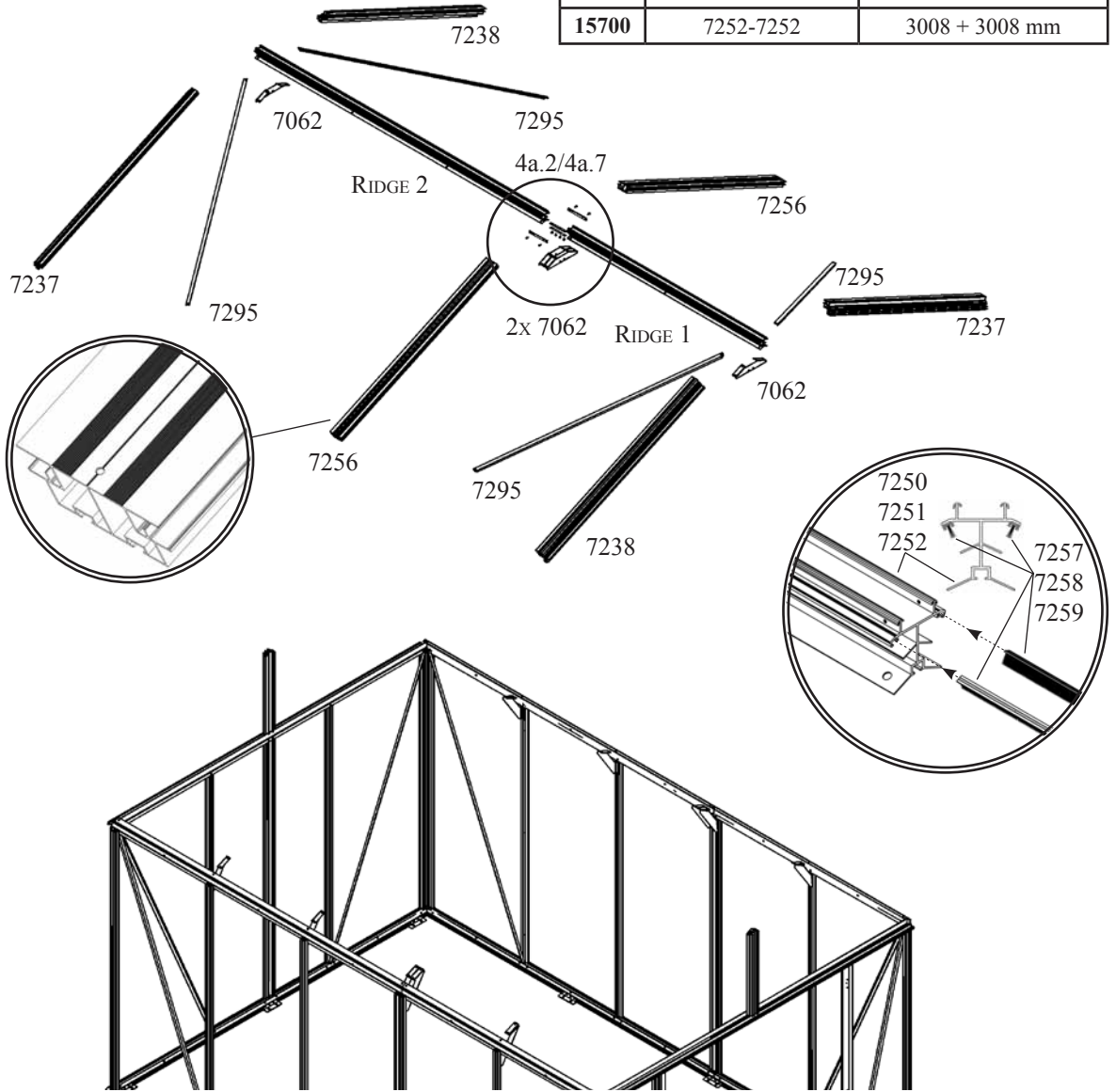


Middle Bars

4a

④ a (10000)

4a.1	RIDGE 1-RIDGE 2	LENGTH
8100	7250-7250	1520 + 1520 mm
10000	7250-7251	1520 + 2264 mm
11900	7251-7251	2264 + 2264 mm
13800	7251-7252	2264 + 3008 mm
15700	7252-7252	3008 + 3008 mm



Model				
8100	10000	11900	13800	15700
7052				
40	40	40	40	40
7053				
40	40	40	40	40
7061				
1	1	1	1	1
7062				
4	4	4	4	4
7064				
1	1	1	1	1
7065				
2	2	2	2	2
7080				
4	4	4	4	4
7081				
4	4	4	4	4
7237				
2	2	2	2	2
7238				
2	2	2	2	2
7250				
2	1	0	0	0
7251				
0	1	2	1	0
7252				
0	0	0	1	2
7256				
2	2	2	2	2
7257				
4	2	0	0	0
7258				
0	2	4	2	0
7259				
0	0	0	2	4
7295				
4	4	4	4	4

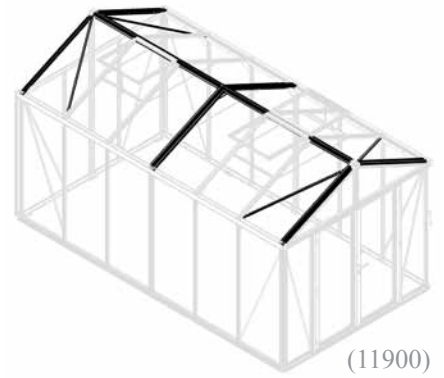
POSEIDON

GABEL / RIDGE BARS

PLEASE NOTE ...

This step will require 2 to 3 people to assemble. It is also advised to use two ladders.

Some nuts 7053 must be removed and reconnected to assemble new parts.



(11900)

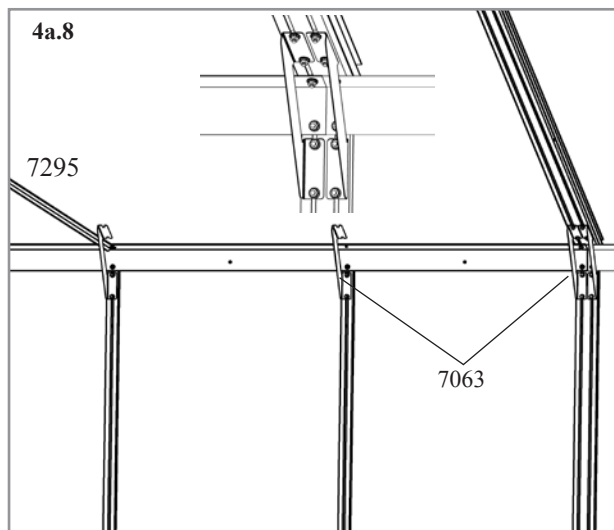
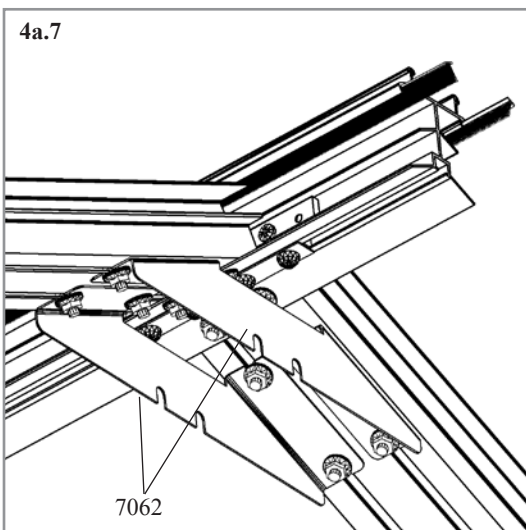
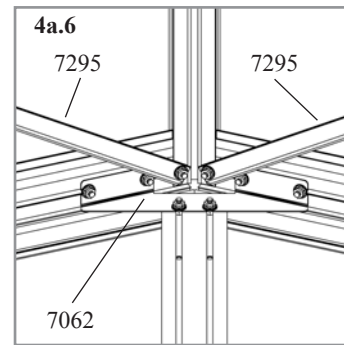
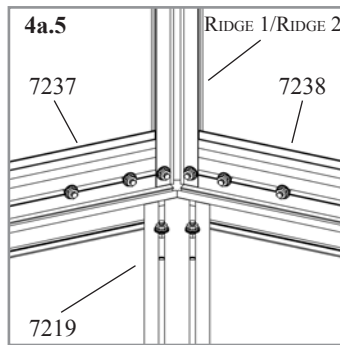
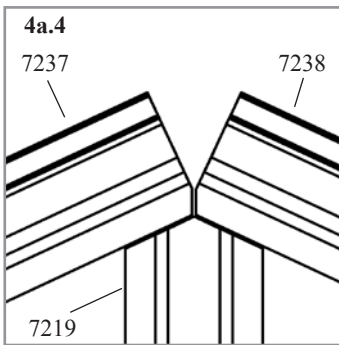
Begin by preparing the ridge bar using the ridge bar parts as listed in table 4a.1. Slide the plastic brush seals 7257, 7258 or 7259 as required into the channels on both sides of the ridge bars as shown. Connect both ridge bars using connection blocks 7061 / 7064 / 7080 and 7065 / 7081 (4a.2). Place the assembled ridge bar to the side.

Insert two extra bolts 7052 into the bolt channel in parts 7237 and 7238 and fix with nuts 7053 (4a.3). These are required to later assemble brace 7062.

Now rest 7237 and 7238 on ridge support 7219 (4a.3) (4a.4) and connect them to the eave angle using bolt 7052 and nut 7053.

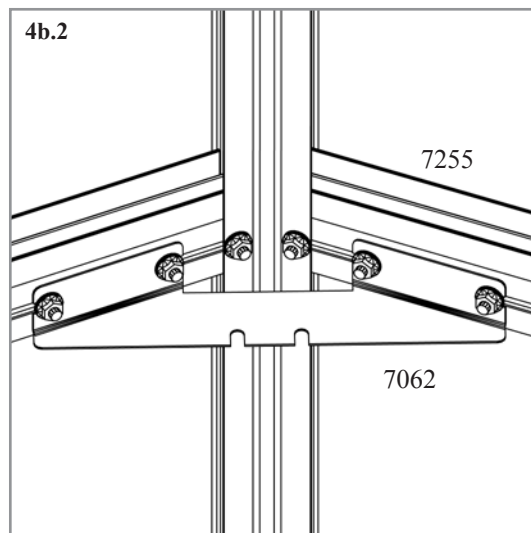
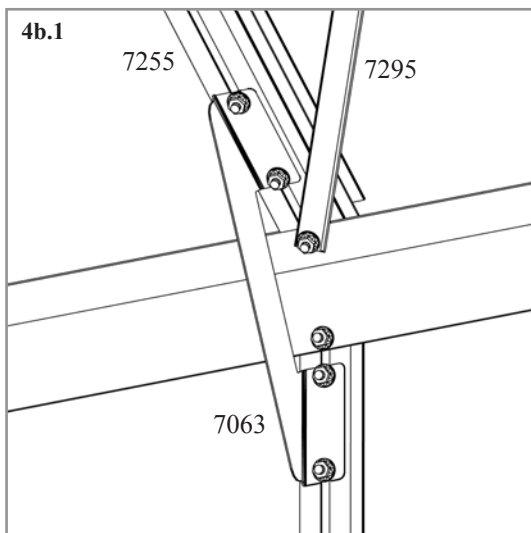
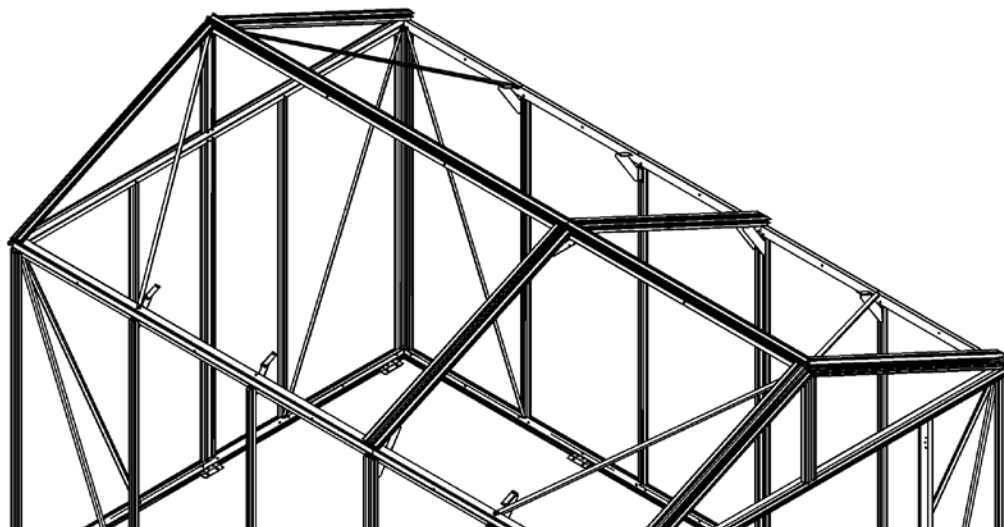
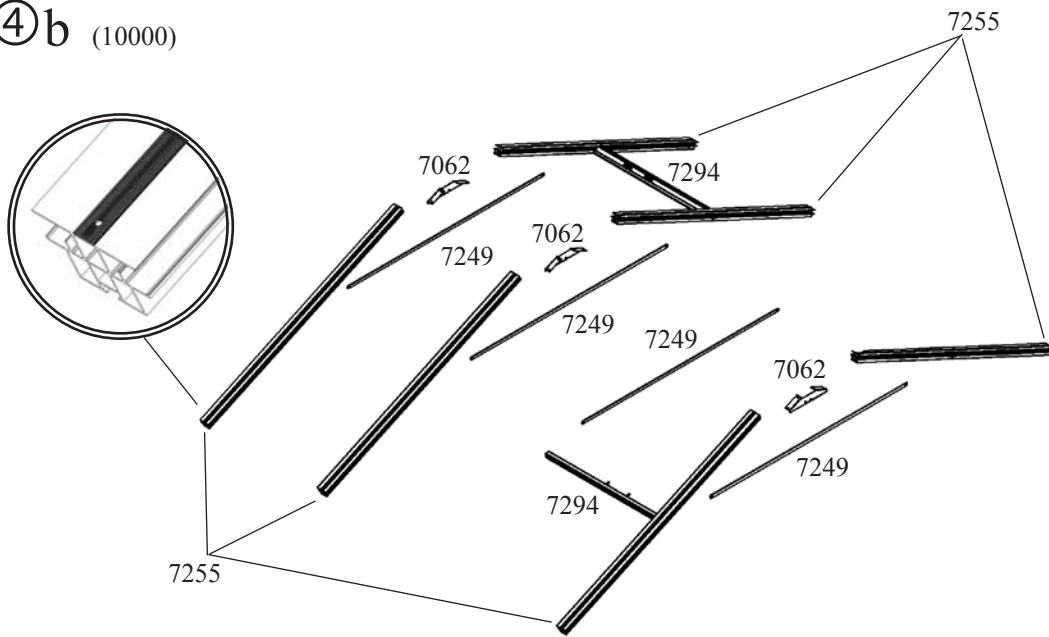
Connect the prepared ridge bar assembly with roof corner bars 7237 and 7238 (4a.5). Connect brace 7062 using the prepared nuts and bolts in 7219, 7237 and 7238 (4a.6). Now assemble diagonal brace 7295 between the ridge (4a.6) and the eave angle (4a.8).

Prepare four extra nuts 7053 and bolts 7052 in each bolt channel of roof middle bar 7256 and assemble 7256 between the ridge and eave angle ④a. (Ensure the small hole on the outside surface of 7256 is at the eave bar.) Finally connect braces 7062 at the ridge (4a.7) and the prepared braces 7063 at the eave (4a.8).



4b

④b (10000)

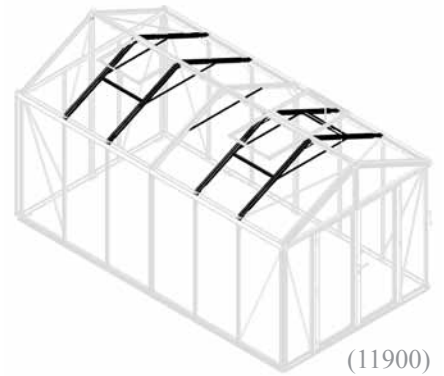


Model				
8100	10000	11900	13800	15700
1006				
8	8	12	12	12
6056				
4	4	6	6	6
7047				
2	4	4	6	8
7048				
0	1	2	2	2
7052				
24	36	48	60	72
7053				
24	36	48	60	72
7054				
4	4	6	6	6
7055				
4	4	6	6	6
7062				
2	3	4	5	6
7249				
3	4	5	6	7
7255				
4	6	8	10	12
7294				
2	2	3	3	3

ROOF MIDDLE BARS

PLEASE NOTE ...

This step will require 2 to 3 people to assemble. It is also advised to use two ladders.



Begin by preparing the roof middle bars 7255 with four extra bolts 7052 in the bolt channel in each. Fix them in place loosely with nuts 7053.

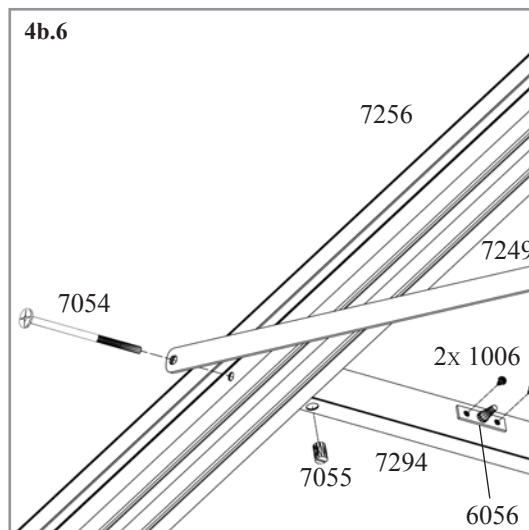
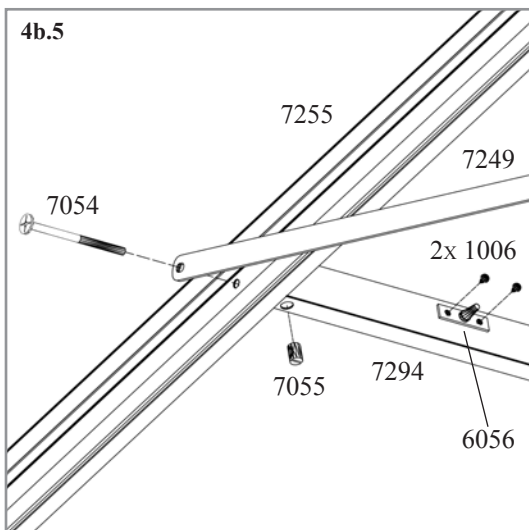
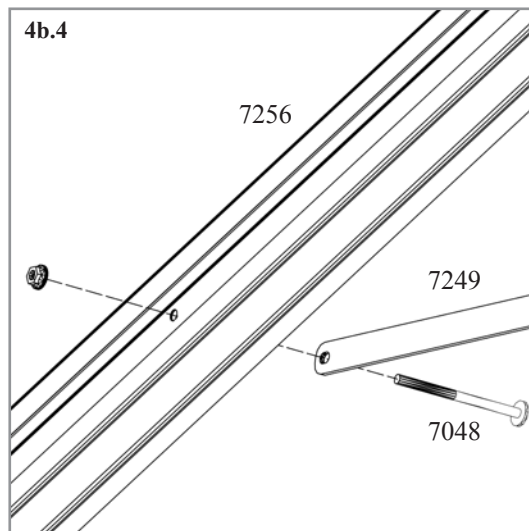
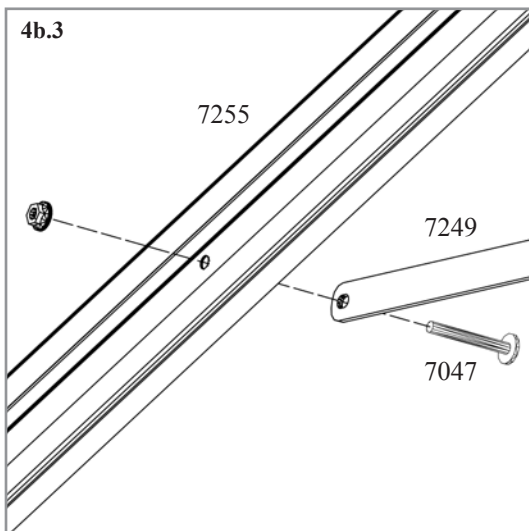
Assemble 7255 between the eave angle bar (4b.1) and ridge bar (4b.2), ④b. (Ensure the small hole on the outside surface of 7255 is at the eave bar.) Connect braces 7062 at the ridge (4b.2) and the prepared braces 7063 at the eave (4b.1).









Assemble the roof vent sill 7294 and roof braces 7249 in the desired sections where the roof vents will later be positioned (4b.5) (4b.6). (*Note: Roof vents must be positioned opposite to one another or with at least one complete section between them. They cannot be assembled in the corner roof sections.*)

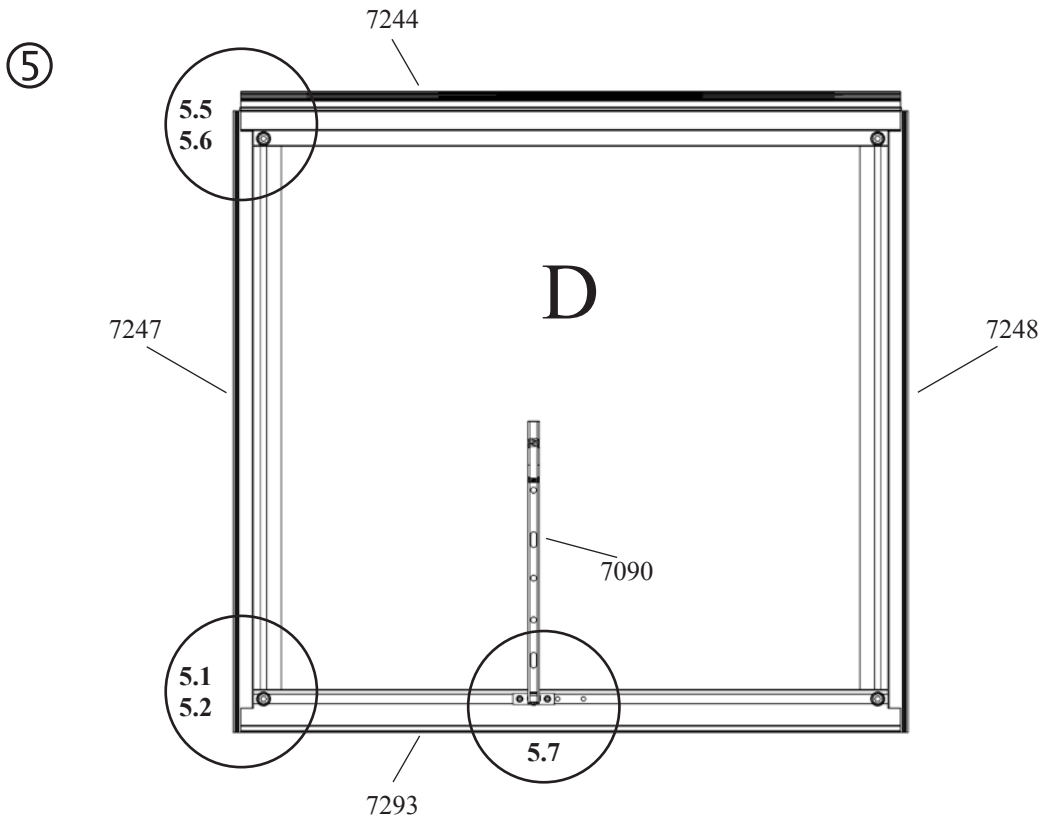
Connect the remaining roof braces 7249. (4b.3) (4b.4).

Assemble two roof vent fixers 6056 on each sill bar 7294 using screws 1006 (4b.5) (4b.6).

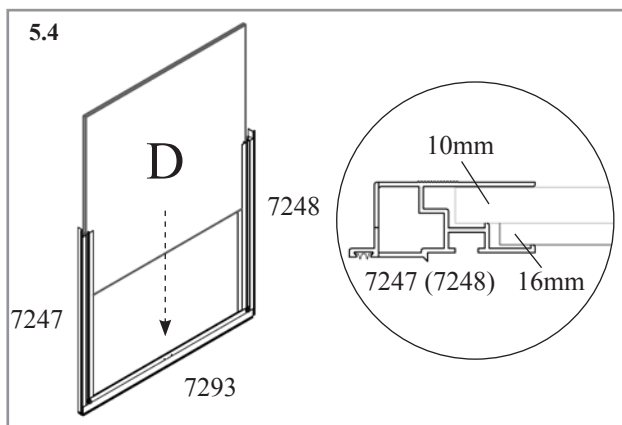
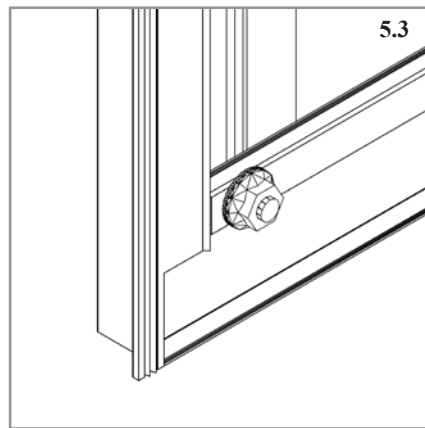
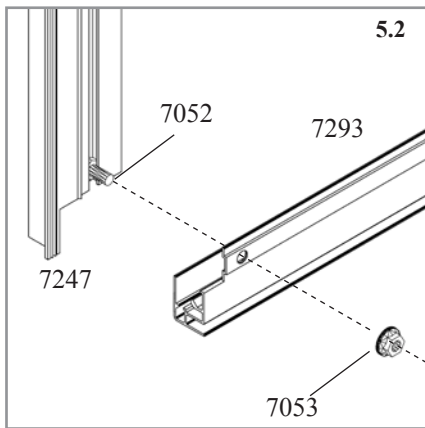
Roof Middle Bars



Model				
8100	10000	11900	13800	15700
2x	2x	3x	3x	3x
1006				
2x2	2x2	3x2	3x2	3x2
7052				
2x4	2x4	3x4	3x4	3x4
7053				
2x4	2x4	3x4	3x4	3x4
7090				
2x1	2x1	3x1	3x1	3x1
7244				
2x1	2x1	3x1	3x1	3x1
7247 (7291)				
2x1	2x1	3x1	3x1	3x1
7248 (7291)				
2x1	2x1	3x1	3x1	3x1
7293				
2x1	2x1	3x1	3x1	3x1



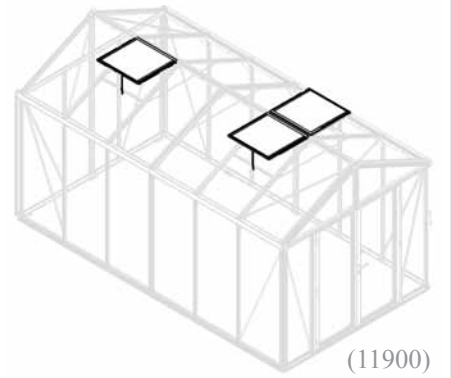
5.1	POLYCARBONATE				QUANTITY / MODEL				
	10 MM		16 MM		8100	10000	11900	13800	15700
	ART. NO.	MM	ART. NO.	MM					
D	3695744	670 x 660	3695745	645 x 637	2x1	2x1	3x1	3x1	3x1



ROOF VENTS

PLEASE NOTE ...

With the assembly of the roof vent the glazing must be inserted before the connection of hinge bar 7244.



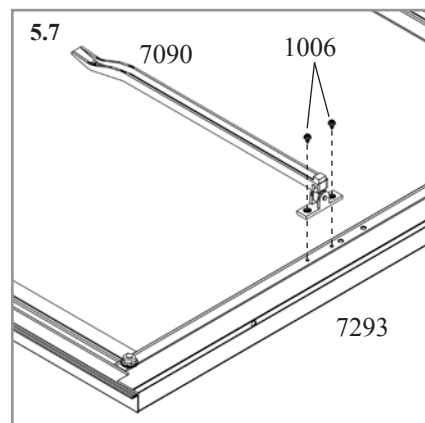
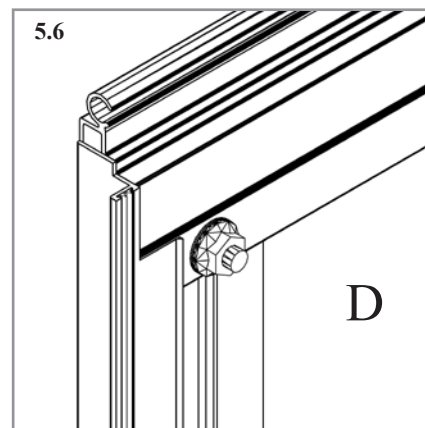
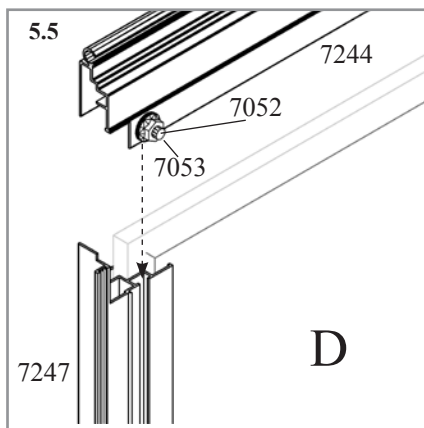
Connect roof vent bottom bar 7293 with side bars 7247 and 7248 using bolts 7052 and nuts 7053, as shown in ⑤ (5.2) (5.3).

Insert the appropriate glazing pane, see table 5.1, into the glazing channels in the assembled parts (5.4).

Prepare roof vent hinge bar 7244 by loosely inserting bolts 7052 and nuts 7053 at both ends (5.5). Insert the head of both 7052 into the bolt channels in 7247 and 7248 fitting the glazing into the glazing channels in 7244 (5.5) (5.6).

Check that the roof vent is right angular before tightening all bolts. **Please do not over tighten.**

Connect roof vent lifter 7090 to the roof vent bottom bar 7293 using two screws 1006 (5.7).

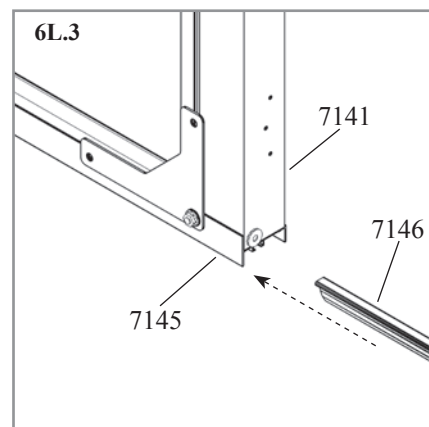
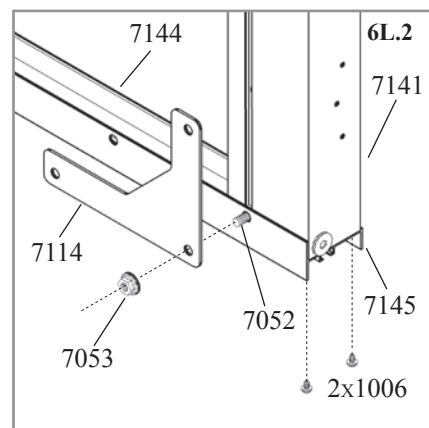
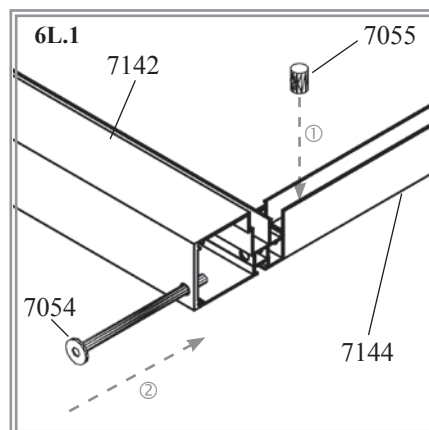
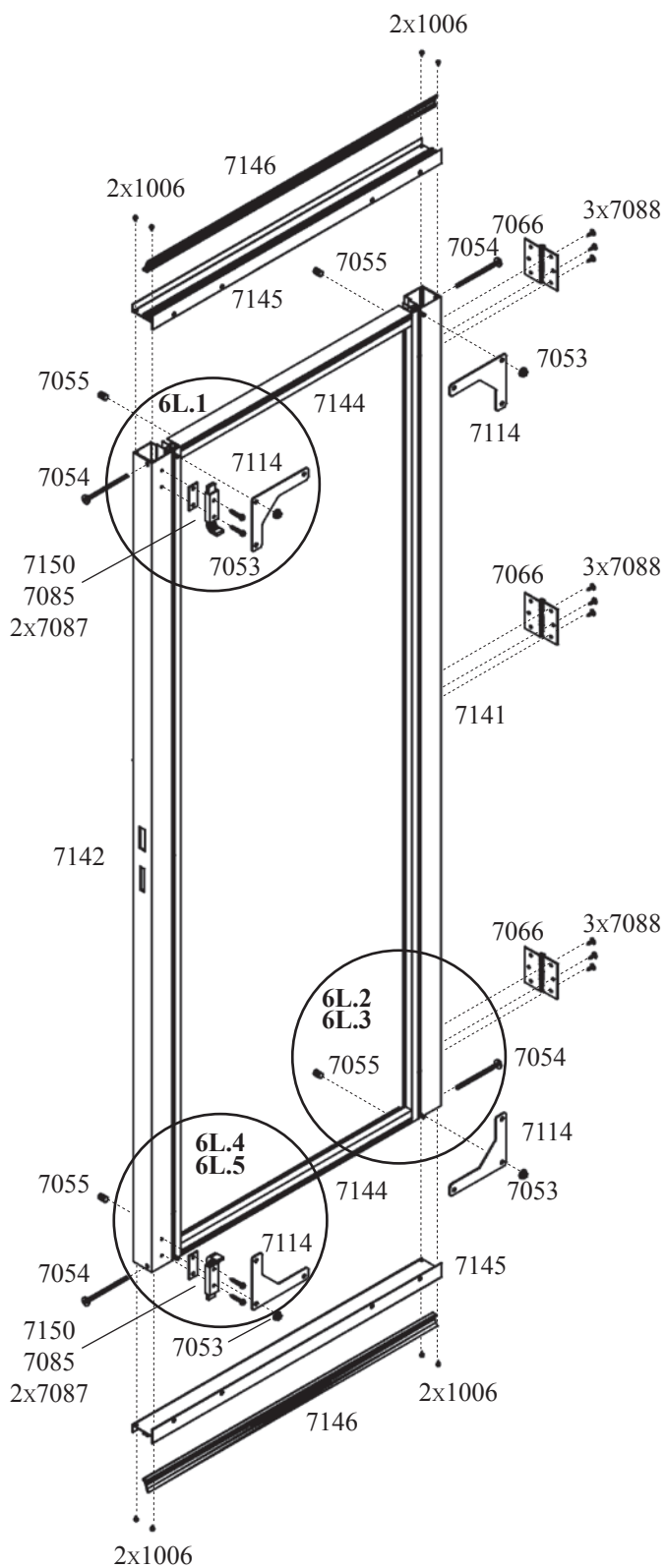


6L

All Models

1006 x8	
7052 x4	
7053 x4	
7054 x4	
7055 x4	
7066 x3	
7085 x2	
7087 x4	
7088 x9	
7114 x4	
7141 x1	
7142 x1	
7144 x2	
7145 x2	
7146 x2	
7150 x2	

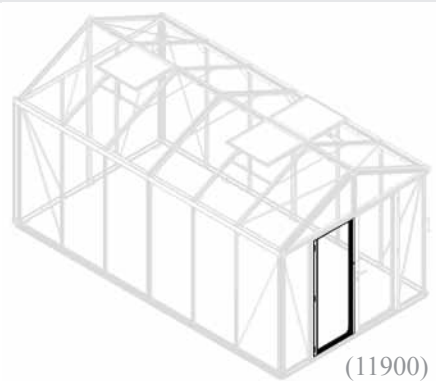
⑥L



DOOR (LEFT)

PLEASE NOTE ...

The glazing panes will be assembled in the doors in Section 7c.



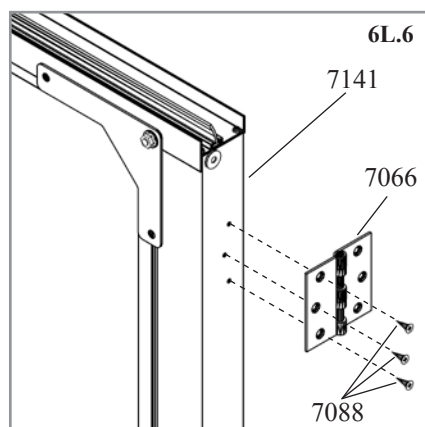
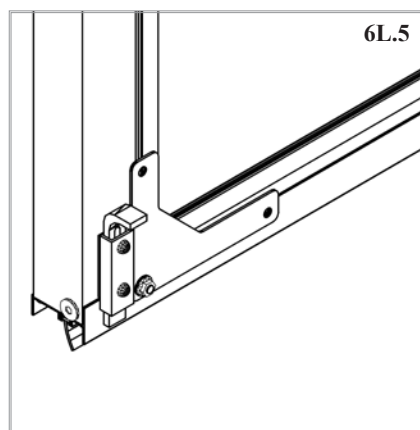
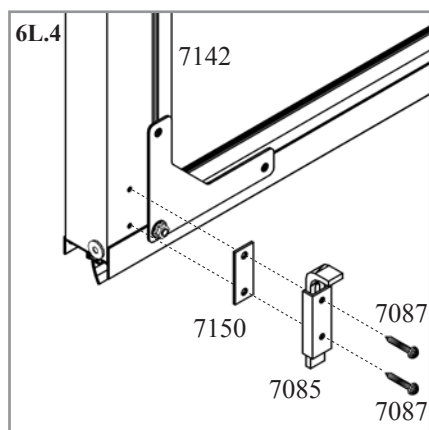
(11900)

Assemble the side bars 7141 and 7142 with the horizontal bars 7144 as shown in ©L. To connect the vertical bars to the horizontal bars insert cross dowels 7055 in the prepared holes in bars 7144 and pass bolts 7054 through the side bars (6L.1) (6L.2).

Include two extra bolts 7052 in the bolt channels of both door side bars 7141 and 7142 (6L.2). Connect covers 7145 using the prepared bolts, door braces 7114 and four screws 1006 (6L.2). Slide door seal 7146 into the channels in covers 7145 (6L.3).

Connect latches 7085 onto the prepared holes at both ends of side bar 7142 using spacers 7150 and screws 7087 (6L.4) (6L.5).

Connect door hinges 7066 to side bar 7141 using screws 7088 (6L.6).



Door (Left)

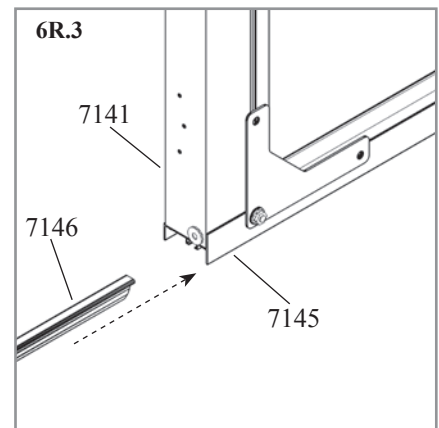
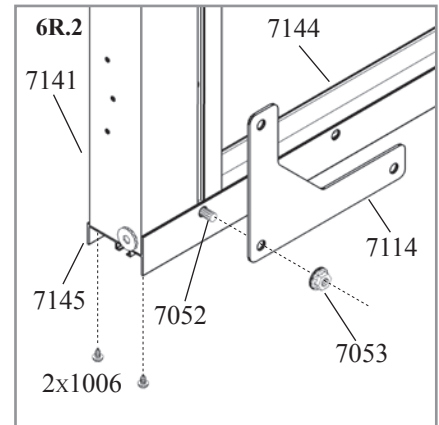
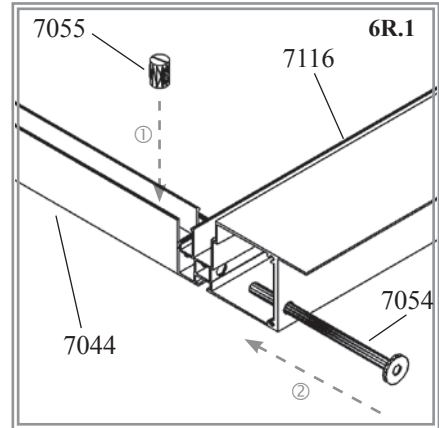
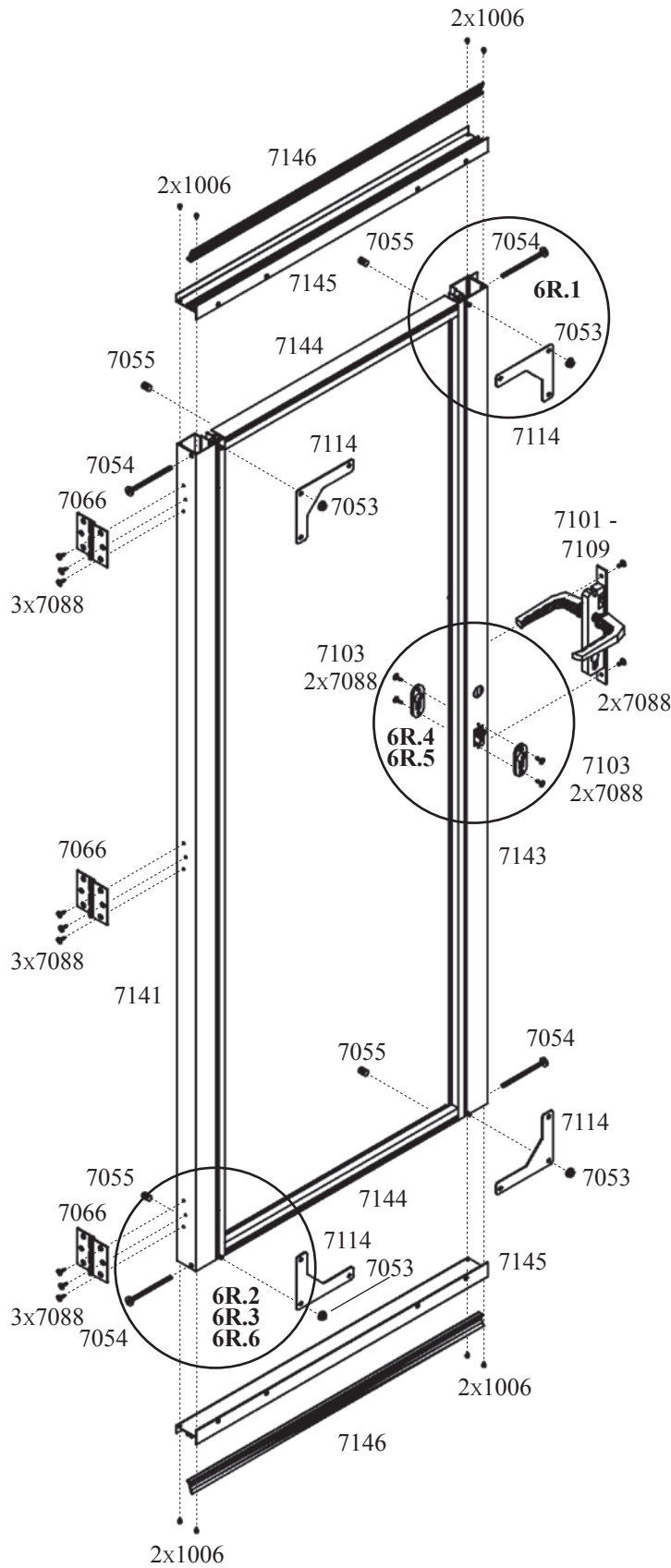
POSEIDON

6R

6R

All Models

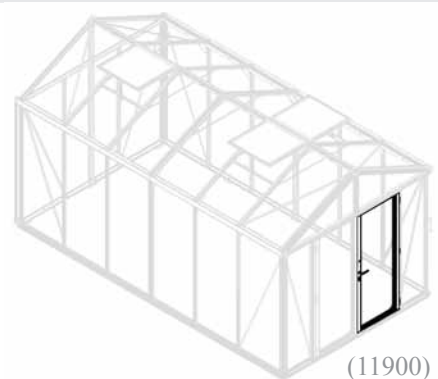
1006 x8	
7052 x4	
7053 x4	
7054 x4	
7055 x4	
7066 x3	
7088 x15	
7101 x1	
7102 x1	
7103 x2	
7104 x2	
7106 x2	
7107 x1	
7108 x2	
7109 x1	
7114 x4	
7141 x1	
7143 x1	
7144 x2	
7145 x2	
7146 x2	



DOOR (RIGHT)

PLEASE NOTE ...

The glazing panes will be assembled in the doors in Section 7c.



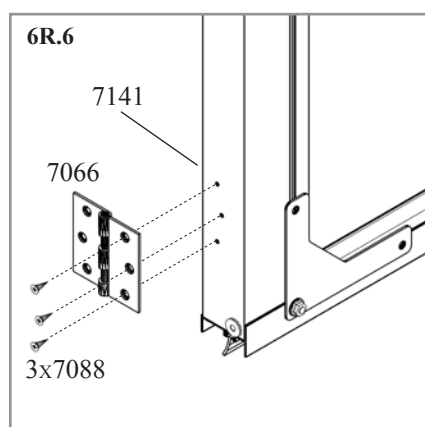
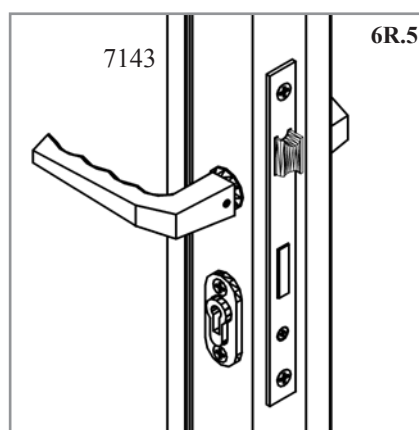
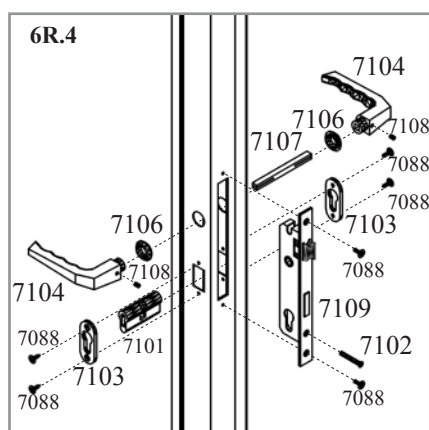
(11900)

Assemble the side bars 7141 and 7143 with the horizontal bars 7144 as shown in ©R. To connect the vertical bars to the horizontal bars insert cross dowels 7055 in the prepared holes in bars 7144 and pass bolts 7054 through the side bars (6R.1) (6R.2).

Include two extra bolts 7052 in the bolt channels of both door side bars 7141 and 7143 (6R.2). Connect covers 7145 using the prepared bolts, door braces 7114 and four screws 1006 (6R.2). Slide door seal 7146 into the channels in covers 7145 (6R.3).









Assemble the door lock 7101 to 7109 using screws 7088 (6R.4) (6R.5).









Connect door hinges 7066 to side bar 7141 using screws 7088 (6R.6).



Door (Right)

POSEIDON

7.1	POLYCARBONATE						QUANTITY / MODEL				
	6 MM (ROOF 10MM)		10 MM		16 MM		8100	10000	11900	13800	15700
	ART. No.	MM	ART. No.	MM	ART. No.	MM					
A 	3695711	725 x 1790	3695712	725 x 1790	3695713	725 x 1790	10	12	14	16	18
B 	3695726	725 x 1368	3695726	725 x 1368	3695727	710 x 1368	6	8	9	11	13
C 	3695736	725 x 699	3695736	725 x 699	3695737	710 x 691	2	2	3	3	3
D 	3695744	670 x 660	3695744	670 x 660	3695745	645 x 637	2	2	3	3	3
G 	3695771	1190x567/15	3695772	1190x567/15	3695773	1190x567/15	2	2	2	2	2
H 	3695781	1190x567/15	3695782	1190x567/15	3695783	1190x567/15	2	2	2	2	2
J 	3695791	435 x 1790	3695792	435 x 1790	3695793	435 x 1790	4	4	4	4	4
K 	3695794	586 x 1694	3695795	586 x 1694	3695796	586 x 1694	2	2	2	2	2
TOTAL							30	34	39	43	47

7.2	GLASS / POLYCARBONATE		QUANTITY / MODEL				
	4 MM / 10MM		8100	10000	11900	13800	15700
	ART. No.	MM					
A 	367801	725 x 1790	10	12	14	16	18
B 	3695726	725 x 1368 x 10	6	8	9	11	13
C 	3695736	725 x 699 x 10	2	2	3	3	3
D 	3695744	670 x 660 x 10	2	2	3	3	3
G 	367807	1190x567/15	2	2	2	2	2
H 	367808	1190x567/15	2	2	2	2	2
J 	367809	435 x 1790	4	4	4	4	4
K 	367810	586 x 1694	2	2	2	2	2
TOTAL			30	34	39	43	47

GLAZING PLAN

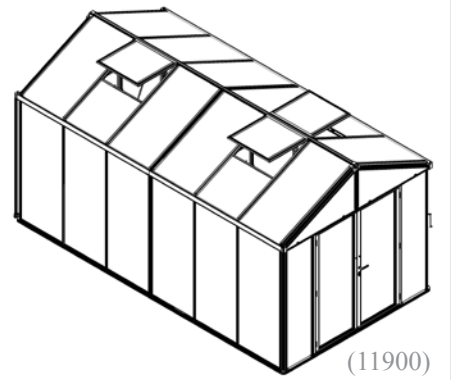
PLEASE NOTE ...

The following steps will require 2 to 3 people to assemble.

Always wear protective glasses, gloves, shoes and headgear when assembling the glazing.

Assemble the panes in the order 7a - 7b - 7c as shown.

The outside surface of the polycarbonate panes is identified by a plastic film and / or printing at the edge.



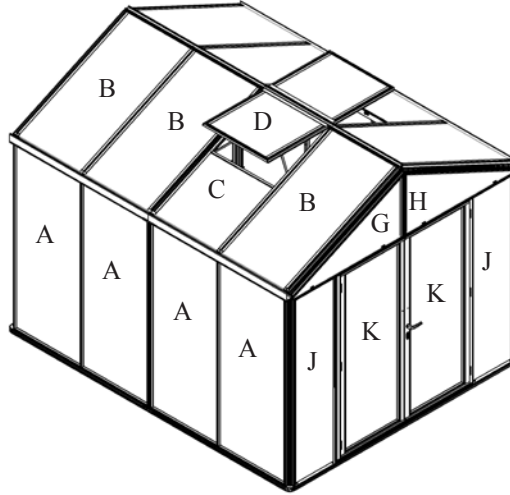
Please sort the glazing according to your model size and glazing type, tables 7.1 or 7.2, before beginning.



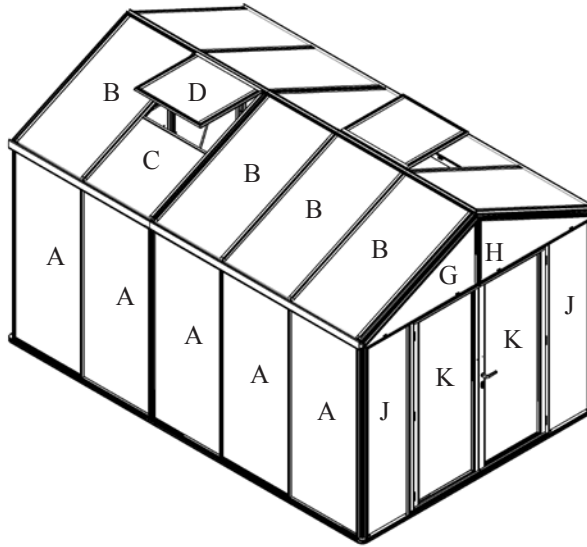
The UV-resistant side of the polycarbonate panes is indicated by a plastic film and / or printing at the edge. This side must face outside. Loosen the film approximately 2cm at all edges of each pane before assembly. When the assembly of all panes is finished completely remove all film from the panes.

Model				
8100	10000	11900	13800	15700
A			□	
10	12	14	16	18
B			□	
6	8	9	11	13
C			□	
2	2	3	3	3
G			△	
2	2	2	2	2
H			△	
2	2	2	2	2
J			□	
4	4	4	4	4
K			□	
2	2	2	2	2

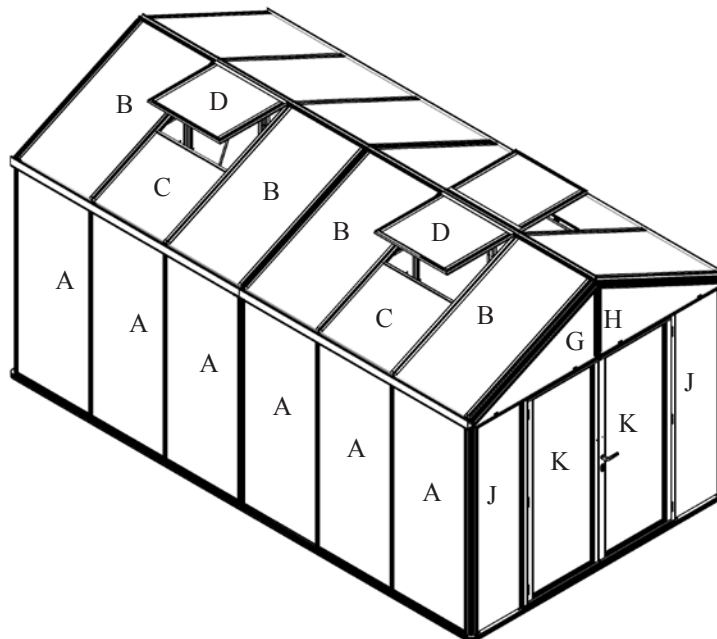
(8100)



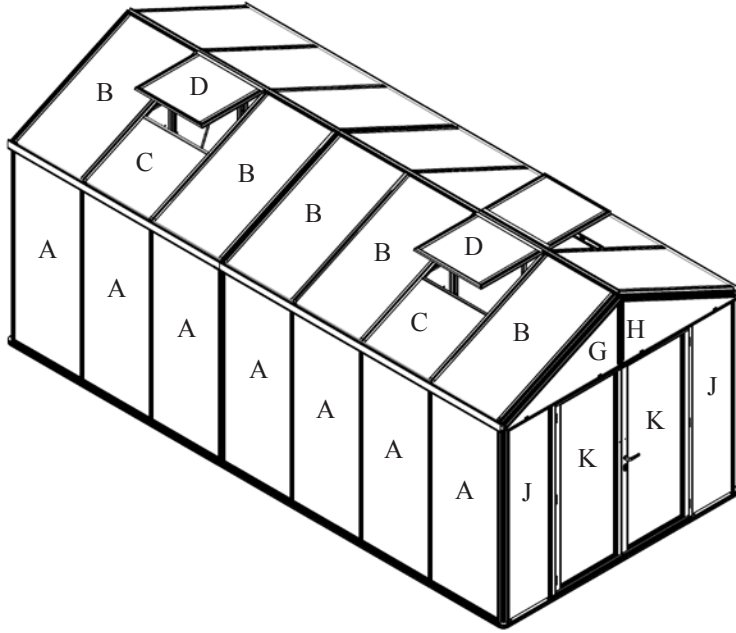
(10000)



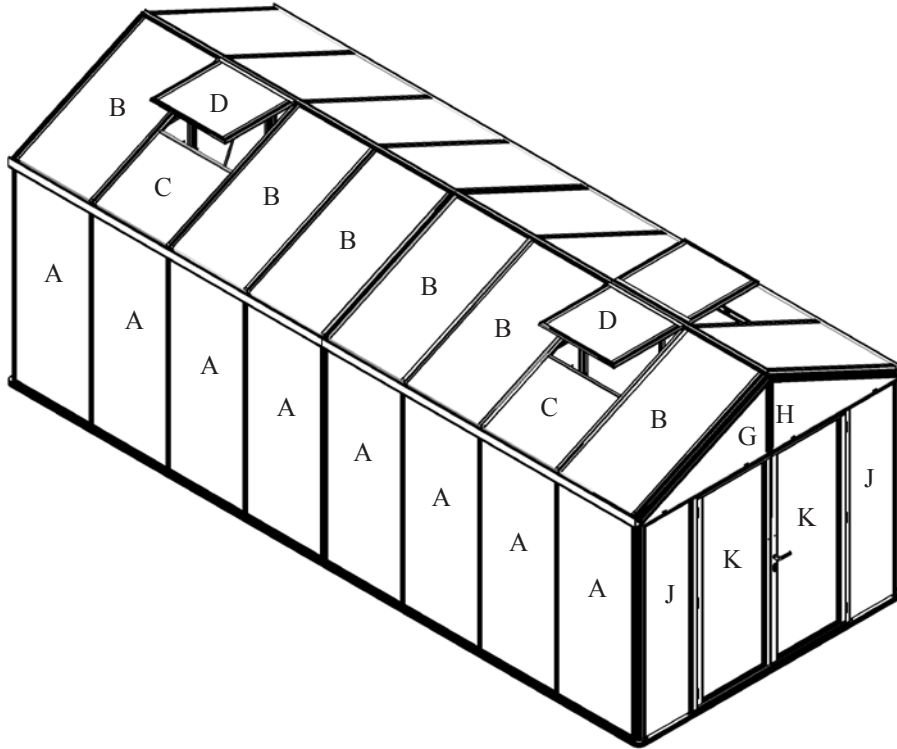
(11900)



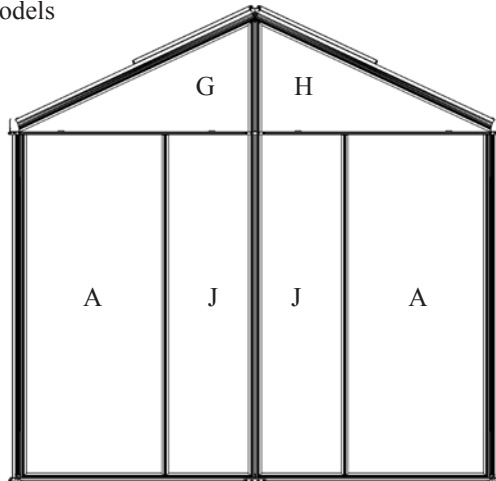
(13800)



(15700)



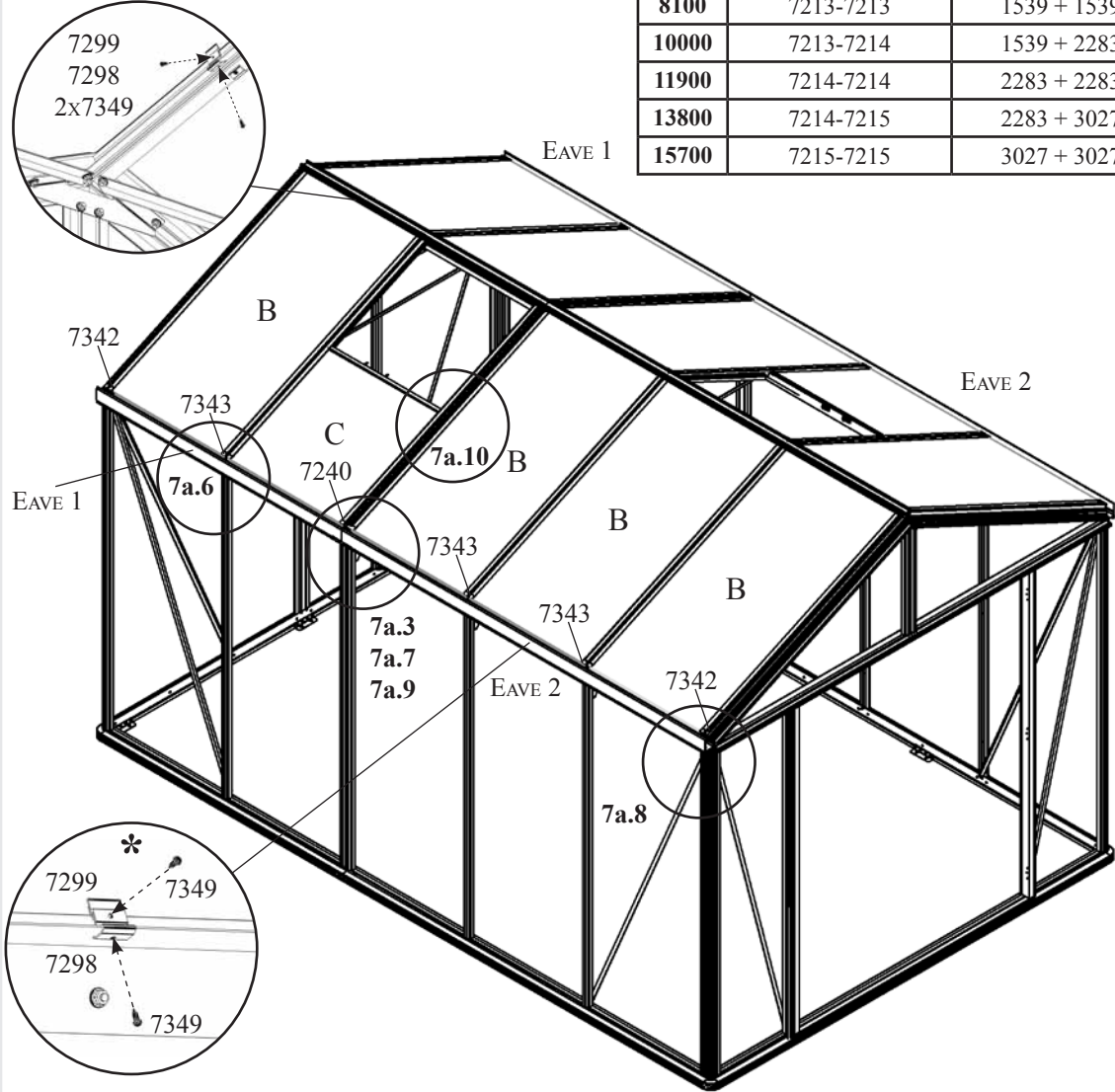
Back Gabel - all models



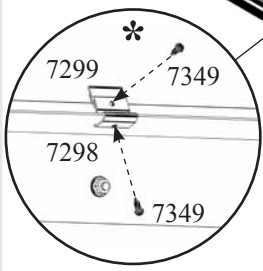
7a

Model				
8100	10000	11900	13800	15700
7052				
8	10	12	14	16
7053				
8	10	12	14	16
7061				
2	2	2	2	2
7064				
2	2	2	2	2
7080				
8	8	8	8	8
7213				
4	2	0	0	0
7214				
0	2	4	2	0
7215				
0	0	0	2	4
7240				
2	2	2	2	2
7292				
2	2	2	2	2
7296				
8	10	12	14	16
7297				
8	10	12	14	16
7298*				
14	18	21	25	29
7299*				
14	18	21	25	29
7342				
4	4	4	4	4
7343				
4	6	8	10	12
7349				
46	58	68	80	92

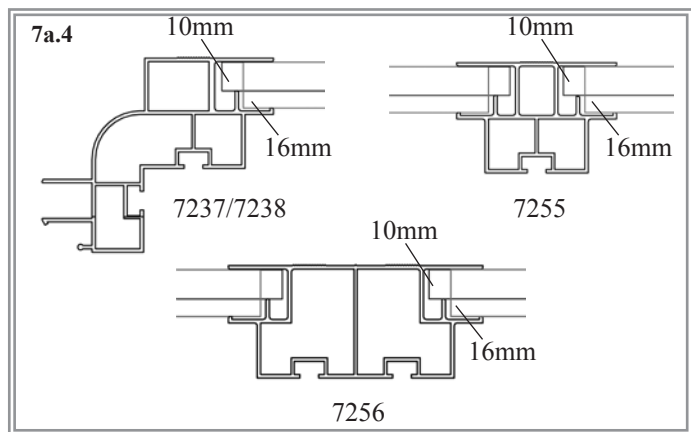
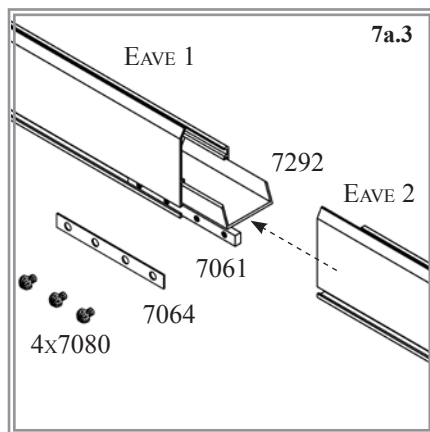
(10000)



7a.1	EAVE 1-EAVE 2	LENGTH
8100	7213-7213	1539 + 1539 mm
10000	7213-7214	1539 + 2283 mm
11900	7214-7214	2283 + 2283 mm
13800	7214-7215	2283 + 3027 mm
15700	7215-7215	3027 + 3027 mm



7a.2	POLYCARBONATE				QUANTITY / MODEL				
	10 MM		16 MM		8100	10000	11900	13800	15700
	ART. NO.	MM	ART. NO.	MM					
B	3695726	725 x 1368	3695727	710 x 1368	6	8	9	11	13
C	3695736	725 x 699	3695737	710 x 691	2	2	3	3	3



POSEIDON

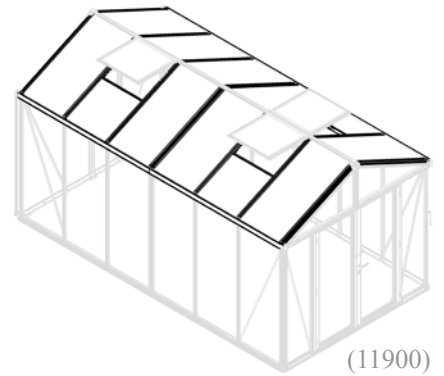
GLAZING ROOF / EAVE

PLEASE NOTE ...

This step will require 2 to 3 people to assemble.

Always wear protective glasses, gloves, shoes and headgear when assembling the glazing.

The outside surface of the polycarbonate panes is identified by a plastic film and / or printing at the edge.



(11900)

Assemble the eave bars according to table 7a.1. Connect them by sliding connecting block 7061 into the channels in the eave bars and fix them in place using plates 7064 and screws 7080. Ensure join plastic 7292 is centered at the join (7a.3).

Slide the roof glazing into the guides in the roof profiles (7a.4). When two adjacent panes are in place, screw glazing stops 7240, 7342 or 7343 onto the roof profile between them using the prepared holes and self drilling screws 7349 (7a.6). The panes should slide down to rest against these stops.

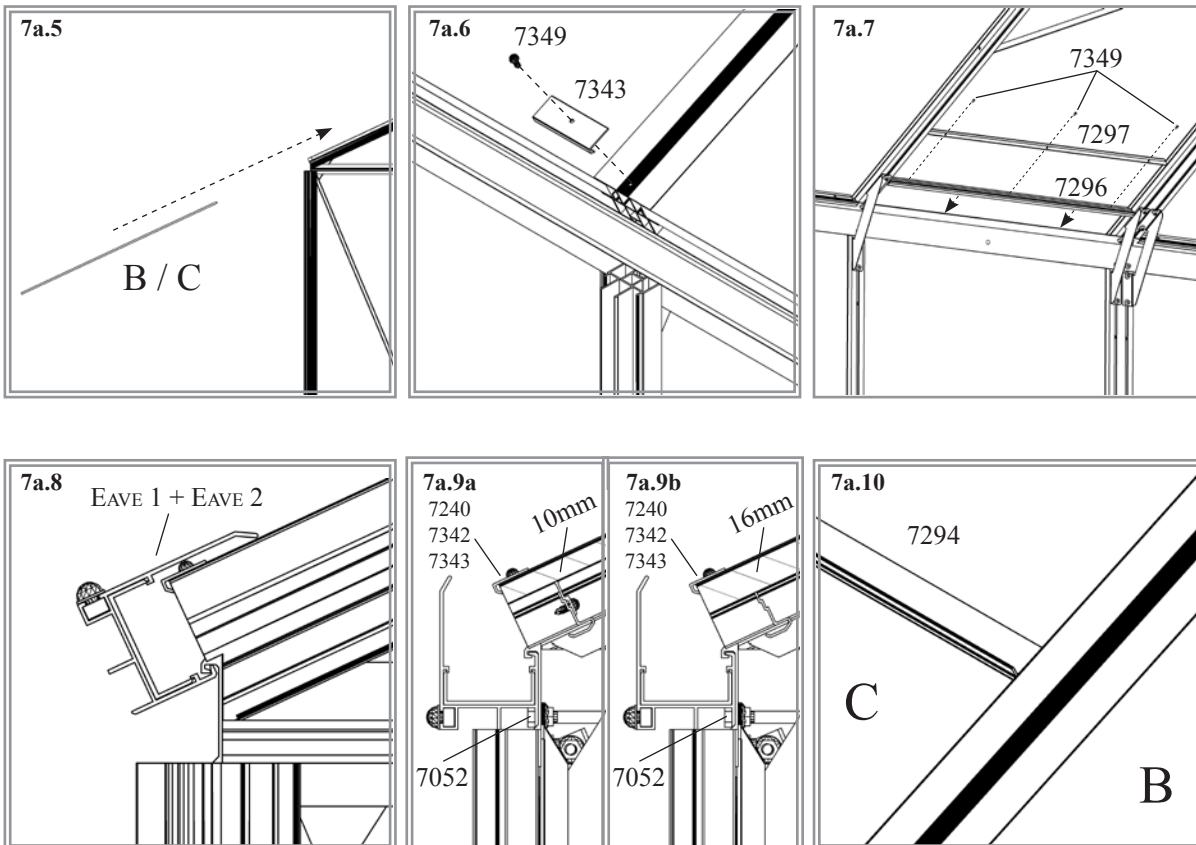
Insert glazing spacers 7296 over the inside edge of the eave angle (7a.7). If you have 10mm glazing then position spacer 7297 into the groove in 7296, resting against the pane. Fix in place using the prepared holes and screws 7349 (7a.7) (7a.9a). 16mm glazing does not require spacer 7297 (7a.9b).

In the roof vent sections slide glazing pane C into the guides in profile 7294 (7a.10).

Either angle the eave bar assembly into the eave angle (7a.8) and turn it down to rest against the eave angle, or slide it in from both ends and join. Connect it to the eave angle using bolts 7052 from outside and nuts 7053 inside the house (7a.9).

** The formation of condensation is unavoidable in a greenhouse with polycarbonate plates, however it may be reduced by exchanging the parts (7296 / 7297) with (7298 / 7299). This will allow increased ventilation inside and thereby reduce the condensation. Please fix (7298 / 7299) in the middle of each field at the eave using screws (7349).*

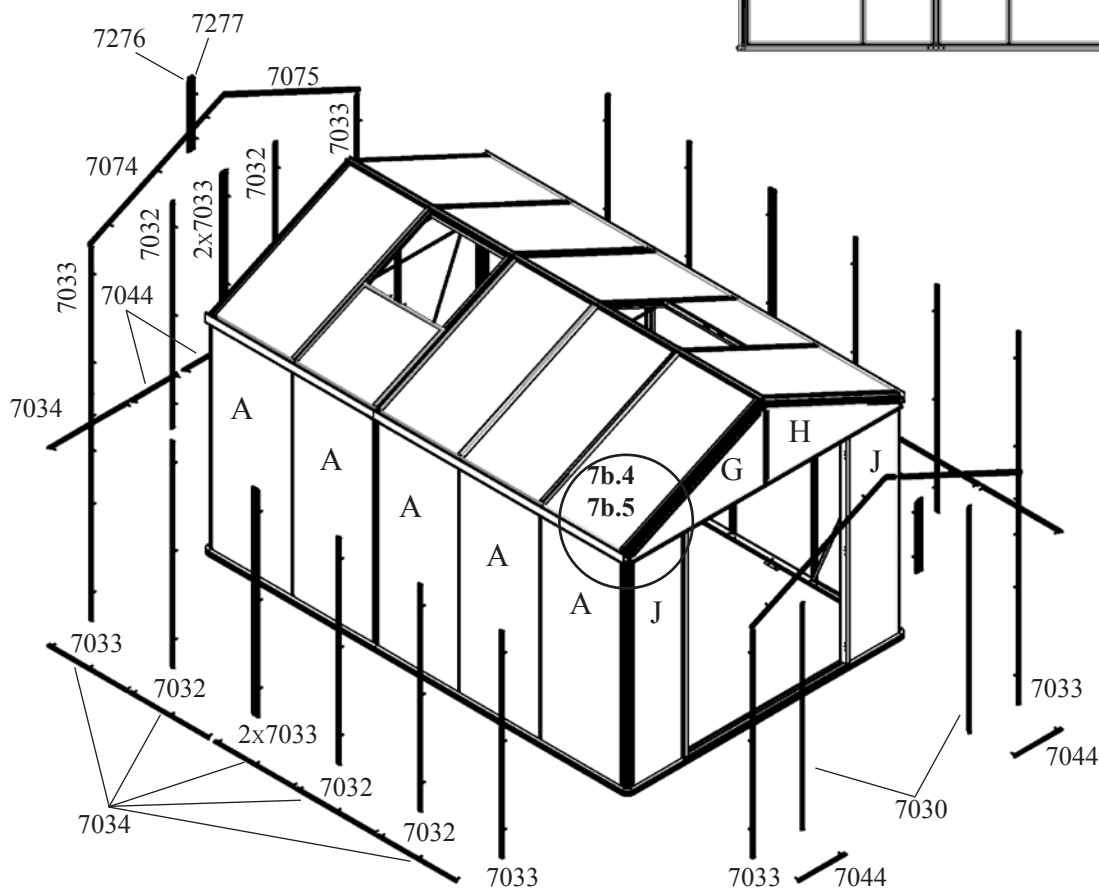
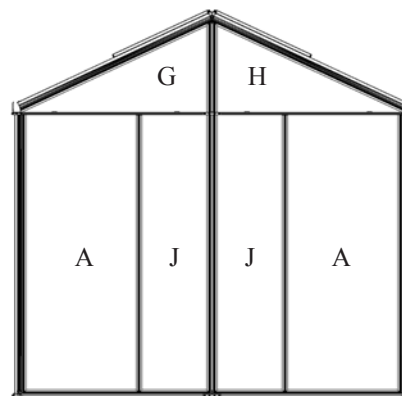
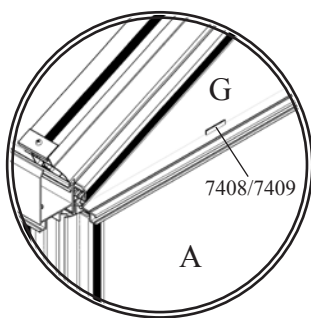
Glazing Roof / Eave



POSEIDON

7b

(10000)



Model				
8100	10000	11900	13800	15700
6090				
1	1	1	1	1
7030				
2	2	2	2	2
7032				
6	8	10	12	14
7033				
14	14	14	14	14
7034				
10	12	14	16	18
7044				
4	4	4	4	4
7050				
124	136	148	160	172
7053				
124	136	148	160	172
7074				
2	2	2	2	2
7075				
2	2	2	2	2
7276				
2	2	2	2	2
7277				
2	2	2	2	2
7406				
14	16	18	20	22
7407				
14	16	18	20	22
7408				
8	8	8	8	8
7409				
8	8	8	8	8

7b.1	GLASS	POLYCARBONATE				MM	QUANTITY / MODEL				
		4 MM	6 MM	10 MM	16 MM		8100	10000	11900	13800	15700
		ART. No.	ART. No.	ART. No.	ART. No.						
A		367801	3695711	3695712	3695713	725 x 1790	10	12	14	16	18
G		367807	3695771	3695772	3695773	1190x567/15	2	2	2	2	2
H		367808	3695781	3695782	3695783	1190x567/15	2	2	2	2	2
J		367809	3695791	3695792	3695793	435 x 1790	4	4	4	4	4

GLAZING SIDE

PLEASE NOTE ...

This step will require 2 to 3 people to assemble.

Always wear protective glasses, gloves, shoes and headgear when assembling the glazing.

The outside surface of the polycarbonate panes is identified by a plastic film and / or printing at the edge.

For 4mm glass the glazing rubber 6090 is required. With Polycarbonate the glazing rubber is not required.

Spacers 7406-7409 are not required with glass or 16mm glazing.

If glazing with 4mm glass, press glazing rubber 6090 onto the aluminium profiles (7b.2) and cut to length.

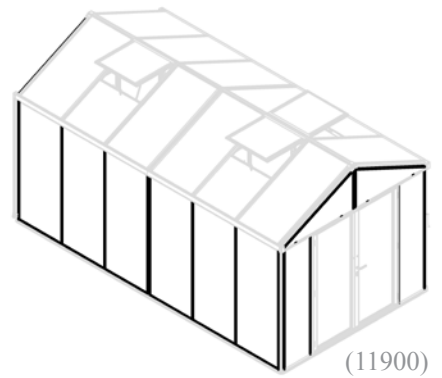
Through the positioning of the 7050 bolt head in the different guides in the glazing cappings, it is possible to glaze the greenhouse with 4mm, 6mm, 10mm or 16mm panes (7b.2).

Prepare 3 bolts 7050 in each glazing capping as shown (7b.3). Cappings 7044 require only 2 bolts 7050.

Prepare 1 spacer, (6mm 7406 / 10mm 7407), in the middle / top of pane A or J (7b.4). Position each glazing pane A or J into the frame and connect the vertical cappings loosely with nuts 7053. Lift the pane 15mm and connect cappings 7034 or 7044 loosely under the pane.

Prepare 2 spacers, (6mm 7408 / 10mm 7409), onto 7134 and 7138 (7b.5). Position panes G and H onto the spacers and connect cappings 7074, 7075, 7276 and 7277 loosely.

Check that the greenhouse is completely right angular before tightening all bolts. **Please do not over tighten.**

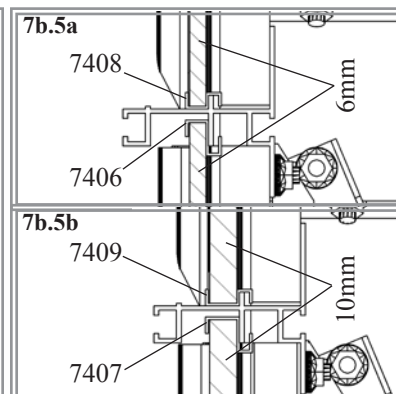
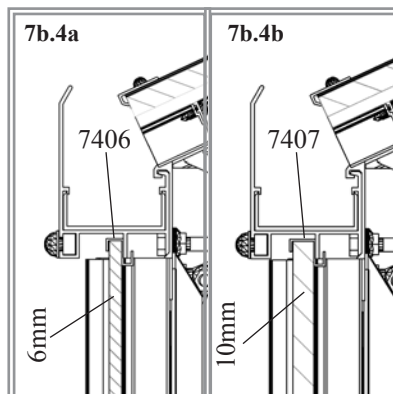
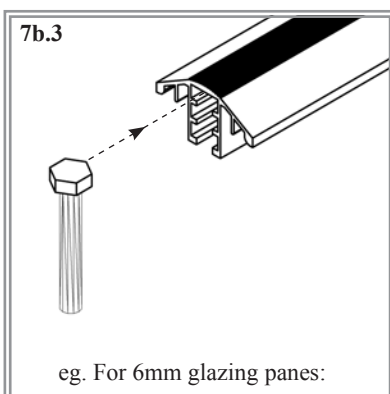
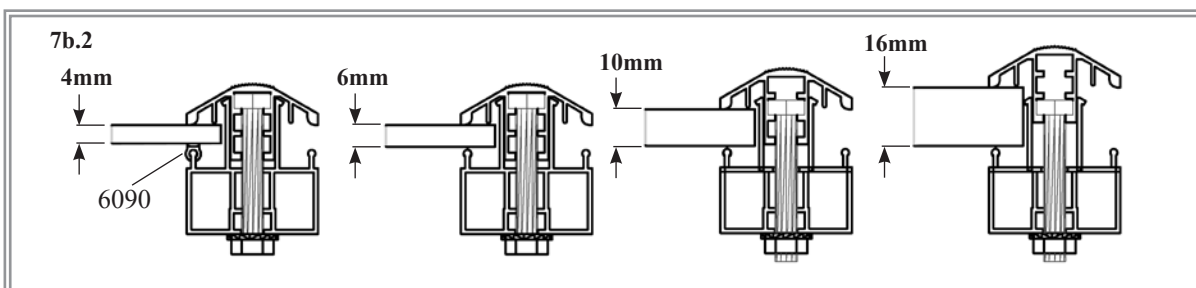


(11900)

Glazing Side



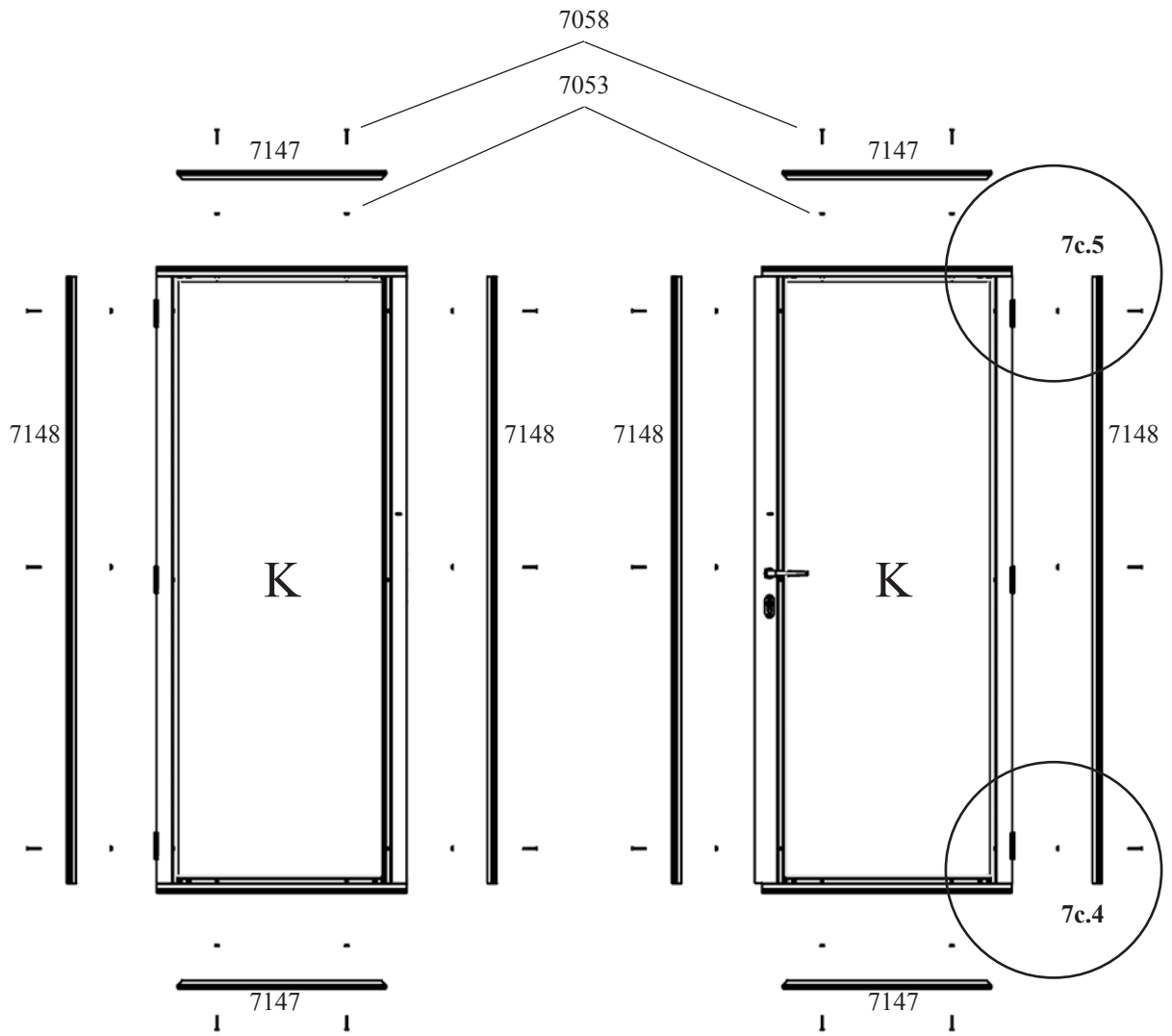
The vertical cappings can be best assembled when the bottom bolt is first inserted into the hole, then the middle and finally the top bolt. Ensure that the capping remains in contact with the sill bar.



POSEIDON

7c

All Models	
6090 x1	
7147 x4	
7148 x4	
7053 x20	
7058 x20	
K x2	



7c.1	GLASS	POLYCARBONATE				QUANTITY / MODEL				
	4 MM	6 MM	10 MM	16 MM	MM	8100	10000	11900	13800	15700
	ART. No.	ART. No.	ART. No.	ART. No.		8100	10000	11900	13800	15700
K	367810	3695794	3695795	3695796	586 x 1694	2	2	2	2	2

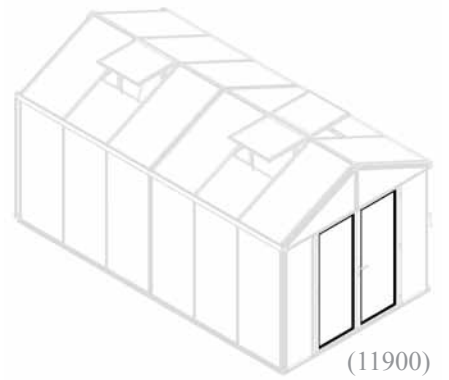
GLAZING DOORS

PLEASE NOTE ...

Always wear protective glasses, gloves, shoes and headgear when assembling the glazing.

The outside surface of the polycarbonate panes is identified by a plastic film and / or printing at the edge.

For 4mm glass the glazing rubber 6090 is required. With Polycarbonate the glazing rubber is not required.



If glazing with 4mm glass, press glazing rubber 6090 onto the aluminium profiles (7c.2) and cut to length.

Through the positioning of the 7058 bolt head in the different guides in the glazing cappings, it is possible to glaze the doors with 4mm, 6mm, 10mm or 16mm panes (7c.2).

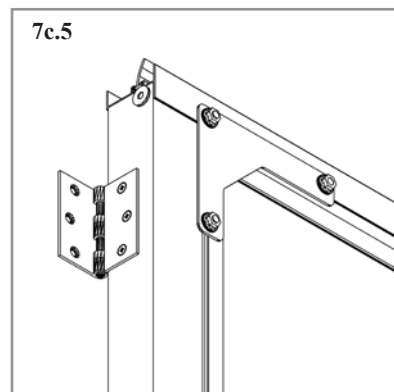
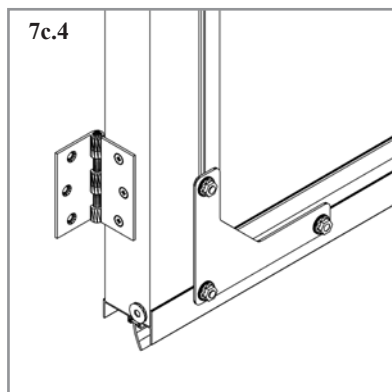
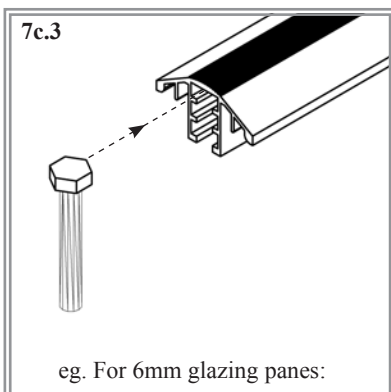
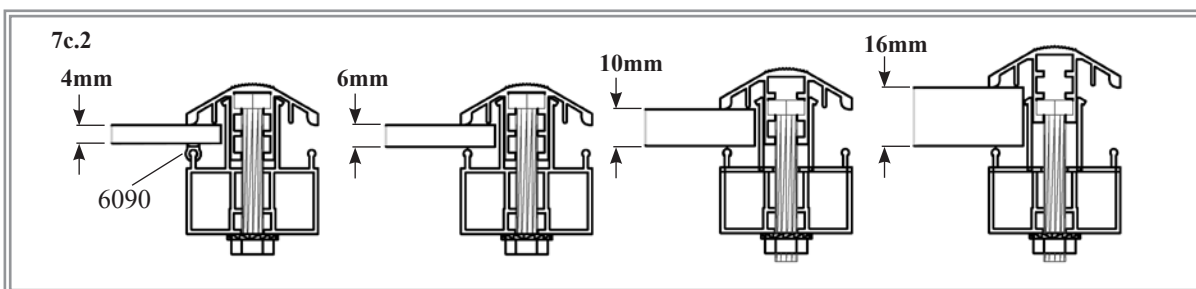
Prepare the bolts 7058 in the glazing cappings as shown (7c.3).

Lay the glazing panes into the aluminium frame.

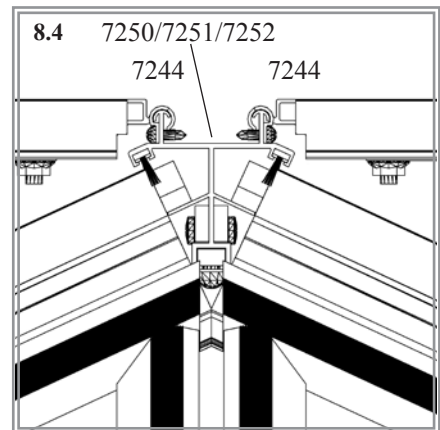
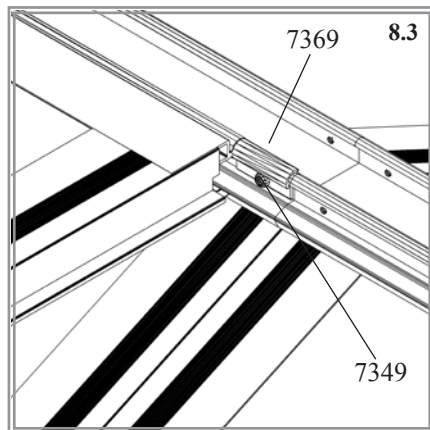
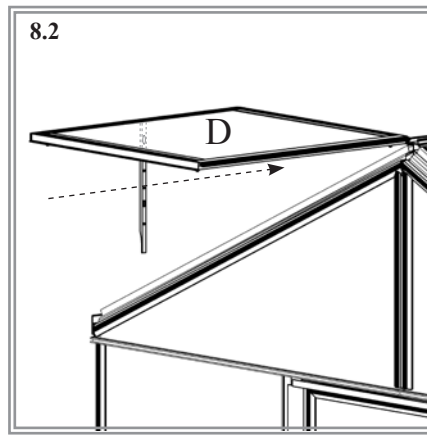
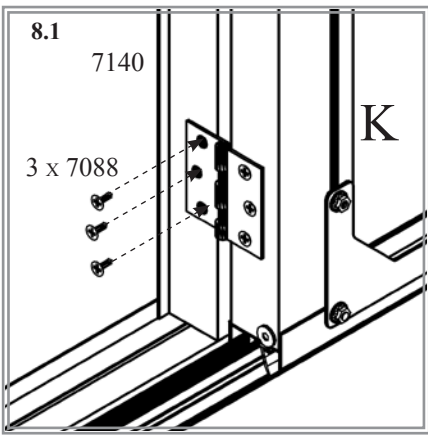
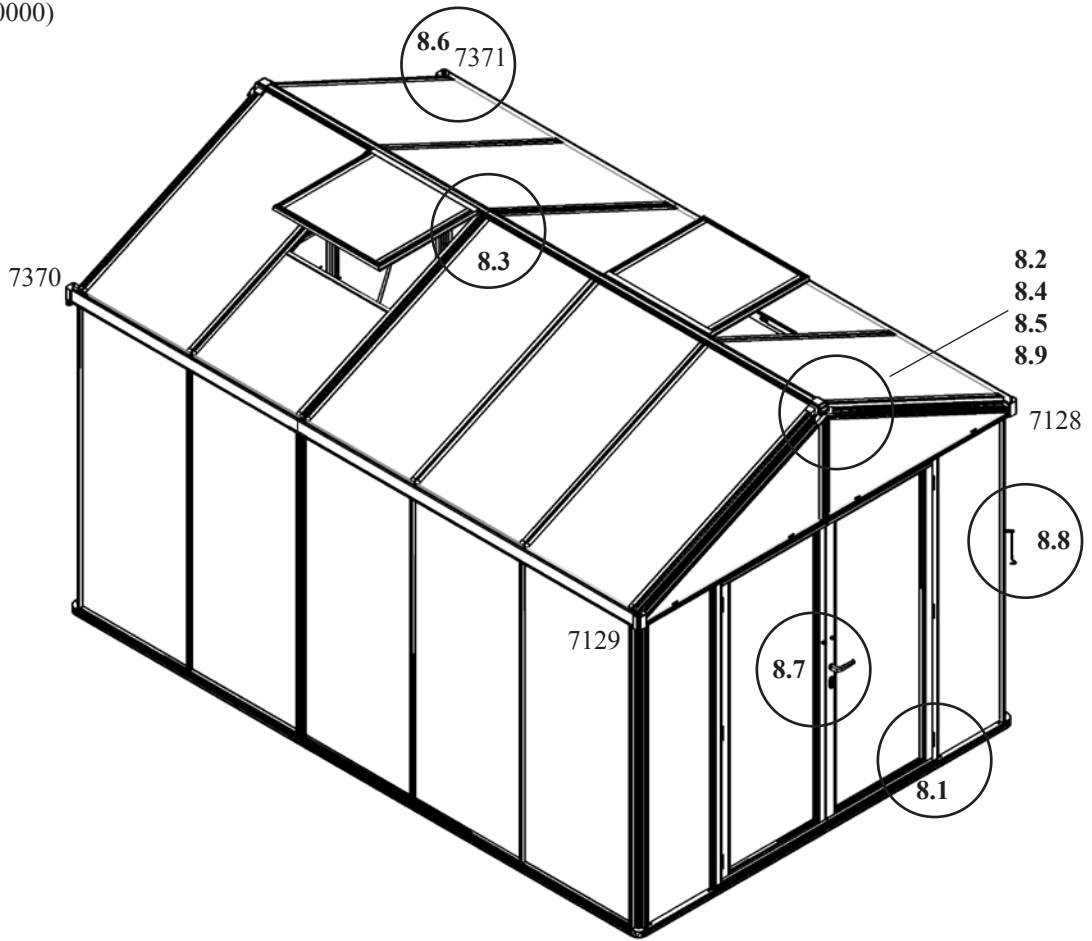
Position the cappings and loosely connect them with nuts 7053.

Check that the doors are right angular before tightening all bolts. **Please do not over tighten.**

Glazing Doors



(10000)

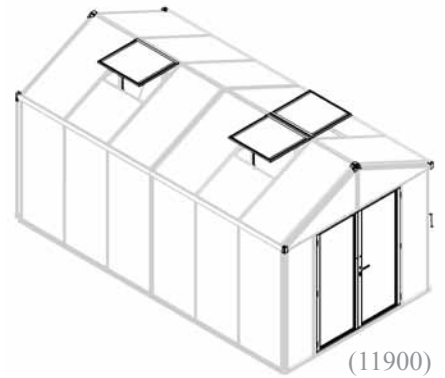


Model				
8100	10000	11900	13800	15700
7053				
2	2	2	2	2
7056				
4	4	4	4	4
7088				
18	18	18	18	18
7111				
2	2	2	2	2
7112				
2	2	2	2	2
7128				
1	1	1	1	1
7129				
1	1	1	1	1
7151				
2	2	2	2	2
7266				
2	2	2	2	2
7349				
4	4	6	6	6
7369				
4	4	6	6	6
7370				
1	1	1	1	1
7371				
1	1	1	1	1
7399				
2	2	2	2	2

FINISHING

PLEASE NOTE ...

Check that the greenhouse is completely right angular and all nuts tight. Please do not over tighten. This should be repeated after 14 days.



(11900)

Connect the doors, completed in step 6, to door supports 7139 and 7140 using the prepared holes and screws 7088 (8.1).

Slide the roof vent into the correct section from one end of the house (8.2). Attach the roof vent fixer 7369 using the prepared holes and self drilling screw 7349 on both sides of the roof vent (8.3) (8.4).

Slide ridge end cap 7266 onto both ends. Fix in place using 2 self drilling screws 7056 (8.5).

Slide eave plastics 7128, 7129, 7370 and 7371 into the eave bars 7213, 7214 or 7215 (8.6).

☞ It can help to pull the eave bar 7213, 7214 or 7215 at the top edge, carefully away from the house so that the opening for the plastic becomes larger.

Assemble door holders 7111 using spacers 7112 onto door side bars 7142 and 7143 (8.7).

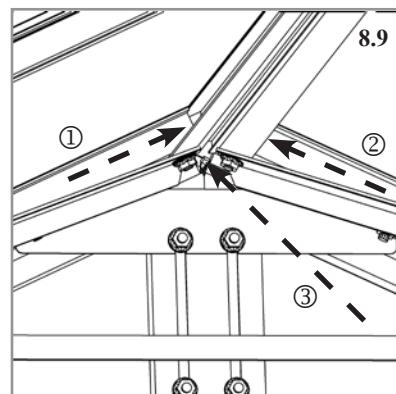
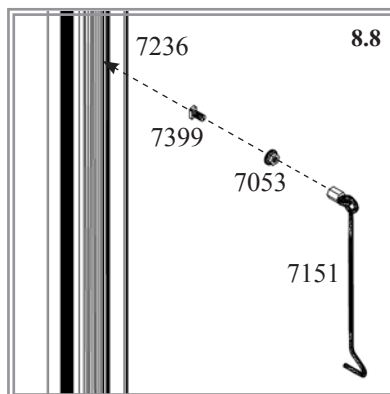
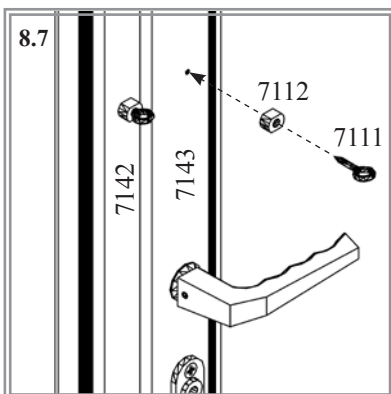
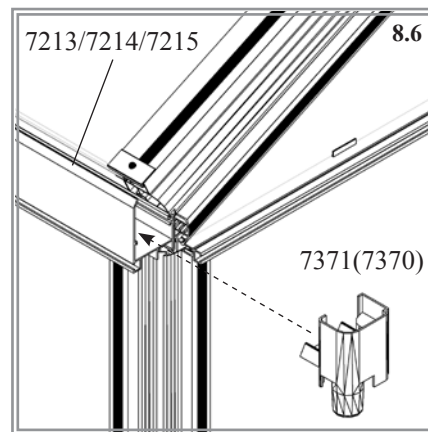
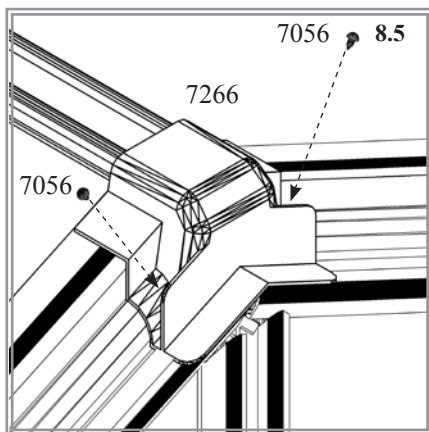
Insert bolts 7399 into the bolt channel in corner bars 7236. Adjust the height to match door holder 7111 and fix in place with nut 7053. Assemble door latch 7151 onto bolt 7399 (8.8).

It is recommended to include a bead of neutral silicone along the ridge join from outside and to fill the ridge corners at 3 points from inside (8.9). Neutral silicone is not provided.

Connect sill angles 7095 to the foundation using plugs and bolts (not provided).





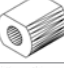



Stick the appropriate model label and warning label inside the house for future reference.

Finishing

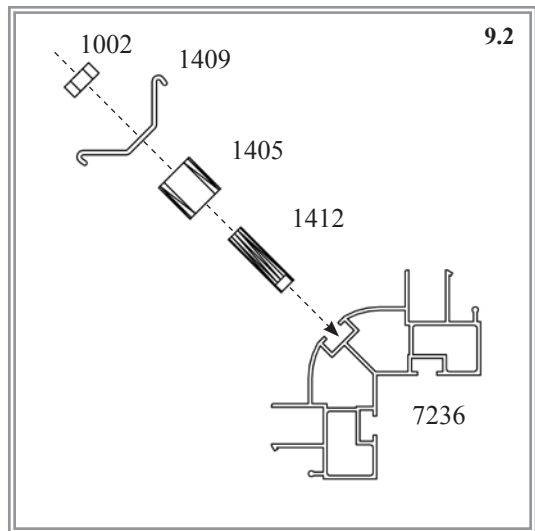
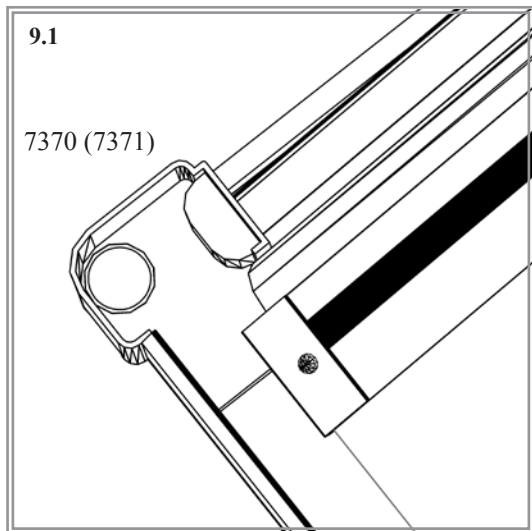
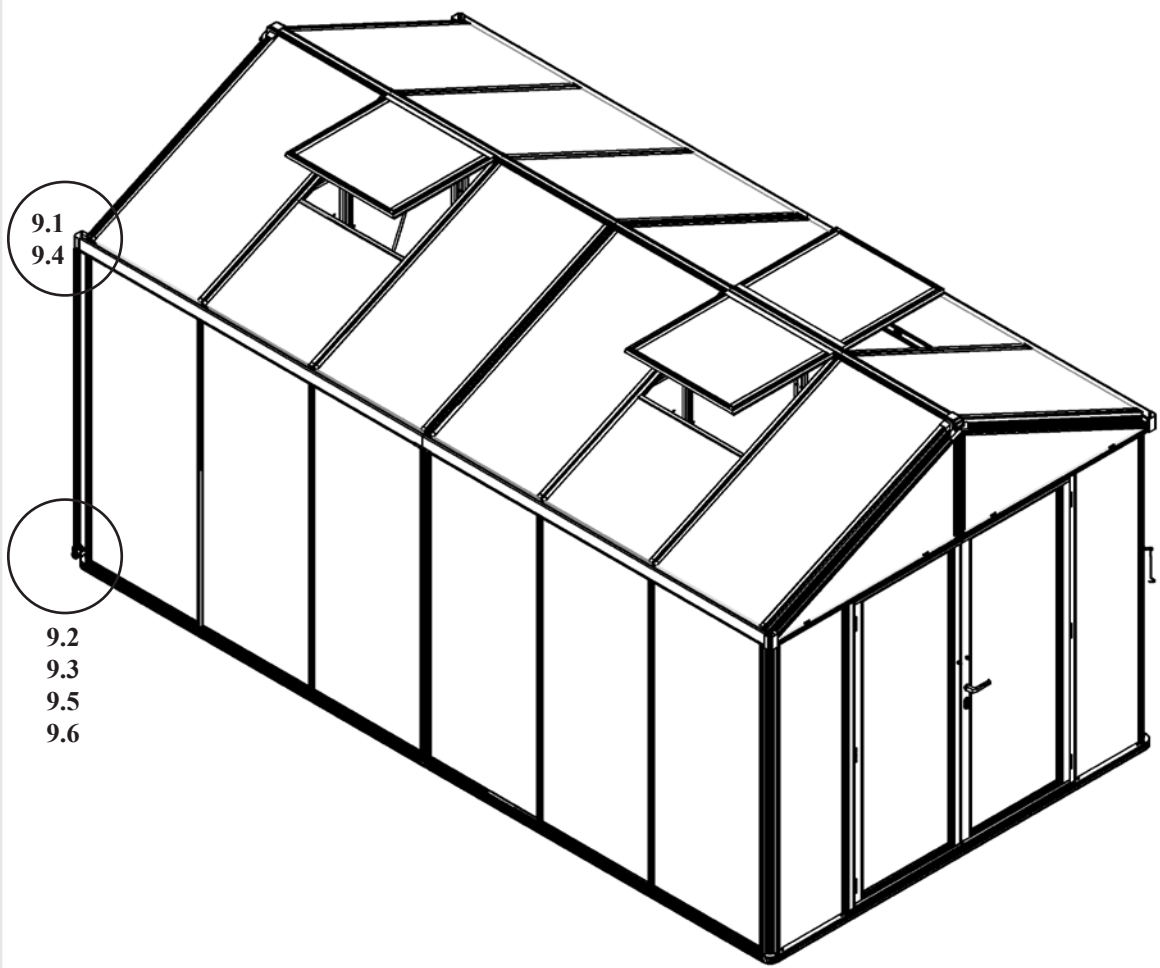


POSEIDON

All Models

1002 x2	
1006 x2	
1402 x2	
1403 x2	
1405 x2	
1409 x2	
1412 x2	
1415 x2	

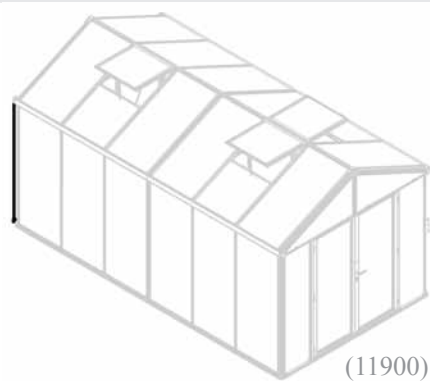
(11900)



DOWN PIPES

PLEASE NOTE ...

Please wear protective glasses and gloves.



(11900)

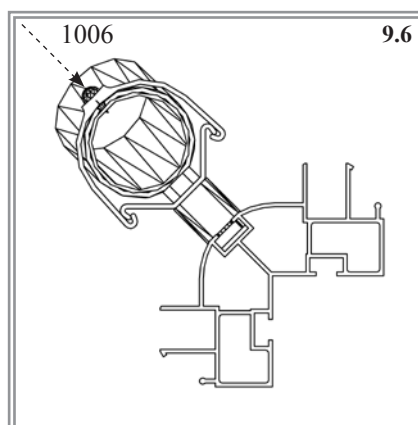
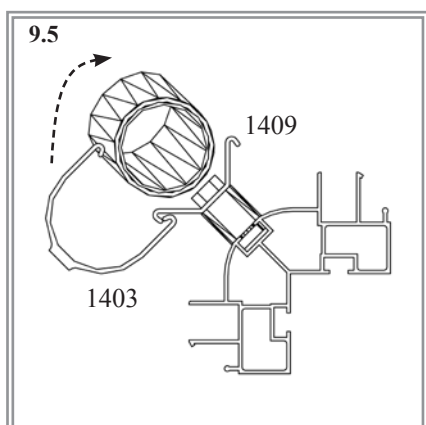
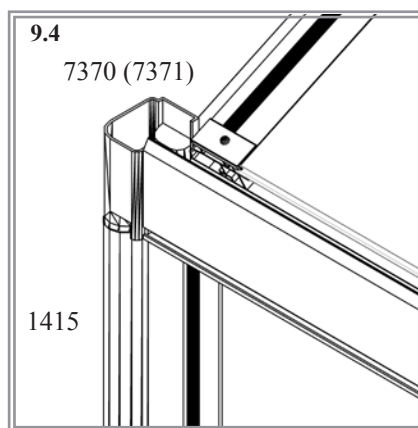
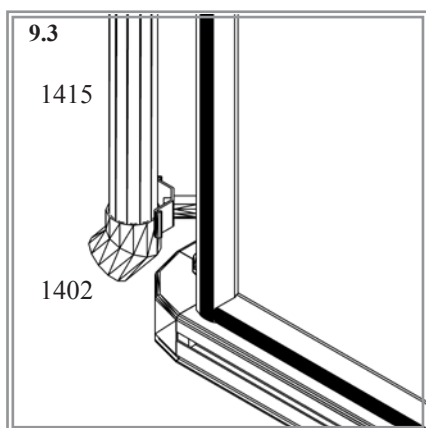
Insert bolt 1412 into the bolt channel at the bottom of corner post 7236 and connect parts 1405 and 1409 with nut 1002 on both sides (9.2).

Fit elbow 1402 onto the bottom of down pipe 1415 (9.3) and then connect this to the eave plastic 7370 or 7371 (9.4).

Fit the down pipe clamp 1403 around the down pipe and connect to 1409 (9.5).

Insert screw 1006 to fix the down pipe in place (9.6).

Down Pipes



POSEIDON



E.P.H. Schmidt u. Co. GmbH
Hoefkerstrasse 30
44149 Dortmund
Postfach 170163
44060 Dortmund
Deutschland
Tel.: +49 231 941655 0
Fax: +49 231 941655 99
www.eph-schmidt.de
verkauf@eph-schmidt.de

OPJ A/S
Volderslevvej 36 A
5260 Odense S
Danmark
Tel.: +45 66 15 10 30
Fax: +45 66 15 00 84
www.opj.dk
opj@opj.dk