

# **(EN) Assembly instructions**

**(DE) Montageanleitung**

**(DA) Montagevejledning**

**(PL) Instrukcja Montażu**

**(FR) Notice de Montage**

**(IT) Istruzioni di Montaggio**

**(SL) Navodila za Montažo**

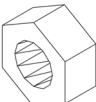
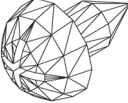


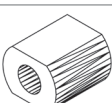
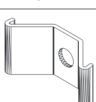
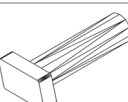
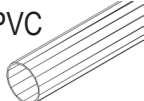
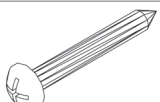
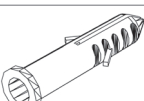
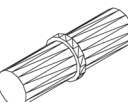
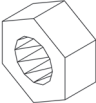
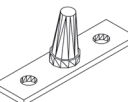

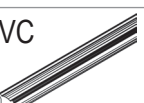
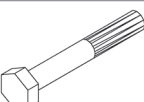
**(NL) Montage Instructies**

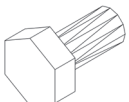

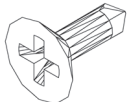
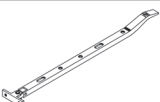
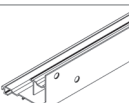
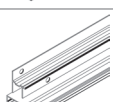
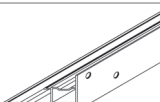
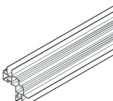
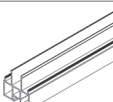

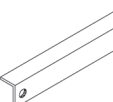
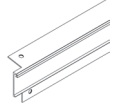
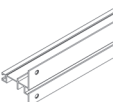
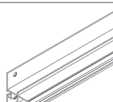
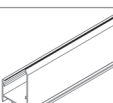
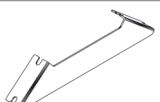


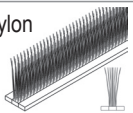
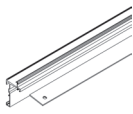
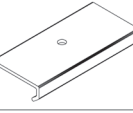
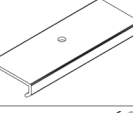
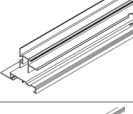
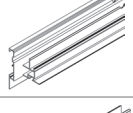
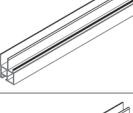
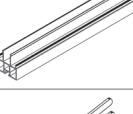
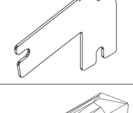
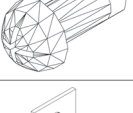
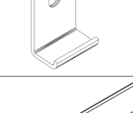
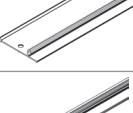
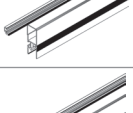
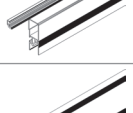
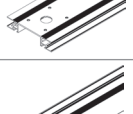
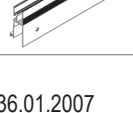
**Vitavía**  
- makes living grow

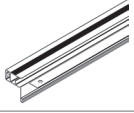
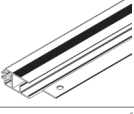
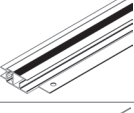
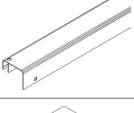
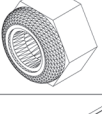
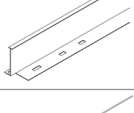
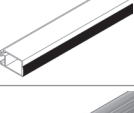
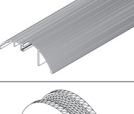
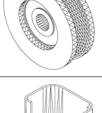
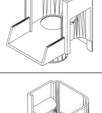
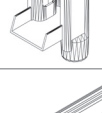

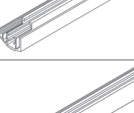
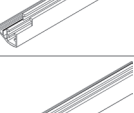
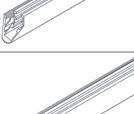

---

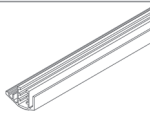
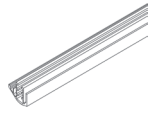
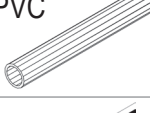

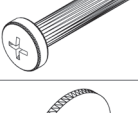
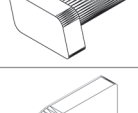
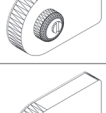
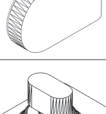
**VM0019-HA**  
**7000, 8600, 10200, 11900**

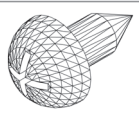
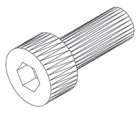
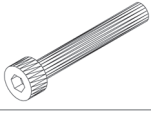
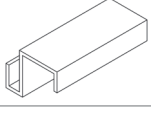
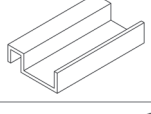

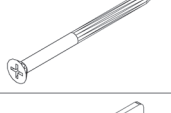
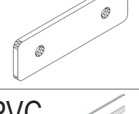
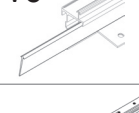

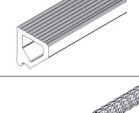

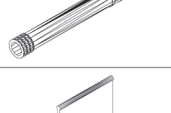
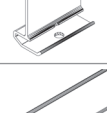
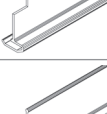
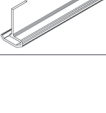
Item No.	Part	Sect. Ref.	Size mm	Quantity			
				7000	8600	10200	11900
1002		9	M6	2x	2x	2x	2x
1006		9	3.5 x 6	2x	2x	2x	2x
1402		9	36	2x	2x	2x	2x
1403		9	20	2x	2x	2x	2x
1405		9	15	2x	2x	2x	2x
1409		9	20	2x	2x	2x	2x
1412		9	M6 x 22	2x	2x	2x	2x
1415	PVC 	9	1720	2x	2x	2x	2x
2002		6b	4.2 x 38	2x	2x	2x	2x
2003		6b	Ø 8	2x	2x	2x	2x
2271		6a	37	4x	4x	4x	4x
3002		9	M6	2x	2x	2x	2x
6056		8	47	4x	4x	4x	4x
6070		5 9	Ø 13.5	206x	220x	234x	248x
6090	PVC 	7b	57000 61000 66000 70000	1x - - -	- 1x - -	- - 1x -	- - - 1x
7050		1 2 3 7b	M6 x 42	85x	90x	95x	100x

Item No.	Part	Sect. Ref.	Size mm	Quantity			
				7000	8600	10200	11900
7052		1-9	M6 x 12	97x	102x	107x	112x
7053		1-9	M6	206x	220x	234x	248x
7088		8	3.9 x 13	26x	26x	26x	26x
7090		5	324	2x	2x	2x	2x
7301		2	2603.7	1x	1x	1x	1x
7302		3	2603.7	1x	1x	1x	1x
7304		1	2659	1x	-	-	-
7305			3288	-	1x	-	-
7306			3917	-	-	1x	-
7307			4546	-	-	-	1x
7310		1	1801	2x	2x	2x	2x
7311		1 2 3	1801	8x	9x	10x	11x
7312		1	1915	2x	2x	2x	2x
7313		2 3	1911.5	2x	2x	2x	2x
7314		1	2586	1x	-	-	-
7315			3215	-	1x	-	-
7316			3844	-	-	1x	-
7317			4473	-	-	-	1x
7321		2	2537.7	1x	1x	1x	1x
7322		3	2537.7	1x	1x	1x	1x
7324		7a	2586	1x	-	-	-
7325			3215	-	1x	-	-
7326			3844	-	-	1x	-
7327			4473	-	-	-	1x
7331		4b	218	3x	4x	5x	6x

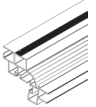
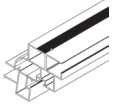
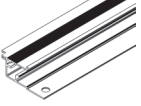
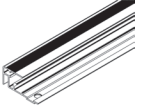
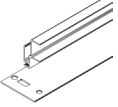
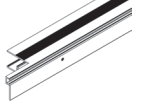
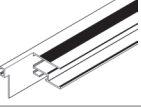
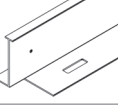
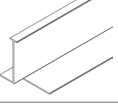
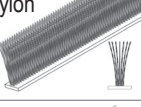
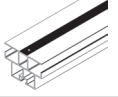
Item No.	Part	Sect. Ref.	Size mm	Quantity			
				7000	8600	10200	11900
7332	Nylon 	6a	9000 x 10	1x	1x	1x	1x
7334		4a	2654	1x	-	-	-
7335			3283	-	1x	-	-
7336			3912	-	-	1x	-
7337			4541	-	-	-	1x
7342		7a	45	2x	2x	2x	2x
7343		7a	56	3x	4x	5x	6x
7344		2	2310	1x	1x	1x	1x
7345		3	2310	1x	1x	1x	1x
7346		4a	224.5	1x	1x	1x	1x
7347		4a	224.5	1x	1x	1x	1x
7348		4a	93.5	4x	4x	4x	4x
7349		5 7a	3.9 x 10	17x	20x	23x	26x
7350		6a	20	4x	4x	4x	4x
7351		6b	2548	1x	1x	1x	1x
7352		6a	653	1x	1x	1x	1x
7353		6a	653	1x	1x	1x	1x
7354		6a	574	1x	1x	1x	1x
7355		6a	574	2x	2x	2x	2x

Item No.	Part	Sect. Ref.	Size mm	Quantity			
				7000	8600	10200	11900
7356		6a	1828	2x	2x	2x	2x
7357		6a	1828	1x	1x	1x	1x
7358		6a	1828	1x	1x	1x	1x
7359		9	2548	1x	1x	1x	1x
7360		6a	M6	4x	4x	4x	4x
7361		6b	1796	2x	2x	2x	2x
7362		6b	1222	1x	1x	1x	1x
7363		6b	1217	1x	1x	1x	1x
7364		6a	Ø 32	4x	4x	4x	4x
7370		9	71.35	1x	1x	1x	1x
7371		9	71.35	1x	1x	1x	1x
7372		7b	1819	8x	9x	10x	11x
7373		7b	1819	4x	4x	4x	4x
7374		7b	1819	2x	2x	2x	2x
7375		7b	462	1x	1x	1x	1x
7376		7b	462	1x	1x	1x	1x

Item No.	Part	Sect. Ref.	Size mm	Quantity			
				7000	8600	10200	11900
7377		7b	2581	1x	1x	1x	1x
7378		7b	2581	1x	1x	1x	1x
7379		7b	240	1x	1x	1x	1x
7380		7b	240	1x	1x	1x	1x
7381		7b	618	10x	11x	12x	13x
7382	PVC 	7b	618	10x	11x	12x	13x
7384		6a	574	1x	1x	1x	1x
7390		6b	M6 x 30	4x	4x	4x	4x
7392		6a	Ø 5/3	8x	8x	8x	8x
7393		6a	M6 x 31	4x	4x	4x	4x
7395		4a 4b	Ø 12/6.5	5x	6x	7x	8x
7396	Silicon 	1 2 3 4a	16200 16800 17400 18100	1x - - -	- 1x - -	- - 1x -	- - - 1x
7399		4b 8	M6 x 12	22x	26x	30x	34x
7400		6a	123	1x	1x	1x	1x
7401		6a	123	1x	1x	1x	1x
7402		6a	60	1x	1x	1x	1x

Item No.	Part	Sect. Ref.	Size mm	Quantity			
				7000	8600	10200	11900
7403		8	4.2 x 10	8x	8x	8x	8x
7404		6a	M4 x 10	8x	8x	8x	8x
7405		6a	M4 x 25	4x	4x	4x	4x
7407		7b	30	8x	9x	10x	11x
7409		7b	30	8x	8x	8x	8x
7411		4a	3.8 x 80	12x	13x	14x	15x
7412		4a 4b	3.8 x 60	14x	15x	16x	17x
7413		5	50	2x	2x	2x	2x
7414	PVC 	4a	2654 x 15	1x	-	-	-
7415			3283 x 15	-	1x	-	-
7416			3912 x 15	-	-	1x	-
7417			4541 x 15	-	-	-	1x
7419		8	405	4x	4x	4x	4x
7420	PVC 	5 6a	17600	1x	1x	1x	1x
7421		4a	ø6 x 80	12x	13x	14x	15x
7422		4a 4b	ø6 x 60	14x	15x	16x	17x
7423		7a*	30	8x*	10x*	12x*	14x*
7424		7a	592	4x	5x	6x	7x
7425		7a	592	4x	5x	6x	7x



Item No.	Part	Sect. Ref.	Size mm	Quantity			
				7000	8600	10200	11900
7428		4a	2590	1x	1x	1x	1x
7429		4a	2590	1x	1x	1x	1x
7450		5	557	2x	2x	2x	2x
7451		5	557	2x	2x	2x	2x
7452		8	663	2x	2x	2x	2x
7453		5	892	2x	2x	2x	2x
7454		5	892	2x	2x	2x	2x
7455		8	908	2x	2x	2x	2x
7456		8	908	2x	2x	2x	2x
7457	Nylon 	5	4800 x 15	1x	1x	1x	1x
7472		4b	2583	3x	4x	5x	6x

# Safety Warning

- PLEASE READ THESE INSTRUCTIONS CAREFULLY AND COMPLETELY BEFORE ASSEMBLING YOUR GREENHOUSE.**
- Sharp edges and corners can cause injury. Always wear protective glasses, gloves, shoes and headgear when handling the aluminium profiles, glass and polycarbonate sheets. Broken glass is a safety hazard – always clear up immediately and dispose of with care.
- The product you have purchased is intended only for growing plants and should only be used for this purpose. When used for other purposes we will take no responsibility.
- It is recommended that this greenhouse is assembled by two people.
- When using a step ladder one person should steady it at all times whilst the other works.
- Should you encounter difficulties constructing this house, or in fitting the glass or polycarbonate sheets, please contact your retailer – **do not use force!**
- The greenhouse must always be anchored.

## Assembly Instructions

### SITE SELECTION

Always try to select a sunny location, sheltered from the wind as much as possible.

### IMPORTANT

Before assembling your new greenhouse, please check that all parts in the provided list are included. Please take each bundle out of the packaging in order to identify the parts better.

It is important that the opened bundles do not get mixed with one another.

If something is missing please contact your retailer.

**Note** - The UV-resistant side of the polycarbonate sheets is indicated by a plastic film or printing at the edge. **This side must face outside.**

In order to seal the greenhouse effectively it is suggested that you apply neutral silicone as shown in diagrams (4b.4), (4b.5), (7a.7) and (7a.9). Silicone is provided for this purpose.

### NECESSARY TOOLS

Screw drivers (Normal and Crosshead PH2)  
 Rubber Hammer  
 2 x 1.8m ladder  
 10 mm socket spanner or wrench  
 10 mm combination spanner  
 Craft knife  
 Measuring stick  
 Spirit level  
 Accu-drill with adjustable torque

### MAINTENANCE

The greenhouse should be thoroughly washed with a gentle detergent occasionally. Please check that the detergent used does not react aggressively with aluminium or plastic. Ensure that the door tracks are cleaned

regularly to avoid a build-up of debris.

### 0. FOUNDATION

**Important!** The foundation must be exactly right angular and level. To achieve this you will require a spirit level and a right angle.

**Note** - If the distance between the two opposite corners is the same then the foundation is right angular.

For the erection of this greenhouse we suggest a solid foundation constructed from concrete, brickwork or stonework. If you have no experience with the construction of such a foundation please consult a company specialising in this work. Materials and tools for the preparation of the suggested foundation are not provided.

The suggested foundation allows the door to be assembled on any side of the greenhouse.

Foundations must extend down below the frost level.

**Diagrams in a single frame show the view from inside the greenhouse. Those enclosed in a double frame show the view from outside the greenhouse.**

### 1. FRONT ELEMENT

**Note** - If the door is to be assembled in the front of the house remove one of the middle bars (7311)ⓐ.

Push silicon seal (7396) into the sill bar (7304 - 7307) and cut to fit both ends (1.1) (1.2).

Lay all of the parts, according to the model, on the floor and loosely connect by inserting bolts (7052) into the bolt channels. Take care that the eave angles (7314 - 7317) are pushed into the corner of both corner bars (7310) (1.3) (1.4) and that corner bars (7310) and middle bars (7311) sit correctly on the

assembly edge on the eave angle (1.9) (1.12).

Assemble diagonal bars (7312) on both sides (1.3) (1.4) (1.10) (1.11). At the sill loosely attach temporary bolt (7050). (7050) will be removed during glazing (section 7b).

### 2. PLAIN GABLE END

**Note** - If the door is to be assembled on this side of the house remove middle bar (7311)ⓐ.

Push silicon seal (7396) into sill bar (7301) and wall bar (7344) and cut to fit the ends (2.1) - (2.4).

Lay all of the parts on the floor and loosely connect by inserting bolts (7052) into the bolt channels.

Assemble end bar (7321) into the recess in wall bar (7344) (2.5) (2.6) and then (7344) onto sill bar (7301) (2.7) (2.8).

Assemble middle bars (7311) (2.9) (2.10).

Assemble diagonal bar (7313) (2.5) (2.6) (2.11) (2.12). At the sill loosely attach temporary bolt (7050). (7050) will be removed during glazing (section 7b).

### 3. DOOR GABLE END

**Note** - If the door is to be assembled on another side then assemble the (7311)ⓐ, which was previously removed, in position ⓐb.

Assemble all parts as in Section 2.

### 4a. CONNECTING THE SIDE ELEMENTS

(4a.1) shows the 4a assembly if the door is to be in the front of the house.

Push silicon seal (7396) into the ridge bar (7334 - 7337) and cut to fit the ends. Check that ridge seal (7414 - 7417) is correctly inserted into the guide in the ridge bar (4a.2) (4a.3).

Loosely prepare bolts (7052) and nuts (7053)

in sill bars (7301) and (7302) as shown in (4a.4). Lower corner bars (7310) fitting the bolt heads of (7052) into the bolt channels of (7310) (4a.5).

Connect end bars (7321) and (7322) to corner bars (7310) ensuring they are pushed against the eave angle bar (4a.6).

Assemble roof corner bars onto the eave angle (4a.7) (4a.8). Ensure that the roof corner bars sit correctly on the assembly edge on the eave angle (4b.6) and that the small holes on the outside of (7428 / 7429) are at the eave end (4a.7).

Assemble the ridge bar (7334 - 7337), roof corner bars (7428) (7429) and wall bars (7344) (7345) (4a.9) (4a.10) using plate (7348).

**Note:** Ensure the ridge seal (7414 - 7417) is bent forward over the roof corner bars (4a.10).

Assemble end middle bars (7346) (7347) to the end bars and the roof corner bars using plate (7348) (4a.11).

Position the assembled frame against the wall on the prepared foundation, check that it is level and drill Ø6 holes through the prepared holes in (7301), (7302), (7304 - 7305), (7344) and (7345) on the wall and foundation. Insert wall plugs (7421) or (7422) into the holes and connect loosely to the foundation and wall using screws (7411) and (7412) (4a.12).

#### 4b. ROOF MIDDLE BARS

Loosely prepare (7052) and (7053) in the ridge bar and slide middle bars (7472) into position fitting the bolt heads of (7052) into the bolt channels of (7472) (4b.1) (4b.2).

**Note:** Ensure the ridge seal (7414 - 7417) is bent forward over the roof middle bars (7472) (4b.3).

Insert (7052) into the bolt channel in (7472) at the eave and lower onto the eave angle using washer seal (7395) and nut (7053) (4b.4) (4b.5). Ensure that (7472) sit correctly on the assembly edge on the eave angle (4b.6) and that the small hole on the outside of (7472) is at the eave end (4b.7).

Drill Ø6 holes through the prepared holes in (7334 - 7337). Insert wall plugs (7422) into the holes and loosely connect the ridge bar to the wall using screws (7412) (4b.8).

Adjust the frame until it is completely right angular and tighten all screws (7411) and (7412) and nuts (7053). **Please do not over tighten.**

Assemble corner braces (7331) between each side middle bar (7311) and roof middle bar (7472) by inserting cropped head bolts (7399) into the bolt channels (4b.9) (4b.10).

#### 5. SIDE WINDOW

Connect window bottom bar (7451) to side

bars (7453) and (7454) (5.2) (5.3).

Slide pane D into the glazing channels (5.5) in the assembled parts (5.4) (5.5).

Loosely prepare (7052) and (7053) in window top bar (7450) and slide onto (7453) and (7454) fitting the bolt heads of (7052) into the bolt channels and the glazing into the glazing channels (5.6) (5.7).

**Note** - If you have chosen 4mm glass glazing, cut glazing seal (7420) to fit and press into the space in the glazing channels on the inside of the window to fix the glass in place (5.8) (5.9).

Check that the side window is right angular before tightening all bolts.

**Please do not over tighten.**

Insert brush seal (7457) using 1 continuous length into the guides in the top and side bars (7454) (7450) (7453) (5.10) and cut to length.

**Note** - If the brush seal (7457) protrudes along the top edge of (7450) when the window is closed, (see section 8), it can be trimmed shorter (5.10).

Connect window opener (7090) to (7451) using spacer (7413) and two screws (7349) (5.11) (5.12).

Connect plastic nut caps (6070) by pushing them onto all nuts (7053) (5.13).

#### 6a. SLIDING DOORS

Insert brush seal (7332) into the guides in the door bars (7352) (7353) (7355) (7356) (7357). (6a.2) and cut to length.

Loosely assemble wheels (7364), using spacers (7392) on each side of the wheel, bolt (7393), jump clip (7350) and lock nut (7360), onto door bottom bars (7355) (6a.3).

Connect (7355) with door side bars (7357) or (7358) (6a.3) (6a.7a).

Assemble door middle bars (7354) or (7384) with lock parts (7400), (7401) and (7402) using bolts (7404). Connect to door side bars (7357) or (7358) using bolts (7052), nuts (7053) and bolts (7405) (6a.4) (6a.5) (6a.8). **Do not over tighten bolts (7404) and (7405).**

Connect door top bars (7352) or (7353) to door side bars (7357) or (7358) (6a.6) (6a.7b).

Slide panes G into the glazing channels in the assembled parts (6a.9).

Loosely prepare (7052) and (7053) in door side bars (7356) and slide onto (7355), (7354) or (7384) and (7352) or (7353) fitting the bolt heads of (7052) into the bolt channels and the glazing into the glazing channels (6a.9) (6a.10). Insert door guides (2271) into the top

of both doors (6a.6).

**Note** - If you have chosen 4mm glass glazing, cut glazing seal (7420) to fit and press into the space in the glazing channels on the inside of the door to fix the glass in place (6a.11).

#### 6b. DOOR FRAME AND STEP

Assemble door support (7362) onto the sill bar in the door opening using bolts (7390) (6b.1) (6b.2).

Tilt door wheel track (7351) to fit into the sill bar and lower into position (6b.3). Centre on the door opening and connect to the foundation using wall plug (2003) and screw (2002) (6b.4).

Connect door side frames (7361) to middle bars (7311). When in place connect to the top using bolt (7052) and nut (7053) (6b.5) - (6b.8).

At the bottom insert bolt (7052) into the channel on both sides of door step (7363) (6b.9) and slide the door step into place (6b.10) (6b.11).

#### 7. GLAZING OVERVIEW

Please sort the glazing according to your model size and glazing type before beginning. If you have chosen glass then panes E and F are identical on both sides.

**Note** - The UV-resistant side of the polycarbonate sheets is indicated by a plastic film or printing at the edge. **This side must face outside.** Loosen the film approximately 2cm at all edges of each pane before assembly. When the assembly of all sheets is finished completely remove all film from the sheets.

#### 7a. ROOF GLAZING / EAVE

Slide the roof glazing into the guides in the roof profiles (7a.2) (7a.3). When two adjacent sheets are in place, screw glazing stops (7342) or (7343) onto the roof profile between them using the prepared holes and self-drilling screws (7349) (7a.4) (7a.5). The sheets should slide down to rest against these stops.

**Note:** Ensure the ridge seal (7414 - 7417) is bent forward over the roof sheets B (7a.6).

Angle the eave bar (7324 - 7327) into the eave angle (7a.7) and turn it down to rest against the eave angle. Connect it to the eave angle using bolts (7052) from outside and nuts (7053) inside the house (7a.8).

Insert glazing spacer (7424) over the inside edge of the eave angle (7a.10) and glazing spacer (7425) over the inside edge of the ridge bar (7a.11). At the ridge fix (7425) in place using screw (7349) (7a.11).

**Note:** The formation of condensation is unavoidable in a greenhouse with polycarbonate sheets, however it may be reduced by exchanging the parts (7424 / 7425) with (7423\*). This will allow increased ventilation inside and thereby reduce the condensation.

Please use screws (7349) to fix (7423\*) in the middle of each section at the eave and at the ridge (7a.12).

## 7b. SIDE GLAZING

Please decide at this point in which sections you will assemble the two side windows.

**Note:** These cannot be assembled into a corner section or in sections adjacent to the door entrance.

Glazing panes H will be then assembled into these sections instead of glazing pane A.

Press glazing seal (7382) into the top groove in each (7381) and cut to fit both ends.

If glazing with glass, press glazing seal (6090) onto the aluminium profiles (7b.2) and cut to length. **Note** - On all horizontal glazing guides it is recommended to use smaller lengths of the seal (6090) in the middle of each section. This will allow condensation which collects inside the house to escape.

**Note** - With Polycarbonate the glazing rubber is not required.

Through the positioning of the (7050) bolt head in the different guides in the glazing capping's, it is possible to glaze the greenhouse with ≤ 4 mm, 10 mm or 16 mm panes (7b.2).

Prepare bolts (7050) in each glazing capping as shown (7b.3).

For 10mm glazing prepare 1 spacer (7407), in the middle / top of each pane A (7b.4). Position each glazing pane A or H into the frame and connect the vertical capping's (7372), (7373) or (7374) loosely with nuts (7053).

Lift pane A or H 15mm and connect capping's (7381) loosely under the pane.

**Note** - The bolts (7050) used to hold the diagonal braces in sections 1, 2 and 3 should be replaced at this point (7b.8).

For 10mm glazing prepare 4 spacers (7409) onto each (7321) and (7322) (2 spacers for each pane E and F) (7b.5) (7b.6). Position panes E and F.

Connect capping's (7377) or (7378) and then (7375) / (7379) or (7376) / (7380) loosely.

Tighten all nuts. **Please do not over tighten.**

**Note** - The vertical capping's can be best assembled when the top bolt is first inserted into the hole, then the middle and finally the bottom bolt. Ensure that the capping remains in contact with the sill bar.

## 8. SIDE WINDOW ASSEMBLY

Remove nuts (7053) from the top two bolts holding cappings (7372) in the middle bars (7311) beside the window opening.

Loosely prepare (7053) and (7399) in the lower hole in window side frames (7455) and (7456) (8.1).

Turn window side frames (7455) and (7456) onto middle bars (7311) above glazing pane H (8.2) and reconnect the top capping nut (7053) (8.3) (8.4).

Loosely prepare (7053) and (7399) in the lower hole in window sill bar (7452). Rotate it into position to cover glazing pane H fitting the middle capping bolt into the top hole on both sides of (7452) (8.5).

Reconnect the middle capping nut (7053) (8.6).

Using screws (7088) assemble the window hinge (7419) onto the window side frames (7455) and (7456) (8.7). **Note:** Only connect using the prepared long holes in the hinge.

Assemble the prepared side window (see section 5) between the two window hinges (7419) using screws (7088). **Note:** Only connect using the prepared long holes in the hinge.

Close the window and ensure that it closes over the sill bar (7452) without contact. The window height can be adjusted using the long holes in hinge (7419) and when correct fixed by inserting extra screws into the other holes.

Connect window latches (6056) onto the sill bar (7452) using screws (7403) (8.9).

Locate them by aligning with the long holes in the window opener (7090) when the window is closed (8.10).

When the window is closed the window opener (7090) can be latched onto both (6056) to hold the window closed (8.10).

**Note** - If the brush seal (7457) protrudes along the top edge of (7450) when the window is closed it can be trimmed shorter, see detail (5.10).

Repeat for the other window.

## 9. FINAL STEPS

Insert eave plastic (7370) and (7371) into both ends of the eave bar (7324 - 7327) (9.1) (9.2).

**Note** - It can help to pull the eave bar at the top edge, carefully away from the house so that the opening for the plastic becomes larger.

Insert cropped head bolt (1412) into the bolt channel at the bottom of corner bar (7310) and connect parts (1405) and (1409) with aluminium nut (1002) on both sides (9.3). Fit elbow (1402) onto the bottom of down pipe

(1415) (9.6) and then connect this to the eave plastic (7370) or (7371) (9.9). Fit the down pipe clamp (1403) around the down pipe and connect to (1409) (9.4). Insert screw (1006) to fix the down pipe in place (9.5).

Assemble door track (7359) into the door opening. Connect to (7321), (7322) or (7324 - 7327) by inserting bolts (7052) into the bolt channel on the outside of these bars and connect with nuts (7053) (9.8).

Include at both ends of door track bar (7359) bolt (7052) from outside and nut (3002) inside the door guide to prevent the door from sliding out of the track (9.8) (9.9).

Position the doors by inserting the plastic door guides (2271) into the guide in door track bar (7359) (9.10) (9.11a) and then lower the wheels onto the door track on bar (7351) (9.11b). Hook the door jump clips (7350) under the lip on (7351) and tighten the lock nuts (7360) (9.11b).

Connect plastic nut caps (6070) by pushing them onto all visible nuts (7053) inside the building (9.12).

**Note** - It is recommended to include a bead of neutral silicone between the ridge bar and wall from outside (9.7). Neutral silicone is not provided.

## FINISHING

If desired, it is possible to further seal the greenhouse at the edges using neutral silicone. Silicone is not included for this purpose.

Place the warning label inside the house.

Please check the tightness of all nuts and bolts 2 weeks after completing the assembly.

A full range of greenhouse accessories, to help you make the most of this product, is available from your stockist. Please take a look at the possibilities.

## SAFETY NOTICE

In the event of high wind conditions, close the doors and all vents.

In the event of heavy snowfall, clear the roof of the building or take suitable measures to support the roof. Heat the building in winter.

## COMMENTS

For the complete protection of your new greenhouse, we advise you to include it in your **house insurance**. Please take note of possible building rules relating to the positioning of greenhouses.

Please stick the included greenhouse model label onto door bar (7352) or (7353) after successfully assembling this product. This information is important in the event that replacement parts are later required.

Please keep these assembly instructions in a safe place, for future reference!

Our policy is one of continuous improvement and we reserve the right to change the specifications without prior notice.



## 1. BITTE LESEN SIE DIESE MONTAGEANLEITUNG VOR BEGINN DES AUFBAUS KOMPLETT DURCH!

- Bei der Handhabung von Glas, Hohlkammerplatten oder Gewächshausteilen sind immer eine Schutzbrille, Handschuhe, Sicherheitsschuhe und ein Kopfschutz zu tragen, da scharfe Kanten zu Verletzungen führen können. Gebrochenes Glas ist ein Sicherheitsrisiko. Beseitigen Sie es mit der gebotenen Vorsicht.
- Das von Ihnen erworbene Gewächshaus ist für die Aufzucht von Pflanzen konstruiert und sollte auch **ausschließlich** dafür genutzt werden. Bei anderweitiger Nutzung ist jegliche Haftung ausgeschlossen.
- Für die Montage dieses Gewächshauses sind zwei Personen erforderlich.
- Bei Benutzung einer Stufenleiter sollte immer eine zweite Person die Leiter sichern.
- Sollten Sie beim Montieren des Hauses oder beim Einsetzen der Verglasung Schwierigkeiten haben, dann setzen Sie sich bitte mit Ihrem Händler in Verbindung – **Wenden Sie keine Gewalt an!**
- Das Gewächshaus muss verankert werden.

## Aufbaubeschreibung

### STANDORTWAHL

Suchen sie den sonnigsten, aber gleichzeitig einen windgeschützten Platz aus.

### WICHTIG

Bevor Sie mit der Montage Ihres Gewächshauses beginnen, überprüfen Sie, ob alle in der Liste angegebenen Teile vorhanden sind. Nehmen Sie die einzelnen Bündel aus der Verpackung, um sie besser identifizieren zu können. Es ist wichtig, dass die geöffneten Bündel nicht durcheinander geraten. Sollte trotz sorgfältigster Prüfung etwas fehlen, setzen Sie sich bitte mit Ihrem Händler in Verbindung.

**Achtung** – Die UV-beständige Seite der Hohlkammerplatten ist durch eine Plastikfolie oder einen gedruckten Hinweis an den Kanten gekennzeichnet. **Diese Seite muss nach außen zeigen!**

Zur gründlichen Abdichtung des Gewächshauses wird empfohlen, neutral vernetzendes Silikon, wie in den Abbildungen (4b.4), (4b.5), (7a.7) und (7a.9) gezeigt, zu verwenden. Silikon ist beigefügt.

### BENÖTIGTE WERKZEUGE

Schraubendreher (Schlitz und Kreuzschlitz PH2)

Gummihammer

2 Leitern (1.80 m)

Schraubenschlüssel 10 mm

Ring-Gabelschlüssel

Messer

Zollstock

Wasserwaage

Akku-Schrauber mit einstellbarem Drehmoment.

### WARTUNG

Das Gewächshaus sollte hin und wieder gründlich mit einer milden, PH-neutralen

Reinigungslösung abgewaschen werden. Das Glas kann mit einem milden Reinigungsmittel gesäubert werden, das weder die Kunststoffteile, noch den Aluminiumrahmen, oder die Glasfederklammern angreift. Reinigen Sie die Türlaufschiene regelmäßig.

### 0. FUNDAMENT

**Wichtig!** Das Fundament muss absolut rechteckig und eben sein. Um das zu erreichen, werden eine Wasserwaage und ein Winkel benötigt.

**Achtung:** Wenn der Abstand zwischen zwei gegenüberliegenden Winkeln gleich ist, dann ist das Fundament rechteckig.

Für den Aufbau dieses Gewächshauses empfehlen wir ein solides Fundament aus Beton, Ziegelsteinen oder Mauerwerk. Wenn Sie mit der Konstruktion eines solchen Fundamentes keine Erfahrung haben, beauftragen Sie besser eine Firma, die auf diese Arbeiten spezialisiert ist. Material und Werkzeug für die Erstellung des empfohlenen Fundamentes sind nicht im Lieferumfang enthalten.

Dieses empfohlene Fundament ermöglicht das Einsetzen der Tür an jeder beliebigen Seite.

Das Fundament muss frostfrei gegründet werden.

**Alle Zeichnungen sind von der Innenseite des Hauses gesehen abgebildet mit Ausnahme der Abbildungen, die in einem Doppelrahmen dargestellt sind, diese beschreiben die Außenansicht.**

### 1. SEITENWÄNDE

**Achtung:** Wenn die Tür an der Hausvorderseite eingesetzt werden soll, entfernen Sie eines der Zwischenprofile (7311)⊕.

Drücken Sie die Silikondichtung (7396) in das Bodenprofil (7304-7307) und schneiden Sie sie auf Länge (1.1) (1.2).

Alle Teile auf dem Boden auslegen, die Schrauben (7052) in die Schraubenkanäle schieben und lose verschrauben. Achten Sie darauf, dass die Traufenwinkel (7314-7317) in die Ecken beider Eckprofile (7310) (1.3) (1.4) gedrückt werden und dass die Eckprofile (7310) und Zwischenprofile (7311) exakt an der Montagekante des Traufenwinkels sitzen (1.9) (1.12).

Die Diagonalprofile (7312) an beiden Seiten montieren (1.3) (1.4) (1.10) (1.11). Am Bodenprofil lose mit Schrauben (7050) befestigen. (7050) werden während der Verglasung (Schritt 7b) entfernt.

### 2. GIEBELENDE OHNE TÜR

**Achtung:** Wenn die Tür auf dieser Seite des Hauses eingesetzt werden soll, das Zwischenprofil (7311)⊕ entfernen.

Die Silikondichtung (7396) in das Bodenprofil (7301) und das Wandprofil (7344) drücken und auf Länge schneiden (2.1)-(2.4).

Alle Teile auf den Boden legen und lose verschrauben durch Einführen der Schrauben (7052) in die Schraubenkanäle. Das Traufenprofil (7321) an der Aussparung des Wandprofils (7344) befestigen (2.5) (2.6) und dann das Wandprofil (7344) am Bodenprofil (7301) (2.7) (2.8) montieren. Die Zwischenprofile (7311) (2.9) (2.10) am Bodenprofil (7301) und Traufenprofil (7321) (2.11) auf Stoß montieren.

Das Diagonalprofil (7313) (2.5) (2.6) (2.11) (2.12) befestigen. An der Schwelle lose mit den Schrauben (7050) montieren. Die Schrauben (7050) werden während der Verglasung entfernt (Schritt 7b).

### 3. GIEBELSEITE MIT TÜR

**Achtung:** Wenn die Tür auf einer

anderen Seite eingesetzt werden soll, die Zwischenprofile (7311)① befestigen, die zuvor in Position (1)b entfernt wurden. Alle Teile wie in Schritt 2 montieren.

#### 4a. ZUSAMMENBAU DER SEITEN-ELEMENTE

(4a.1) zeigt den Aufbau, wenn die Tür an der Hausvorderseite eingesetzt werden soll.

Drücken Sie die Silikondichtung (7396) in das Firstprofil (7334-7337) und schneiden Sie sie auf Länge. Überprüfen Sie, ob die Dichtung (7414-7417) richtig in die Führung des Firstprofils eingeführt ist (4a.2) (4a.3).

Die Schrauben (7052) und Muttern (7053) lose an den Bodenprofilen (7301) und (7302) befestigen, wie in Abbildung (4a.4) gezeigt. Die Eckpfosten (7310) mit den Schraubköpfen (7052) in beiden Schraubenkanälen von (7310) (4a.5) montieren.

Die Traufenprofile (7321) und (7322) an den Eckpfosten (7310) befestigen und sicherstellen, dass sie gegen das Traufenwinkelprofil drücken (4a.6).

Die Giebelprofile an den Traufenwinkeln befestigen (4a.7) (4a.8). Stellen Sie sicher, dass die Giebeleckprofile genau auf der Montagekante des Traufenwinkels sitzen (4b.6) und dass die kleinen Löcher sich an der Außenseite von (7428/7429) am Traufenende befinden (4a.7).

Das Firstprofil (7334-7337) an den Giebeleckprofilen (7428) (7429) und Wandprofilen (7344) (7345) (4a.9) (4a.10) mittels Winkel (7348) montieren. Montieren Sie die oberen Zwischenprofile mittels Winkel (7348) an den Giebeleckprofilen. (4a.11).

Stellen Sie den montierten Rahmen gegen die Wand auf das vorbereitete Fundament. Prüfen Sie, ob es rechtwinklig ist und bohren Sie  $\varnothing 6$  Löcher durch die vorgebohrten Löcher in (7301), (7302), (7304-7307), (7344) und (7345) an Wand und Fundament. Stecken Sie Wandbefestigungen (7421) oder (7422) in die Löcher und befestigen Sie sie lose mittels Schrauben (7411) und (7412) am Fundament und an der Wand (4a.12).

#### 4b. DACHZWISCHENPROFILE

(7052) und (7053) lose im Firstprofil befestigen. Mittelprofile (7472) positionieren und Schraubköpfe von (7052) in die Schraubenkanäle von (7472)(4b.1)(4b.2) schieben.

**Achtung:** Stellen Sie sicher dass die Firstdichtung (7414-7417) nach vorne gebogen ist über die Dachzwischenprofile (7472) (4b.3).

(7052) in den Schraubenkanal des Mittelprofils (7472) an der Traufenseite einführen und auf den Traufenwinkel mit Unterlegscheibe (7395) und Mutter (7053) (4b.4) (4b.5) senken.

Stellen Sie sicher, dass das Mittelprofil (7472) korrekt an der Montagekante des Traufenwinkels abschließt (4b.6) und dass das **kleine Loch sich an der Außenseite des Mittelprofils (7472) am Traufenende befindet (4b.7).**

Bohren Sie  $\varnothing 6$ er Löcher durch die vorbereiteten Löcher in (7334-7337) Stecken Sie die Wanddübel (7422) in die Löcher und verschrauben Sie das Firstprofil mittels Schrauben (7412) lose mit der Wand (4b.8).

Das Haus justieren, bis es komplett rechtwinklig steht und erst dann alle Schrauben (7411) (7412) und Muttern (7053) fest anziehen. **Die Schrauben müssen fest, aber nicht zu fest angezogen werden.**

Die Knotenbleche (7331) zwischen jedes seitliche Zwischenprofil (7311) und Dachmittelprofil (7472) einsetzen indem Hammerkopfschrauben (7399) in die Schraubenkanäle eingeführt werden (4b.9) (4b.10).

#### 5. SEITENFENSTER

Das untere Fensterprofil (7451) mit den Seitenprofilen (7453) und (7454) verschrauben (5.2) (5.3). Scheibe D in die entsprechenden Führungen (5.5) der montierten Profile schieben (5.4) (5.5). (7052) und (7053) lose in das obere Fensterprofil (7450) stecken und auf (7453) und (7454) schieben, wobei die Schraubköpfe von (7052) in die Schraubenkanäle und die Verglasung in die Verglasungskanäle geführt werden müssen (5.6) (5.7).

**Achtung:** Wenn Sie 4 mm Verglasung gewählt haben, schneiden Sie die Dichtung (7420) passend und drücken Sie diese in die Verglasungskanäle an der Fensterinnenseite um das Glas zu fixieren (5.8) (5.9) Prüfen Sie, ob das Fenster rechtwinklig ist, bevor alle Schrauben fest angezogen werden.

**Die Schrauben müssen fest, aber nicht zu fest angezogen werden.**

Die Bürstendichtung (7457) in fortlaufender Länge oben in die Führungen und Seitenprofile (7454) (7450) (7453) (5.10) hineinschieben und auf Länge schneiden.

**Achtung:** Wenn die Bürstendichtung (7457) sich sichtbar verschiebt wenn das Fenster geschlossen wird (siehe Schritt 8) kann diese gekürzt werden (5.10).

Den Fensteraufsteller (7090) mittels Abstandsplatte (7413) und zweier Schrauben (7349) montieren (7349) (5.11) (5.12). Die Kunststoffkappen (6070) auf alle Schrauben (7053) drücken (5.13).

#### 6a. SCHIEBETÜREN

Die Bürstendichtung (7332) in die Türführungen (7352) (7353) (7355) (7356) (7357) (6a.2) hineinschieben und auf Länge

schneiden.

Die Türlaufrollen (7364) lose auf den unteren Türprofilen (7355) befestigen mit Abstandshaltern (7392) auf jeder Seite der Rolle, Schraube (7393), Festhalter (7350) und selbstschneidender Mutter (7360) (6a.3) Die unteren Türprofile (7355) mit den Seitenprofilen (7357) oder (7358) verschrauben. (6a.3) (6a.7a).

Die mittleren Türprofile (7354) und (7384) mit dem zweiflügeligen Kastenriegelschloss (7400) (7401) und (7402) mit Hilfe von Schrauben (7404) verbinden. Die Seitenstreben (7357) oder (7358) mit Schrauben (7052), Muttern (7053) und Schrauben (7405) befestigen (6a.4) (6a.5) (6a.8). **Die Schrauben (7404) und (7405) müssen fest, aber nicht zu fest angezogen werden.**

Die oberen Türprofile (7352) oder (7353) mit den seitlichen Türprofilen (7357) oder (7358) verschrauben (6a.6) (6a.7b).

Die Scheiben G in die Verglasungsschienen der montierten Teile schieben (6a.9).

(7052) und (7053) lose in die Türseitenprofile (7356) einführen und auf (7355), (7354) oder (7384) und (7352) oder (7353) schieben und die Schraubköpfe (7052) in die Schraubenkanäle, sowie die Verglasung in die Verglasungskanäle (6a.9) (6a.10) einpassen. Die Türführungen (2271) oben in beide Türen einführen (6a.6).

**Achtung:** Wenn Sie 4 mm Verglasung gewählt haben, schneiden Sie die Glasdichtung (7420) passend und drücken sie in die Verglasungskanäle auf der Innenseite der Tür um das Glas zu fixieren. (6a.11).

#### 6b. TÜRRAHMEN UND TÜRSCHWELLE

Türversteifung (7362) mittels Schrauben (7390) in der Türöffnung auf dem Bodenprofil (6b.1) (6b.2) befestigen.

Türlaufschiene (7351) neigen, um sie in das Schwellenprofil zu schieben und in Position bringen (6b.3). In der Mitte der Türöffnung platzieren und mittels Wanddübeln (2003) und Schrauben (2002) am Fundament anschrauben (6b.4).

Die Türseitenrahmen (7361) mit den Zwischenprofilen (7311) verschrauben. Wenn sie in Position gebracht sind, oben mit Schrauben (7052) und Muttern (7053) (6b.5) – (6b.8) verschrauben.

Unten Schrauben (7052) in die Kanäle auf beiden Seiten der Türschwelle (7363) (6b.9)



einführen und die Türschwelle an die richtige Stelle schieben (6b.10)(6b.11).

## 7. GLASÜBERSICHT

Bitte sortieren Sie die Verglasung anhand Ihrer Modellgröße und Verglasungsart bevor Sie beginnen. Wenn Sie Glas gewählt haben, dann sind die Scheiben E und F auf beiden Seiten identisch.

**Achtung** – Die UV-beständige Seite der Hohlkammerplatten ist durch eine Plastikfolie oder einen gedruckten Hinweis an den Kanten gekennzeichnet. **Diese Seite muss nach außen zeigen.** Lösen Sie die Folie vor dem Aufbau ca. 2 cm weit an allen Kanten. Wenn alle Scheiben eingesetzt sind, entfernen Sie die Folie vollständig von allen Scheiben.

### 7a. VERGLASUNG VON DACH / TRAUFE

Schieben Sie die Dachverglasung in die Führungsschienen der Dachprofile (7a.2) (7a.3).

Wenn zwei nebeneinander liegende Scheiben in Position sind, die Verglasungs-Stopp (7342) oder (7343) durch die vorgebohrten Löcher mit selbstschneidenden Schrauben (7349) auf dem dazwischen liegenden Dachprofil anbringen (7a.4) (7a.5). Die Scheiben sollten herunterrutschen und an diesen Stopps hängenbleiben.

**Achtung:** Stellen Sie sicher, dass die Firstdichtung (7414-7417) nach vorne gebogen ist über die Dachscheiben B (7a.6).

Das Traufenprofil (7324-7327) an der Nut des Traufenwinkels (7a.7) ansetzen und herunterziehen, um es gegen den Traufenwinkel zu drücken. Alternativ kann das Traufenprofil seitlich eingeschoben werden. Mit Schrauben (7052) von außen und Muttern (7053) von der Hausinnenseite mit dem Traufenwinkel verschrauben (7a.8).

Schieben Sie Abstandshalter (7424) über die Innenkante des Traufenwinkels (7a.10) und Abstandshalter (7425) über die Innenkante des Firstprofils (7a.11). Befestigen Sie (7425) mit Schrauben (7349) am First (7a.11).

**Achtung:** Die Bildung von Kondenswasser ist unvermeidlich in einem Gewächshaus mit Polycarbonat-Platten, sie kann jedoch reduziert werden durch Austausch der Teile (7424/7425) mit (7423\*). Die Folge wäre eine bessere Belüftung des Innenraumes, so dass die Bildung von Kondenswasser verringert würde. Bitte benutzen Sie die Schrauben (7349) um (7423\*) in der Mitte jedes Feldes an der Traufe und am First zu montieren (7a.12).

### 7b. SEITENVERGLASUNG

Bitte entscheiden Sie sich an dieser Stelle, in welche Felder Sie die beiden Seitenfenster einbauen wollen. **Achtung:** Die Fenster

können nicht in ein Feld an der Ecke oder direkt neben dem Türeingang montiert werden. Es muss eine komplette Sektion dazwischen liegen. Die Glasscheiben H werden dann anstelle der Glasscheiben A in diese Felder eingesetzt.

Glasdichtung (7382) jeweils in die obere Nut in (7381) drücken und passend schneiden.

Bei Verglasung mit Glas die Glasdichtung (6090) auf die Aluminiumprofile (7b.2) drücken und auf Länge schneiden.

**Achtung:** Es ist empfehlenswert, die Glasdichtungen (6090) auf allen horizontalen Glasführungen etwas kürzer zu schneiden und mittig zu platzieren. Dadurch kann Kondenswasser, das sich im Inneren ansammelt, entweichen.

**Achtung:** Bei Polycarbonat-Verglasung wird keine Gummidichtung benötigt.

Durch das Einführen der Schraubköpfe (7050) in die verschiedenen Führungen in der Abdeckleiste ist es möglich, das Gewächshaus mit ≤ 4 mm, 10 mm oder 16 mm starken Scheiben zu verglasen. (7b.2). Führen Sie in jede Abdeckleiste Schrauben (7050) ein, wie in (7b.3) gezeigt.

Für 10 mm Verglasung 1 Abstandshalter (7407) in die Mitte/oberhalb jeder Scheibe A (7b.4) einführen. Jede Glasscheibe A in den Rahmen schieben und die vertikalen Abdeckleisten (7372), (7373) oder (7374) lose mit den Muttern (7053) verschrauben.

Scheibe A 15 mm hoch anheben und mit den Abdeckleisten (7381) lose unter der Scheibe verbinden.

**Achtung:** Die Schrauben (7050), die benutzt wurden, um die Diagonalprofile in Schritt 1, 2 und 3 zu halten, müssen jetzt entfernt und neu montiert werden (7b.8).

Für 10 mm Verglasung 4 Abstandshalter (7409) jeweils auf (7321) und (7322) (2 Abstandshalter für jede Scheibe E und F) (7b.5) (7b.6) einfügen. Scheiben E und F justieren. Abdeckleisten (7377) oder (7378) montieren und dann (7375)/(7379) oder (7376) / (7380) lose einbauen.

**Alle Schrauben fest, aber nicht zu fest anziehen.**

**Achtung:** Die vertikalen Abdeckleisten lassen sich am besten montieren, wenn zuerst die obere Schraube, danach die mittlere und zuletzt die untere Schraube in das Loch eingesetzt werden. Stellen Sie sicher, dass die Abdeckleisten mit dem Bodenprofil in Kontakt bleiben.

## 8. MONTAGE SEITENFENSTER

Entfernen Sie die Muttern (7053) von den vertikalen Abdeckleisten (7372) an

den mittleren Profilen (7311) neben der Fensteröffnung. Schieben Sie (7053) und (7399) lose in die unteren Löcher der Fensterseitenrahmen (7311) oberhalb der Glasscheibe H (8.2) und montieren Sie die Kunststoffkappe (7053) neu (8.3) (8.4).

Schieben Sie (7053) und (7399) in das untere Loch des Fensterbankprofils (7452). Drehen Sie das Profil so weit, dass es die Glasscheibe H und die mittlere sichtbare Mutter an beiden Seiten (7452) abdeckt (8.5). Befestigen Sie die mittleren sichtbaren Muttern (7053) wieder (8.6).

Befestigen Sie das Fensterscharnier (7419) mit den Schrauben (7088) an den Fensterrahmen (7455) und (7456) (8.7). **Achtung:** Benutzen Sie ausschließlich die dafür vorgesehenen Löcher im Scharnier.

Befestigen Sie das vormontierte Fenster (siehe Schritt 5) mittels Schrauben (7088) an den Seitenprofilen mit den Fensterscharnieren (7419). **Achtung:** Benutzen Sie ausschließlich die dafür vorgesehenen Löcher im Scharnier.

Schließen Sie das Fenster und stellen Sie sicher, dass es über dem Fensterbankprofil (7452) ohne Kontakt schließt. Die Fensterhöhe kann mit Hilfe der Löcher im Scharnier (7419) justiert werden. Wenn das Fenster richtig justiert ist, fixieren Sie dieses indem Sie zusätzliche Schrauben in die übrigen Löcher schrauben.

Montieren Sie die Einrastzapfen (6056) am Fensterbankprofil (7452) mittels Schrauben (7403) (8.9). Platzieren Sie diese durch Ausrichtung mit den langen Löchern im Fensteraufsteller (7090) wenn das Fenster geschlossen ist (8.10). Wenn das Fenster geschlossen ist, kann der Fensterausteller (7090) an beiden Einrastzapfen (6056) eingerastet werden um das Fenster fest zu schließen. (8.10).

**Achtung:** Wenn sich die Bürstendichtung (7457) im oberen Fensterprofil (7450) verschiebt wenn das Fenster geschlossen wird, kann diese entsprechend gekürzt werden, Details siehe (5.10).

Verfahren Sie für die Montage des anderen Fensters genauso.

## 9. DIE LETZTEN HANDGRIFFE

Führen Sie die Regenrinnenanschlussstücke (7370) und (7371) in beide Enden des Traufenprofils (7324-7327) (9.1) (9.2) ein.

**Achtung:** Es kann helfen, das Traufenprofil an der oberen Kante vorsichtig vom Haus weg zu ziehen, so dass die Öffnung für den Kunststoff größer wird.

Führen Sie die Hammerkopfschrauben (1412) in den Schraubenkanal am unteren Ende des

Eckprofils (7310) ein und verschrauben Sie (1405) und (1409) mit der Aluminium-Mutter (1002) auf beiden Seiten (9.3). Montieren Sie das Kniestück (1402) am Ende des Regenablaufrohrs (1415) (9.6) und verbinden Sie dieses mit den Regenrinnenanschlussstücken (7370) oder (7371) (9.9). Die Fallrohrklammer (1403) um das Fallrohr spannen und mit (1409) verbinden (9.4). Schraube (1006) hineinstecken um das Regenablaufrohr zu fixieren (9.5).

Türführung (7359) in die Türöffnung einbauen. An (7321), (7322) oder (7324-7327) mittels Schrauben (7052), die in den Schraubenkanal an der Außenseite dieser Profile eingeführt werden und Muttern (7053) befestigen. (9.8).

An beiden Enden des Türführungsprofils (7359) Schrauben (7352) von oben einsetzen und mit Muttern (3002) von unten befestigen, um die Öffnung der Tür zu begrenzen. (9.8) (9.9).

Die Kunststoff-Türführung (2771) in das Türführungsprofil (7359) (9.10) (9.11a) einschieben und dann die Rollen unten auf die Türlaufschiene setzen (7351) (9.11b). Die Türfesthalter (7350) unter der Nase (7351) einhaken und die Türrollenschrauben (7360) festziehen (9.11).

Die Kunststoffkappen (6070) auf alle sichtbaren Muttern (7053) im Haus drücken (9.12).

**Achtung:** Es ist zu empfehlen, neutralvernetzendes Silikon zwischen Firstprofil und Wand von außen zu verwenden (9.7). Neutralvernetzendes Silikon gehört nicht zum Lieferumfang.

## ABSCHLUSSARBEITEN

Optional können Sie das Gewächshaus auch noch in den Ecken mit neutral vernetzendem Silikon abdichten. Hierfür ist kein Silikon im Lieferumfang enthalten.

Den beiliegenden Warnaufkleber von innen aufkleben.

Bitte überprüfen Sie 2 Wochen nach dem Aufbau, ob alle Schrauben fest sitzen.

Ihr Händler hält ein reichhaltiges Sortiment an Gewächshaus-Zubehör für Sie bereit. Sprechen Sie ihn an.

## SICHERHEITSHINWEIS

Bei starkem Wind sollten alle Öffnungen und die Tür geschlossen sein. Dächer von Gewächshäusern sind rechtzeitig von Schnee zu räumen, so dass keine gefährliche Schneebelastung eintreten kann. Heizen Sie das Gewächshaus im Winter.

## ANMERKUNGEN

Zum vollen Schutz des Gewächshauses empfehlen wir, es mit in Ihre Hausversicherung einzuschließen. Beachten Sie eventuell vorhandene örtliche Bauvorschriften.

Den mitgelieferten Typaufkleber nach erfolgter Montage des Gewächshauses auf das Radgehäuse (7352) oder (7353) kleben. Die Typbezeichnung benötigen Sie zur Angabe bei der Bestellung evtl. benötigter Ersatzteile.

Bitte heben Sie die Montageanleitung auf!

Alle Maßangaben sind Annäherungswerte, Änderungen vorbehalten.

# Mesures préventives de sécurité

## 1. MERCI DE LIRE CES INSTRUCTIONS INTÉGRALEMENT AVANT DE COMMENCER LE MONTAGE !

- Toujours porter des lunettes et des gants de protection, des chaussures de sécurité et un casque lors de la manipulation du verre, des panneaux alvéolaires ou des éléments de la serre étant donné que les rebords coupants peuvent provoquer des blessures. Le verre brisé constitue un risque. Merci de l'éliminer avec la prudence qui s'impose.
- La serre que vous venez d'acquérir a été conçue pour la culture de plantes et doit être utilisée exclusivement dans cet objectif. Nous excluons toute responsabilité en cas d'autre utilisation.
- Deux personnes sont nécessaires pour réaliser le montage de cette serre.
- Lors de l'utilisation d'une échelle, la faire toujours sécuriser par une deuxième personne.
- Si vous deviez rencontrer des difficultés lors du montage de la structure ou de l'installation du vitrage, merci de contacter votre revendeur – **N'ayez pas recours à la force !**
- La serre doit être ancrée.

## Description du montage

### CHOIX DE L'EMPLACEMENT

Choisissez l'emplacement le plus ensoleillé mais aussi le mieux protégé du vent.

### IMPORTANT

Avant de commencer le montage de votre serre, vérifiez que vous disposez de toutes les pièces telles qu'elles sont indiquées dans la liste. Retirez les différents paquets de l'emballage pour mieux les identifier. Il est important de ne pas mélanger les paquets ouverts. Si, malgré nos contrôles attentifs, un élément devait manquer, merci de contacter votre revendeur.

**Attention** – Le côté résistant aux UV des panneaux alvéolaires est marqué par un film plastique ou un avis imprimé sur le rebord. **Ce côté doit être tourné vers l'extérieur !**

Pour bien colmater la serre correctement, il est recommandé d'utiliser une silicone réticulée neutre comme indiqué sur les illustrations (4b.4), (4b.5), (7a.7) et (7a.9). La silicone est jointe à la livraison.

### OUTILS NÉCESSAIRES

Tournevis (à fente et cruciforme PH2)

Marteau en caoutchouc

2 échelles (de 1,80 m)

Clé à disques de 10 mm

Clé mixte

Couteaux

Mètre pliant

Niveau à bulle

Perceuse-visseuse sans fil avec moment de force réglable.

### MAINTENANCE

La serre doit être nettoyée de temps en temps à fond avec un produit nettoyant doux au pH neutre. Les vitres peuvent être nettoyées avec un produit doux qui n'attaque ni les pièces en

plastique ni le cadre en aluminium ni les pincés à ressort des vitres. Nettoyez régulièrement le rail de la porte.

### 0. FOUNDATION

**Important !** Les fondations doivent être parfaitement perpendiculaires et planes. Pour cela, vous avez besoin d'un niveau à bulle et d'une équerre.

**Attention** : si l'écart entre les deux angles opposés est identique alors les fondations sont perpendiculaires.

Pour le montage de cette serre, nous recommandons des fondations solides en béton, en briques ou en maçonnerie. Si vous n'avez aucune expérience dans la construction de telles fondations, engager plutôt une entreprise spécialisée dans ce genre de travaux. Le matériel et les outils nécessaires à l'installation des fondations ne sont pas compris dans la livraison.

Ces fondations recommandées permettent d'installer la porte sur n'importe quel côté.

Les fondations doivent être à l'abri du gel.

**Tous les schémas représentent la vue de l'intérieur de la construction exception faite des illustrations imprimées dans un double encadré qui décrivent elles la vue de l'extérieur.**

### 1. PAROIS LATÉRALES

**Attention** : si la porte doit être installée sur la façade avant de la construction, retirez un des profilés intermédiaires (7311)ⓐ.

Enfoncez le joint en silicone (7396) dans le profilé de sol (7304-7307) et découpez-le dans le sens de la longueur (1.1) (1.2).

Placez toutes les pièces sur le sol, insérez les vis (7052) dans les canaux des vis et

vissez-les légèrement. Veillez à ce que les équerres de gouttière (7314-7317) soient enfoncées dans les coins des piliers d'angle (7310) (1.3) (1.4) et à ce que les profilés d'angle (7310) et intermédiaires (7311) soient placés exactement sur le rebord de montage de l'équerre de gouttière (1.9) (1.12).

Monter les profilés diagonaux (7312) sur les deux côtés (1.3) (1.4) (1.10) (1.11). Les fixer au profilé de sol en serrant les vis (7050) légèrement. Retirer les (7050) pendant le vitrage (étape 7b).

### 2. EXTRÉMITÉ DU PIGNON SANS PORTE

**Attention** : quand la porte doit être installée sur ce côté de la construction, retirer le profilé intermédiaire (7311)ⓐ.

Enfoncer le joint (7396) dans le profilé de sol (7301) et le profilé mural (7344) et le couper à la bonne longueur (2.1) (2.4).

Placez toutes les pièces sur le sol et vissez-les légèrement en insérant les vis (7052) dans les canaux de vis. Fixer le profilé de gouttière (7321) sur le logement du profilé mural (7344) (2.5) (2.6) et monter ensuite le profilé mural (7344) sur le profilé du sol (7301) (2.7) (2.8). Monter les profilés intermédiaires (7311) (2.9) (2.10) bord à bord sur le profilé du sol (7301) et le profilé de gouttière (7321) (2.11).

Fixer le profilé diagonal (7313) (2.5) (2.6) (2.11) (2.12). Le monter sur le seuil en le serrant légèrement avec les vis (7050). Retirer les vis (7050) pendant le vitrage (étape 7b).

### 3. EXTRÉMITÉ DU PIGNON AVEC PORTE

**Attention** : quand la porte doit être installée sur un autre côté, fixer le profilé intermédiaire (7311)ⓐ qui a été retiré auparavant sur la position ⓐb.

Monter tous les éléments comme indiqué à l'étape 2.

#### 4a. ASSEMBLAGE DES DIFFÉRENTS ÉLÉMENTS

(4a.1) montre le montage quand la porte est installée sur la façade avant de la construction.

Enfoncer le joint (7396) dans le profilé de fait (7334-7337) et découpez-le dans le sens de la longueur. Vérifiez que le joint (7414-7417) est inséré correctement dans le guidage du profilé de faite (4a.2) (4a.3).

Serrer les vis (7052) et les écrous (7053) légèrement dans les profilés de sol (7301) et (7302) comme indiqué sur l'ill. (4a.4). Monter les piliers d'angle (7310) avec les têtes de vis (7052) dans les deux canaux de vis (7310) (4a.5).

Fixer les profilés de gouttière (7321) et (7322) aux piliers d'angle (7310) et s'assurer qu'ils sont pressés contre le profilé d'angle de gouttière (4a.6).

Fixer les profilés de pignon aux angles de gouttière (4a.7) (4a.8). Assurez-vous que les profilés d'angle du pignon sont en place exactement sur le rebord de montage de l'équerre de gouttière (4b.6) et que les petits trous se trouvent sur le côté extérieur de (7428/7429) sur l'extrémité de la gouttière (4a.7).

Monter le profilé de faite (7334-7337) sur les profilés d'angle de pignon (7428) (7429) et les profilés muraux (7344) (7345) (4a.9) (4a.10) à l'aide de l'équerre (7348). Montez les profilés intermédiaires supérieurs au moyen de l'équerre (7348) sur les profilés d'angle de pignon. (4a.11).

Placez le cadre assemblé contre le mur sur les fondations préparées. Vérifiez qu'il est bien perpendiculaire et percez des trous de 6 de Ø à travers les trous prépercés sur (7301), (7302), (7304-7307), (7344) et (7345) sur le mur et sur les fondations. Insérez les fixations murales (7421) ou (7422) dans les trous et fixez-les en les vissant légèrement avec les vis (7411) et (7412) sur les fondations et au mur (4a.12).

#### 4b. PROFILÉS INTERMÉDIAIRES DE TOIT

Fixer (7052) et (7053) au profilé de faite en les vissant légèrement. Mettre le profilé central (7472) en place et insérer les têtes de vis (7052) dans les deux canaux de (7472) (4b.1) (4b.2).

**Attention :** assurez-vous que le joint du faite (7414-7417) est plié vers l'avant au-dessus du profilé intermédiaire du toit (7472) (4b.3).

Insérer (7052) dans le canal de vis du profilé central (7472) sur le côté de la gouttière et l'abaisser avec les rondelles (7395) et les écrous (7053) (4b.4) (4b.5). Assurez-vous que le profilé central (7472) est en place directement contre sur le rebord de montage de l'équerre de gouttière (4b.6) et que le **petit**

#### trou se trouve bien sur le côté extérieur de (7472) sur l'extrémité de la gouttière (4b.7).

Percez des trous de 6 de Ø dans (7334-7337) Insérez les chevilles murales (7422) dans les trous et vissez le profilé de faite au moyen des vis (7412) au mur en les serrant légèrement (4b.8).

Ajuster la construction jusqu'à ce qu'elle soit parfaitement à angle droit puis serrer toutes les vis (7411) (7412) et tous les écrous (7053) à fond. **Les vis doivent être serrées mais pas trop.**

Mettre les goussets en tôle (7331) en place entre chaque profilé intermédiaire latéral (7311) et le profilé central de toit (7472) en insérant les vis à tête de marteau (7399) dans les canaux de vis (4b.9) (4b.10).

#### 5. FENÊTRE LATÉRALE

Visser le profilé de fenêtre inférieur (7451) avec les profilés latéraux (7453) et (7454) (5.2) (5.3) Insérer la vitre D dans les guidages correspondants (5.5) des profilés montés (5.4) (5.5). Enfoncer (7052) et (7053) dans le profilé de fenêtre supérieur (7450) en les serrant légèrement et les insérer sur (7453) et (7454), les têtes de vis de (7052) doivent alors être introduits dans les canaux de vis et le vitrage dans les canaux de vitrage (5.6) (5.7).

**Attention :** si vous avez choisi un vitrage de 4 mm, découpez le joint (7420) aux dimensions correspondantes et enfoncez-le dans les canaux de vitrage sur le côté intérieur de la fenêtre pour fixer la vitre (5.8) (5.9) Vérifiez que la fenêtre est bien perpendiculaire avant de serrer toutes les vis à fond.

#### Les vis doivent être serrées mais pas trop.

Enfoncer les brosses de colmatage (7457) en une pièce dans les guidages de la porte et les profilés latéraux (7454) (7450) (7453) (5.10) par le haut et les découper à la longueur désirée.

**Attention :** si la brosse de colmatage (7457) se décale visiblement quand on ferme la fenêtre (voir étape 8), elle peut alors être raccourcie (5.10).

Monter le mécanisme d'ouverture et de fermeture de custode (7090) au moyen de la plaque de calage (7413) et de deux vis (7349) (7349) (5.11) (5.12).

Enfoncer les bouchons en plastique (6070) sur toutes les vis (7053) (5.13).

#### 6a. PORTES COULISSANTES

Enfoncer les brosses de colmatage (7332) dans les guidages de la porte (7352) (7353) (7355) (7356) (7357) (6a.2) et les découper à la longueur désirée.

Fixer les roulettes de coulissage de la porte (7364) sur les profilés de porte inférieurs

(7355) en les vissant légèrement avec des entretoises (7392) sur chaque côté des roulettes, des vis (7393), le serre-flanc (7350) et des écrous autotaraudeurs (7360) (6a.3) Visser les profilés de porte inférieurs (7355) avec les profilés latéraux (7357) ou (7358). (6a.3) (6a.7a).

Raccorder les profilés centraux de la porte (7354) et (7384) avec la serrure à pêne dormant à boîtier (7400) (7401) et (7402) au moyen des vis (7404). Fixer les étais latéraux (7357) ou (7358) avec les vis (7052), les écrous (7053) et les vis (7405) (6a.4) (6a.5) (6a.8). **Les vis (7404) et (7405) doivent être serrées mais pas trop.**

Visser le profilé de porte supérieur (7352) ou (7353) avec les profilés de porte latéraux (7357) ou (7358) (6a.6) (6a.7b).

Insérer les vitres G dans les rails de vitrage des éléments montés (6a.9).

Enfoncer (7052) et (7053) dans le profilé latéral de la porte (7356) en les serrant légèrement, les insérer sur (7355), (7354) ou sur (7384) et (7352) ou (7353) et ajuster les têtes de vis (7052) aux canaux de vis et le vitrage aux canaux de vitrage (6a.9) (6a.10). Insérer les guidages de la porte (2271) dans les deux portes par le haut (6a.6).

**Attention :** si vous avez choisi un vitrage de 4 mm, découpez le joint de glace (7420) aux dimensions correspondantes et enfoncez-le dans les canaux de vitrage sur le côté intérieur de la porte pour fixer la vitre. (6a.11).

#### 6b. CADRE ET SEUIL DE LA PORTE

Fixer le raidissement de la porte (7362) au moyen des vis (7390) sur le profilé de sol dans l'ouverture de la porte (6b.1) (6b.2).

Incliner le rail de la porte (7351) pour l'insérer dans le profilé de seuil et le mettre en position (6b.3). Le placer au centre de l'ouverture de la porte et le visser aux fondations au moyen des chevilles murales (2003) et des vis (2002) (6b.4).

Visser les cadres latéraux de la porte (7361) aux profilés intermédiaires (7311). Une fois qu'ils sont en position, les visser en haut avec les vis (7052) et les écrous (7053) (6b.5) à (6b.8).

Insérer les vis (7052) en bas dans les canaux sur les deux côtés du seuil de la porte (7363) (6b.9) et pousser le seuil sur sa bonne position (6b.10) (6b.11).

#### 7. APERÇU DES VITRES

Merci de trier le vitrage à l'aide de la taille du modèle et du type de vitrage avant de



commencer. Si vous avez choisi le verre, les vitres E et F sont alors identiques des deux côtés.

**Attention** – Le côté résistant aux UV des panneaux alvéolaires est marqué par un film plastique ou un avis imprimé sur le rebord. **Ce côté doit être tourné vers l'extérieur.** Retirez le film sur 2 cm environ sur chaque rebord. Quand toutes les vitres sont installées, retirez le film entièrement de toutes les vitres.

### 7a. VITRAGE DU TOIT / DE LA GOUTIÈRE

Insérez le vitrage du toit dans les rails de guidage des profilés du toit (7a.2) (7a.3).

Quand deux vitres sont placées l'une à côté de l'autre, poser les arrêts des vitrages (7342) ou (7343) dans les profilés du toit à travers les trous prépercés avec des vis autotaraudeuses (7349) sur le profilé de toit situé entre les deux (7a.4) (7a.5). Les vitres doivent alors glisser vers le bas jusqu'à ces arrêts et y rester.

**Attention** : assurez-vous que le joint du faîte (7414-7417) est plié vers l'avant au-dessus des vitres du toit B (7a.6).

Placer le profilé de gouttière (7324-7327) sur la rainure de l'équerre de gouttière (7a.7) et le tirer vers le bas pour le presser contre l'équerre de gouttière. Il est également possible d'insérer le profilé de gouttière latéralement. Le visser à l'équerre de gouttière avec les vis (7052) insérées à l'extérieur et les écrous (7053) insérés de l'intérieur de la construction (7a.8).

Insérez l'entretoise (7424) sur le rebord intérieur de l'équerre de gouttière (7a.10) et l'entretoise (7425) sur le rebord intérieur du profilé de faîte (7a.11). Fixez-les (7425) avec les vis (7349) au faîte (7a.11).

**Attention** : la formation d'eau de condensation est inévitable dans une serre avec des panneaux en polycarbonate, elle peut cependant être réduite en remplaçant les pièces (7424/7425) par (7423\*). On obtient ainsi une meilleure aération de l'intérieur si bien que la formation d'eau de condensation est réduite. Merci d'utiliser les vis (7349) pour monter (7423\*) au centre de chaque champ sur la gouttière et sur le faîte (7a.12).

### 7b. VITRAGE LATÉRAL

Merci de choisir ici les champs dans lesquels vous souhaitez monter les fenêtres latérales.

**Attention** : les fenêtres ne peuvent pas être montées dans un champ d'angle ni directement à côté de la porte d'entrée. Elles doivent être séparées par une section entière. Les vitres H sont alors utilisées à la place des vitres A dans ces champs.

Enfoncer le joint de glace (7382) dans

chacune des rainures supérieures dans (7381) et le couper à la bonne longueur.

Dans le cas des vitrages avec verre, enfoncer le joint de glace (6090), sur les profilés en aluminium (7b.2) et les couper à la bonne longueur.

**Attention** : il est recommandé de raccourcir légèrement les joints de glaces (6090) sur tous les guidages de verre horizontaux et de les centrer. Ainsi, l'eau de condensation qui s'accumule à l'intérieur peut être évacuée.

**Attention** : les vitrages en polycarbonate ne nécessitent pas de joint en caoutchouc.

En insérant les têtes de vis (7050) dans les différents guidages des caches, il est possible d'équiper la serre de vitres de ≤ 4 mm, 10 mm ou 16 mm d'épaisseur. (7b.2). Insérez les vis (7050) dans chaque cache comme indiqué sur l'illustration (7b.3).

Pour les vitrages de 10 mm, insérer 1 entretoise (7407) au centre/ au-dessus de chaque vitre A (7b.4). Insérer chaque vitre A dans le cadre et visser les caches verticaux (7372), (7373) ou (7374) légèrement avec les écrous (7053).

Soulever la vitre A sur 15 mm et la raccorder avec les caches (7381) en les vissant légèrement sous la vitre.

**Attention** : les vis (7050) qui ont été utilisées pour maintenir les profilés diagonaux aux étapes 1, 2 et 3 doivent à présent être retirées et montées à nouveau (7b.8).

Pour les vitrages de 10 mm, insérer 4 entretoises (7409) sur (7321) et sur (7322) (2 entretoises pour chaque vitre E et F) (7b.5) (7b.6). Ajuster les vitres E et F. Monter les caches (7377) ou (7378) et installer ensuite (7375) / (7379) ou (7376) / (7380) en les vissant légèrement.

**Les vis doivent être bien serrées mais pas trop.**

**Attention** : le moyen le plus facile de monter les caches verticaux est d'insérer tout d'abord la vis supérieure, puis celle du milieu et enfin celle inférieure dans le trou. Assurez-vous que les caches restent en contact avec le profilé de sol.

### 8. MONTAGE DES FENÊTRES LATÉRALES

Retirez les écrous (7053) des caches verticaux (7372) sur les profilés centraux (7311) à côté de l'ouverture de la fenêtre. Insérez (7053) et (7399) dans les perçages inférieurs des cadres des fenêtres latérales (7311) au-dessus de la vitre H (8.2) en les vissant légèrement et remontez les bouchons en plastique (7053) (8.3) (8.4).

Insérez (7053) et (7399) dans le trou inférieur du profilé du rebord de la fenêtre (7452).

Faites tourner le profilé jusqu'à ce qu'il couvre la vitre H et l'écrou central visible des deux côtés (7452) (8.5). Fixez à nouveau les écrous centraux visibles (7053) (8.6).

Fixez les charnières de la fenêtre (7419) aux cadres (7455) et (7456) avec les vis (7088) (8.7).

**Attention** : utilisez ici exclusivement les trous dans les charnières prévus à cet effet.

Fixez la fenêtre prémontée (voir étape 5) avec les vis (7088) aux profilés latéraux avec les charnières de la fenêtre (7419).

**Attention** : utilisez ici exclusivement les trous dans les charnières prévus à cet effet.

Fermez la fenêtre et assurez-vous qu'elle se ferme bien sans entrer en contact avec le profilé du rebord de la fenêtre (7452). La hauteur de la fenêtre peut être ajustée au moyen des trous des charnières (7419). Quand la fenêtre est ajustée correctement, fixez-la en vissant des vis supplémentaires dans les trous restants.

Montez les pignons enfichables (6056) sur le profilé du rebord de la fenêtre (7452) au moyen des vis (7403) (8.9). Placez-les en orientant les trous oblongs dans le mécanisme d'ouverture et de fermeture de custode (7090) quand la fenêtre est fermée (8.10). Quand la fenêtre est fermée, le mécanisme d'ouverture et de fermeture de custode (7090) peut être enclenché dans les deux pignons enfichables (6056) pour fermer la fenêtre. (8.10).

**Attention** : si la brosse de colmatage (7457) se décale quand on ferme la fenêtre, elle peut alors être raccourcie, voir détails (5.10).

Procédez de la même manière pour le montage de l'autre fenêtre.

### 9. LES DERNIERS GESTES

Insérez les pièces de raccord des gouttières (7370) et (7371) dans les deux extrémités du profilé de gouttière (7324-7327) (9.1) (9.2).

**Attention** : pour vous aider, vous pouvez tirer prudemment le profilé de gouttière sur le rebord supérieur pour l'éloigner de la construction de manière à agrandir l'ouverture pour le plastique.

Insérez les vis à tête de marteau (1412) dans le canal de vis sur l'extrémité inférieure du profilé d'angle (7310) et vissez (1405) et (1409) avec l'écrou en aluminium (1002) sur les deux côtés (9.3). Montez le coude (1402) sur l'extrémité du tuyau d'évacuation des pluies (1415) (9.6) et raccordez-le avec les raccords des gouttières (7370) ou (7371) (9.9). Serrer les pinces de tuyau de descente (1403) autour du tuyau de descente et les raccorder avec (1409) (9.4). Insérer la vis (1006) pour fixer le tuyau d'écoulement des pluies (9.5).

Monter le guidage de la porte (7359) dans l'ouverture de la porte. Le fixer à (7321), (7322) ou (7324-7327) au moyen de vis (7052) insérées dans le canal de vis sur le côté extérieur de ce profilé et d'écrous (7053). (9.8).

Insérer des vis (7352) par le haut dans les deux extrémités du profilé de guidage de la porte (7359) et les fixer par le bas avec les écrous (3002) pour limiter l'ouverture de la porte. (9.8) (9.9).

Mettre le guidage en plastique de la porte (2771) en place dans le profilé de guidage de la porte (7359) (9.10) (9.11a) puis insérer les roulettes dans le rail de la porte par le bas (7351) (9.11b). Accrocher le serre-flanc de la porte (7350) sous le nez (7351) et serrer à fond les vis des roulettes des portes (7360) (9.11).

Enfoncer les bouchons en plastique (6070) sur tous les écrous visibles (7053) de la construction (9.12).

**Attention** : il est recommandé d'utiliser de la silicone à réticulation neutre entre le profilé de façade et le mur de l'extérieur (9.7). La silicone à réticulation neutre n'est pas comprise dans la livraison.

#### FINITION DES TRAVAUX

En option, vous pouvez également colmater les coins avec de la silicone réticulée neutre. La silicone nécessaire ici n'est pas contenue dans la livraison.

Coller l'autocollant d'avertissement ci-joint à l'intérieur.

Merci de contrôler que toutes les vis sont encore bien en place 2 semaines après la construction.

Votre revendeur tient une vaste gamme d'accessoires pour serres à votre disposition. Contactez-le.

#### CONSIGNES DE SECURITÉ

En cas de vent fort, toutes les ouvertures et toutes les portes doivent être fermées. La neige présente sur les toits des serres doit être déblayée à temps de manière à éviter toute charge dangereuse due à la neige..  
Chauffez la serre pendant l'hiver.

#### REMARQUES

Pour protéger votre serre au maximum, nous recommandons de l'inclure à votre couverture d'assurance ménagère. Prenez en compte les éventuelles réglementations locales en vigueur.

Coller l'autocollant signalétique fourni sur le boîtier des roulettes (7352) ou (7353) une fois le montage terminé. Vous aurez besoin de

cette désignation pour commander d'éventuelles pièces de rechange.

Merci de conserver les instructions de montage !

Toutes les dimensions indiquées sont des valeurs approximatives, sous réserve de modifications.

# Veiligheidsvoorschriften

1. **LEEST U EERST DE GEHELE INSTRUCTIES DOOR ALVORENS TE BEGINNEN MET DE OPBOUW VAN DE KAS.**
2. Scherpe hoekjes en randen kunnen tot verwondingen leiden. Draag altijd een veiligheidsbril, beschermende handschoenen, schoenen en hoofdbedekking als u werkt met de aluminium profielen, glas- en polycarbonaat platen. Gebroken glas is een veiligheidsrisico - u dient het veilig en meteen op te ruimen.
3. Het product dat u hebt gekocht is alleen bestemd voor het kweken van planten en dient uitsluitend voor dit doel te worden gebruikt. Wanneer het voor andere doeleinden zal worden gebruikt, dragen wij hier geen verantwoordelijkheid voor.
4. Wij raden u aan de kas met twee personen in elkaar te zetten.
5. Wanneer een trapladder wordt gebruikt, dient één persoon deze altijd te stabiliseren terwijl de andere werkt.
6. Mocht u problemen hebben met het bouwen van deze kas of het inpassen van de glas- of polycarbonaat platen, neem dan contact op met uw leverancier.  
– **Gebruik geen geweld!**
7. De kas moet altijd worden verankerd.

## Montage Instructies

### KIEZEN PLAATS

Probeer altijd een zonnige plaats te kiezen die zoveel mogelijk tegen wind beschermt is.

### BELANGRIJK

Controleer a.u.b. of u alle onderdelen op de meegeleverde lijst hebt voordat u begint aan het in elkaar zetten van uw nieuwe kas. Haal a.u.b. elk pakket uit de doos om de onderdelen beter te identificeren.

Het is belangrijk dat de open pakketten niet door elkaar gehaald worden.

Als er onderdelen ontbreken, neem dan a.u.b. contact op met uw leverancier.

**N.B.** - De UV-bestendige kant van de polycarbonaat ruiten wordt aangegeven door de kunststoffolie en de bedrukking op de rand.  
**Deze kant moet naar buiten zitten.**

Om de kas effectief af te dichten wordt geadviseerd dat u neutrale silicone toepast zoals op tekening (4b.4), (4b.5), (7a.7) en (7a.9). Er wordt voor dit doel silicone meegeleverd.

### VEREISTE GEREEDSCHAPPEN

Schroevendraaiers (normaal en kruiskop PH2)  
Rubberen hamer  
2 x 1,8 m ladder  
10 mm moer- of steeksleutel  
10 mm combinatiesleutel  
Stanley mes  
Maatstok  
Waterpas  
Accuboormachine met instelbaar moment

### ONDERHOUD

Om uw kas schoon te houden dient deze af toe grondig gereinigd te worden met een zacht reinigingsmiddel. Zorg er a.u.b. voor dat het reinigingsmiddel niet agressief reageert met

aluminium of kunststof.

Om te voorkomen dat zich vuil ophoopt in de deurrails, zal men deze regelmatig moeten schoonmaken.

### 0. FUNDERING

**Belangrijk!** Let op dat de fundering haaks en waterpas staat. Om dit te bereiken zult u een waterpas en een rechte hoek nodig hebben.

**N.B.** - Als de afstand tussen de twee tegenover elkaar liggende hoeken gelijk is, dan is de fundering haaks.

Voor het opbouwen van de kas adviseren wij een stabiele, van beton, metsel- of steenwerk gemaakte fundering.

Als u geen ervaring hebt met het maken van een dergelijke fundering, moet u een bedrijf raadplegen dat zich in dit werk specialiseert.

Er worden geen materialen en gereedschappen meegeleverd om de geadviseerde fundering voor te bereiden.

Door de geadviseerde fundering kan de deur aan iedere kant van de kas worden gemonteerd.

De fundering moet tot beneden de vorstgrens zitten.

**Op de tekeningen met het enkelvoudige frame wordt de binnenkant van de kas getoond. Op de tekeningen met het dubbele frame wordt de kas van de buitenkant bekeken.**

### 1. ELEMENTEN VAN DE VOORKANT

**N.B.** - Als de deur aan de voorkant van de kas wordt gemonteerd, verwijder dan één van de middenprofielen (7311)Ⓞ.

Duw de afdichting (7396) in het kalfje (7304 - 7307) en snij deze voor beide einden passend af (1.1) (1.2).

Leg al deze onderdelen, volgens het model, op de grond en verbind deze losjes door boutjes (7052) in de boutkanalen te steken. Zorg ervoor dat de hoeken van de zijkant (7314 - 7317) in de hoek van beide hoekbalken (7310) (1.3) (1.4) worden gedrukt en dat de hoekbalken (7310) en middenbalken (7311) op de juiste wijze op de montagerand op de hoek van de zijkant (1.9) (1.12) liggen.

Monteer de diagonale balken (7312) aan beide kanten (1.3) (1.4) (1.10) (1.11). Maak deze bij het kalfje losjes vast m.b.v. een boutje (7050). (7050) zal tijdens de beglazing worden verwijderd (paragraaf 7b).

### 2. ACHTERGEVEL

**N.B.** - Als de deur aan deze kant van de kas wordt gemonteerd, verwijder dan het middenprofiel (7311)Ⓞ.

Duw de afdichting (7396) in het kalfje (7301) en het muurprofiel (7344) en snij deze voor beide einden passend af (2.1) - (2.4).

Leg al deze onderdelen op de grond en verbind deze losjes door boutjes (7052) in de boutkanalen te steken. Monteer het eindprofiel (7321) in de uitsparing in het muurprofiel (7344) (2.5) (2.6) en dan (7344) op het kalfje (7301) (2.7) (2.8). Monteer de middenprofielen (7311) (2.9) (2.10).

Monteer het diagonale profiel (7313) (2.5) (2.6) (2.11) (2.12). Maak deze bij het kalfje losjes vast m.b.v. een boutje (7050). (7050) zal tijdens de beglazing worden verwijderd (paragraaf 7b).

### 3. DEURGEVEL

**N.B.** - Als de deur aan een andere kant moet worden gemonteerd, monteer dan (7311)Ⓞ, die eerder is verwijderd, op positie Ⓞb.

Monteer alle onderdelen zoals in paragraaf 2.



#### 4a. HET SAMENVOEGEN VAN DE ZIJ-ELEMENTEN

Op (4a.1) staat de 4a-montage als de deur aan de voorkant van de kas moet zitten.

Duw de afdichting (7396) in de nokbalk (7334 - 7337) en snij deze voor beide einden passend af. Controleer of de afdichting (7414 - 7417) correct in de geleider in de nokbalk is gestoken. (4a.2) (4a.3).

Prepareer boutjes (7052) en moeren (7053) losjes in de profielen van het kalfje (7301) en (7302) zoals op de tekening (4a.4). Laat de hoekprofielen (7310) zakken en monteer de boutkoppen van (7052) in de boutkanalen van (7310) (4a.5).

Verbind de eindprofielen (7321) en (7322) met de hoekprofielen (7310) en zorg ervoor dat zij tegen het hoekprofiel van de zijkant worden gedrukt (4a.6).

Monteer de hoekprofielen van het dak op de hoek van de zijkant (4a.7) (4a.8). Zorg ervoor dat de hoekbalken van het dak correct op de montagerand op de hoek van de zijkant (4b.6) liggen en dat de gaatjes aan de buitenkant van (7428 / 7429) op het eind van de zijkant zitten (4a.7).

Monteer de nokbalk (7334 - 7337), de hoekprofielen van het dak (7428) (7429) en de muurprofielen (7344) (7345) (4a.9) (4a.10) m.b.v. plaat (7348).

Monteer centrale eindprofielen (7346) (7347) op de eindprofielen en de hoekprofielen van het dak m.b.v. plaat (7348) (4a.11).

Plaats het gemonteerde frame tegen de muur op de geprepareerde fundering, controleer of dit waterpas is en boor gaten met Ø 6 door de voorbereide gaten in (7301), (7302), (7304 - 7305), (7344) en (7345) op de muur en fundering. Installeer muurpluggen (7421) of (7422) in de gaten en verbind deze losjes met de fundering en de muur m.b.v. schroeven (7411) en (7412) (4a.12).

#### 4b. MIDDENPROFIELEN VAN HET DAK

Prepareer (7052) en (7053) losjes in de nokbalk, schuif de middenprofielen (7472) op hun plaats en monteer de boutkoppen van (7052) in de boutkanalen van (7472) (4b.1) (4b.2).

**Opmerking:** Zorg ervoor dat de nokafdichting (7414 - 7417) naar voren is gebogen over de middelste dakbalken (7472) (4b.3).

Installeer (7052) in het boutkanaal in (7472) bij de zijkant en laat deze zakken op de hoek van de zijkant m.b.v. ringafdichting (7395) en moertje (7053) (4b.4) (4b.5). Zorg ervoor dat (7472) correct op de montagerand op de hoek van de zijkant (4b.6) liggen en dat het gaatje aan de buitenkant van (7472) op het eind van de zijkant zit (4b.7).

Boor gaten met Ø 6 door de geprepareerde gaten in (7334 - 7337). Installeer muurpluggen (7422) in de gaten en verbind de nokbalk losjes met de muur m.b.v. schroeven (7412) (4b.8).

Stel het frame zodanig af dat het volledig haaks is en draai alle schroeven (7411) en (7412) en moertjes (7053) vast. **Belast de moertjes niet met teveel kracht bij het aandraaien.**

Monteer de hoekschoren (7331) tussen elk middenprofiel van de zijkant (7311) en het middenprofiel van het dak (7472) door de platkopbouten (7399) in de boutkanalen (4b.9) (4b.10) te installeren.

#### 5. ZIJRAAM

Verbind de onderste balk van het raam (7451) met de zijbalken (7453) en (7454) (5.2) (5.3). Schuif paneel D in de glassleuven (5.5) in de gemonteerde delen (5.4) (5.5).

Bereid (7052) en (7053) losjes voor in de bovenste balk van het raam (7450) en schuif ze zover totdat (7453) en (7454) bij de schroefkoppen van (7052) passen en het glas in de glassleuven (5.6) (5.7).

Opmerking - Als u voor glas van 4 mm gekozen hebt, snij dan de afdichting van het glas (7420) op maat zodat deze in de glassleuven aan de binnenkant van het raam past om het glas op zijn plek te krijgen (5.8) (5.9).

Controleer of het zijraam haaks zit voordat u de bouten vastdraait.  
Niet te vast aandraaien.

Plaats de borstelafdichting (7457) in de geleiders van de boven- en zijbalken (7454) (7450) (7453) (5.10), gebruik daarvoor 1 doorlopende lengte snij deze op maat.  
Opmerking - Als de borstelafdichting (7457) visueel stoort als het raam gesloten is (zie paragraaf 8) kan deze korter worden geknipt (5.10).

Verbind de raamopener (7090) met (7451) met behulp van sluitring (7413) en twee schroeven (7349) (5.11) (5.12).

Plaats de plastic moerdopjes (6070) door ze op alle moeren (7053) (5.13) te drukken.

#### 6a. SCHUIFDEUREN

Installeer borstelrubber (7332) in de geleiders in de deurprofielen (7352) (7353) (7355) (7356) (7357) (6a.2) en snij het op lengte.

Monteer de wielen (7364), door middel van afstandsbusen (7392) aan weerszijde van het wiel, boutje (7393), clip (7350) en borgmoer (7360), losjes op de onderprofielen van de

deur (7355) (6a.3).

Verbind (7355) met de zijprofielen van de deur (7357) of (7358) (6a.3) (6a.7a).

Monteer de middenprofielen van de deur (7354) of (7384) met borgonderdelen (7400), (7401) en (7402) door middel van boutjes (7404). Verbind met zijprofielen van de deur (7357) of (7358) d.m.v. boutjes (7052), moertjes (7053) en boutjes (7405) (6a.4) (6a.5) (6a.8). **Belast de boutjes (7404) en (7405) niet met teveel kracht.**

Verbind de bovenprofielen van de deur (7352) of (7353) met de zijprofielen van de deur (7357) of (7358) (6a.6) (6a.7b).

Schuif ruit G in de beglazingskanalen in de gemonteerde onderdelen (6a.9).

Prepareer (7052) en (7053) losjes in de zijprofielen van de deur (7356) en schuif ze op (7355), (7354) of (7384) en (7352) of (7353), terwijl de boutkoppen van (7052) in de boutkanalen en de beglazing in de beglazingskanalen (6a.9) (6a.10) worden gemonteerd. Installeer de deurgeleiders (2271) in de bovenkant van beide deuren (6a.6).

**N.B.** - Als u glasbeglazing van 4 mm hebt gekozen, snij dan het beglazingsprofiel (7420) op lengte en duw het in de ruimte in de beglazingskanalen aan de binnenkant van de deur om het glas op zijn plaats vast te zetten (6a.11).

#### 6b. DEURFRAME EN ONDERDORPEL

Monteer de deursteun (7362) op het kalfje in de deuropening d.m.v. boutjes (7390) (6b.1) (6b.2).

Kantel de rail van het deurwiel (7351) zodat deze in het kalfje past en laat deze op zijn plaats zakken (6b.3). Centreer op de deuropening en verbind met de fundering d.m.v. muurplug (2003) en schroef (2002) (6b.4).

Verbind de zijframes van de deur (7361) met de middenprofielen (7311). Verbind deze na plaatsing met de bovenkant d.m.v. boutje (7052) en moertje (7053) (6b.5) - (6b.8).

Installeer onderaan een boutje (7052) in het kanaal aan beide kanten van de onderdorpel (7363) (6b.9) en schuif de onderdorpel op zijn plaats (6b.10) (6b.11).

#### 7. OVERZICHT BEGLAZING

Sorteer a.u.b. de beglazing op afmeting en beglazingstype van uw model alvorens te beginnen. Als u glas hebt gekozen, dan zijn ruit E en F aan beide kanten identiek.

**N.B.** - De UV-bestendige kant van de polycarbonaat ruiten wordt aangegeven door de kunststoffolie of de bedrukking op de rand. **Deze kant moet naar buiten zitten.** Maak vóór de montage de folie op alle randen van elke ruit ongeveer 2 cm los. Als de montage van alle ruiten klaar is, verwijder dan de folie helemaal van de ruiten.

#### 7a. DAKBEGLAZING / ZIJKANT

Schuif de dakbeglazing in de geleiders in de dakprofielen (7a.2) (7a.3). Als twee aan elkaar grenzende ruiten op hun plaats zijn, schroef dan de beglazingsaanslagen (7342) of (7343) op het dakprofiel ertussenin d.m.v. de voorbereide gaten en zelftappende schroeven (7349) (7a.4) (7a.5). De ruiten moeten naar beneden schuiven tot tegen deze aanslagen.

**Opmerking:** Zorg ervoor dat de nokafdichting (7414 - 7417) naar voren is gebogen over de dakpanelen B (7a.6).

Buig het profiel van de zijkant (7324 - 7327) in de hoek van de zijkant (7a.7) en zet het omlaag tot tegen de hoek van de zijkant. Verbind het met de hoek van de zijkant d.m.v. boutjes (7052) aan de buitenkant en moertjes (7053) binnen de kas (7a.8).

Installeer een glasafstandsbus (7424) boven de binnenrand van de hoek van de zijkant (7a.10) en een glasafstandsbus (7425) boven de binnenrand van de nokbalk (7a.11). Fixeer (7425) bij de nok op zijn plaats d.m.v. schroef (7349) (7a.11).

**N.B.:** *In een kas met polycarbonaat ruiten is de vorming van condensaat onvermijdelijk; het kan echter worden verminderd door vervanging van de onderdelen (7424 / 7425) door (7423\*). Hierdoor ontstaat meer ventilatie binnen en wordt de condensatie verminderd. Gebruik schroeven (7349) om (7423\*) vast te zetten in het midden van elke veld op de dakrand en de nok (7a.12).*

#### 7b. ZIJKANTBEGLAZING

Bepaal op dit punt in welke velden u de twee zijramen wilt monteren.

**Opmerking:** Dezen kunnen niet gemonteerd worden in een hoekveld of in velden die aan de deuropening grenzen.

In deze velden worden dan de glaspanelen H gemonteerd in plaats van glaspaneel A.

Duw de glasafdichting (7382) in de bovengroef in elke (7381) en snij deze voor beide einden passend af.

Als de beglazing uit glas van bestaat, duw dan de glasafdichting (6090) op de aluminium profielen (7b.2) en snij deze op lengte.

**N.B.** - Er wordt geadviseerd om op alle horizontale glasgeleiders kleinere lengten van de afdichting (6090) in het midden van elk veld te gebruiken. Hierdoor kan condenswater dat

zich in de kas ophoopt, ontwijken.

**N.B.** - Bij polycarbonaat is het glasrubber niet nodig.

Door plaatsing van de (7050) boutkop in de verschillende geleiders in de glasafdekking kan de kas met ruiten van  $\leq 4$  mm, 10 mm of 16 mm (7b.2) worden beglaasd. Prepareer boutjes (7050) in elke glasafdekking zoals op de tekening (7b.3).

Prepareer voor beglazing van 10 mm 1 afstandsbus (7407), in de midden / aan de bovenkant van elke ruit A (7b.4). Plaats elke glasruit A in het frame en verbind de verticale afdekkingen (7372), (7373) of (7374) losjes met moeren (7053).

Til ruit A 15 mm op en verbind de afdekkingen (7381) losjes onder de ruit.

**N.B.** - De boutjes (7050) die gebruikt zijn om de diagonale schoren in sectie 1, 2 en 3 te houden, moeten op dit punt (7b.8) worden herplaatst.

Prepareer voor beglazing van 10 mm 4 afstandsbussen (7409) op elk (7321) en (7322) (2 afstandsbussen voor elke ruit E en F) (7b.5) (7b.6). Plaats ruit E en F.

Verbind afdekking (7377) of (7378) en daarna (7375) / (7379) of (7376) / (7380) losjes.

Draai alle moertjes vast. **Belast deze niet met teveel kracht bij het aandraaien.**

**N.B.** - De verticale afdekking kan het best worden gemonteerd als de bovenste bout het eerst in het gat wordt geïnstalleerd, daarna de middelste en ten slotte de onderste bout. Zorg ervoor dat de afdekking contact blijft houden met het kalfje.

#### 8. MONTAGE ZIJRAAM

Verwijder de moeren (7053) van de bovenste twee boutbevestigingskappen (7372) in de middenbalken (7311) naast de vensteropening.

Bereid (7053) en (7399) losjes voor in het laagste gat in de zijframes (7455) en (7456) (8.1) van de ramen.

Draai de zijframes van de ramen (7455) en (7456) op de middenbalken (7311) boven glaspaneel H (8.2) en maak de bovenste dopmoer (7053) (8.3) (8.4) opnieuw vast.

Bereid (7053) en (7399) losjes voor in het onderste gat in dorpelbalk van het raam (7452). Draai ze in positie zodat ze het glaspaneel H afdekken waarbij de middelste dopmoer in het bovenste gat past aan beide kanten van (7452) (8.5).

Maak de middelste dopmoer (7053) (8.6) opnieuw vast.

Monteer met behulp van schroeven (7088) het

raamscharnier (7419) aan de zijframes (7455) en (7456) (8.7) van het raam. **Opmerking:** Alleen verbinden met behulp van de voorbereide lange gaten in het scharnier.

Monteer het voorbereide zijraam (zie paragraaf 5) tussen de twee raamscharnieren (7419) met behulp van schroeven (7088).

**Opmerking:** Alleen verbinden met behulp van de voorbereide lange gaten in het scharnier.

Sluit het raam en controleer dat het sluit over de dorpelbalk (7452) zonder hiermee contact te maken. De raamhoogte kan worden aangepast met behulp van de lange gaten in scharnier (7419) en als deze op maat is, vastgezet worden door extra schroeven in de andere gaten te plaatsen.

Plaats raamvergrendelingen (6056) op de dorpelbalk (7452) met behulp van schroeven (7403) (8.9).

Plaats ze door de lange gaten in de raamopener (7090) uit te lijnen als het raam gesloten is (8.10).

Als het raam gesloten is, kan de raamopener (7090) vergrendeld worden op beide (6056) om het raam gesloten te houden (8.10).

**Opmerking** - Als de borstelafdichting (7457) in de bovenste raambalk (7450) visueel stoort als het raam gesloten is kan deze korter worden geknipt, zie details (5.10).

Herhaal dit voor het andere raam.

#### 9. LAATSTE STAPPEN

Installeer kunststof voor de zijkant (7370) en (7371) in beide uiteinden van het zijkantprofiel (7324 - 7327) (9.1) (9.2).

**N.B.** - Het kan nuttig zijn om het zijkantprofiel aan de bovenrand voorzichtig weg te trekken van de kas zodat de opening voor de kunststof groter wordt.

Installeer een platkopbout (1412) in het boutkanaal aan de onderkant van het hoekprofiel (7310) en verbind onderdeel (1405) en (1409) aan beide kanten (9.3) met een aluminium moertje (1002). Installeer de kniebocht (1402) op de onderkant van elke pijp (1415) (9.6) en verbind deze met de kunststof van de zijkant (7370) of (7371) (9.9). Installeer de klem van de valpijp (1403) rond de valpijp en verbind deze met (1409) (9.4). Installeer schroef (1006) om de valpijp op zijn plaats te fixeren (9.5).

Monteer de deurrail (7359) in de deuropening. Verbind met (7321), (7322) of (7324 - 7327) door boutjes (7052) in het boutkanaal aan de buitenkant van deze profielen te installeren en met moertjes (7053) (9.8) te verbinden.

Installeer aan beide kanten van het deurrailprofiel (7359) een boutje (7052) aan de buitenkant en een moertje (3002) binnen de

deurgeleider om te voorkomen dat de deur uit de rail (9.8) (9.9) schuift.

Plaats de deuren door de kunststof deurgeleiders (2271) in de geleider in het deurrailprofiel (7359) (9.10) (9.11a) te plaatsen en laat dan de wielen op de deurrail op profiel (7351) (9.11b) zakken. Haak de deurclips (7350) onder de lip op (7351) en draai de borgmoeren (7360) (9.11b) vast.

Monteer de kunststof moerdoppen (6070) door ze op alle zichtbare moertjes (7053) binnen de kas (9.12) te duwen.

**N.B.** - Er wordt geadviseerd om een druppel neutrale silicone aan de buitenkant tussen de nokbalk en de muur aan te brengen (9.7). Neutrale silicone is niet inbegrepen.

#### AFWERKING

Desgewenst kan de kas aan de randen verder worden afgedicht met neutrale siliconenkit. Silicone is niet voor dit doel inbegrepen.

Plaats het waarschuwingslabel aan de binnenkant van de kas.

Controleer a.u.b. twee weken na het voltooiën van de montage of alle moertjes en boutjes vastzitten.

Er is een compleet assortiment kasaccessoires beschikbaar bij uw leverancier om dit product ten volle te benutten. Informeer a.u.b. naar de mogelijkheden.

#### VEILIGHEIDSREGELS

Sluit bij zware wind altijd de deuren en alle ramen.

Houd bij zware sneeuwval het dak van de kas vrij of zorg voor een goede ondersteuning van het dak. Verwarm de kas in de winter.

#### COMMENTAAR

Voor de gehele bescherming van uw nieuwe kas raden wij u aan om deze op te nemen in uw **opstalverzekering**. Denk er ook aan dat de kas aan alle bouweisen moet voldoen en houd ook rekening met de plaats van de kas.

Plak alstublieft de inbegrepen sticker van het kasmodel op het deurprofiel (7353) of (7353) nadat de kas succesvol is geïnstalleerd. Deze informatie is belangrijk voor het vervangen van onderdelen in de toekomst.

Bewaar deze montage-instructies op een veilige plek zodat u deze nog altijd kunt nalezen.

Ons beleid is gebaseerd op het continu verbeteren van onze producten en hierdoor behouden wij ons het recht voor om modellen te veranderen zonder verdere berichtgeving.

## 1. LÆS VENLIGST DENNE VEJLEDNING, INDEN DE GÅR I GANG MED AT SAMLE DERES DRIVHUS.

- De bør **altid** bruge handsker, hjelm og sikkerhedsbriller, når De arbejder med polycarbonat eller glas. Der kan også forekomme skarpe kanter på hjørner og kanter af aluminiumsprofiler. Itugået glas udgør en sikkerhedsrisiko. Fjern straks eventuelle glasskår under agtpågivenhed. Her bør De også bære handsker.
- Produktet er konstrueret som et drivhus beregnet til planteavl og er som sådan ikke konstrueret til at være helt tæt, da det er nødvendigt med udluftning bl.a. for at undgå kondensdannelse. Såfremt De ønsker at anvende drivhuset som et "uderum/stue" eller lign., gør vi udtrykkeligt opmærksom på, at drivhuset ikke er 100 % vandtæt, og vi påtager os ikke noget ansvar for eventuelle skader på løsøre el. lign., der er anbragt i drivhuset.
- Til montage af dette produkt kræves 2 personer.
- Ved anvendelse af trappestige bør stigen under brug sikres af en person.
- Skulle De få problemer med drivhusmontagen eller glasisætning, er De velkommen til at kontakte OPJ A/S eller Deres forhandler.
- Drivhuset bør gøres forsvarligt fast til undergrunden.

### Anvend ikke vold!

Vi ønsker Dem god arbejdslyst og håber, at De får rigtig mange gode stunder med og i Deres Vitavia drivhus.

**Når De har læst denne vejledning opfordrer vi Dem til at besøge [www.vitavia.dk](http://www.vitavia.dk), hvor De kan finde gode råd, downloade vejledninger og desuden se instruktionsvideoer, der viser samling af Vitavia drivhuse.**

## MONTAGEVEJLEDNING

### PLACERING

Vælg et solrigt sted, hvor der er mest muligt læ.

### VIGTIGT

Før De begynder at samle Deres drivhus/udestue, kontroller venligst efter indholdsfortegnelsen, at alle dele er medleveret. Tag de enkelte bundter ud af kassen for bedre at kunne kontrollere indholdet.

Det er vigtigt ikke at blande de åbnede bundter.

Hvis der mangler noget, kontakt venligst Deres forhandler.

**Vigtigt!** Den UV-bestandige side på polycarbonatpladerne er markeret med en folie. Denne side skal vende udad. Fjern folien før montage.

### NØDVENDIGT VÆRKTØJ

Skruetrækker (stjerne PH2 og PZ2)

Akkuboremaskine med moment

Gummihammer

Ø 20 mm bor

1x10 mm fastnøgle.

1x10 mm gaffelnøgle

1 målebånd/tommestok, 1 vinkel, 1 vaterpas, 1 hobbykniv, 1 skævbider, 2 trappestiger 1,80 m.

### VEDLIGEHOJDELSE

Drivhuset bør lejlighedsvis rengøres grundigt med et mildt rengøringsmiddel. Glasset kan rengøres med et hvilket som helst rengøringsmiddel, der ikke skader aluminiumsprofiler eller kunststof.

Dørskinnerne bør regelmæssigt rengøres og smøres med stearin/grafitolie.

### 0. FUNDAMENT

**Vigtigt!** Anvend en stor vinkel og et vaterpas til at kontrollere, at soklen er vandret, og alle vinkler skal være 90°. Dette kan også kontrolleres ved at krydsmålene er ens som vist på tegning 0.

Vi anbefaler, at drivhuset anbringes på et solidt fundament.

Ønsker De selv at bygge et sten- eller betonfundament, følg da dimensionerne, som er vist i afsnit 0. Materialer til dette indgår ikke i leverancen.

Det viste fundament giver mulighed for at placere dobbeltskydedøren i en af de to gavle eller i fronten af drivhuset.

Ved støbning af fundament bør dette gå ned i frostfri dybde. Derved reduceres risikoen for, at der opstår skader på huset som følger af frostpåvirkninger af jorden.

**NB!** Støbning/fastgørelse til undergrunden er i mange tilfælde et krav fra forsikringsselskaber for at opnå forsikringsdækning på drivhuset. Vi anbefaler, at De kontakter Deres forsikringsselskab for at høre om reglerne, der er gældende hos Deres selskab.

**Alle tegninger af drivhuset er set indefra, undtagen de tegninger, hvor der er dobbeltstreg udenom. Disse er set udefra.**

### 1. FRONT

**NB!** Hvis døren skal placeres i husets front, skal De undlade at montere en af de lodrette profiler (7311) markeret med ①.

Klem tætningsliste (7396) fast på bundlisten/dørtrinnet (7304-7307) og tilpas længden i begge ender med en hobbykniv, se (1.1) og (1.2).

I henhold til modeltegningerne 8600/10200 og 11900 placeres delene til den aktuelle model på jorden og boltes løst sammen ved at anbringe bolte (7052) i profilsporene som vist på (1.3).

Sørg omhyggeligt for, at vinklerne på tagremmen (7314-7317) placeres korrekt i hjørnerne på begge hjørnestolper (7310), se (1.3) og (1.4), og at hjørnestolperne (7310) og midterprofilerne (7311) støder an mod monteringsflangen på tagremmen, som vist i den stiplede cirkel på (1.9) og (1.12).

Fastgør skråstiverne (7312) på begge sider, se (1.3), (1.4), (1.10) og (1.11). Skråstiverne monteres løst til bundskinnen med bolt (7050). Bolt (7050) skal fjernes, når glasset sættes i (sektion 7b).

### 2. GAVL UDEN DØR

**NB!** Hvis døren ønskes placeret i denne side, skal De undlade at montere den midterste sideprofil (7311) markeret med ①.

Klem tætningsliste (7396) fast på bundlisten (7301) og på profilen mod væggen (7344) og tilpas længden i begge ender med en hobbykniv (2.1) – (2.4).

Placer alle delene på jorden og bolt dem løst sammen ved at anbringe bolte (7052) i profilsporene som vist på (1.3).

Overligger (7321) skubbes ind i udklinkningen på murprofil (7344) og fastspændes med bolt (7052) og møtrik (7053), se (2.5) og (2.6). Bundprofil (7301) fastgøres til murprofil (7344) med bolt 7052 og møtrik (7053), se (2.7) og (2.8).

Monter de midterste lodrette profiler (7311), se (2.9) og (2.10).

Fastgør skråstiverne (7313), se (2.5), (2.6), (2.11) og (2.12). Skråstiverne monteres løst til



bundskinnen med bolt (7050). Bolt (7050) skal fjernes, når glasset sættes i (sektion 7b).

### 3. GAVL MED DØR

**NBI:** Hvis døren ønskes placeret i modsatte gavl eller i fronten, skal den midterste sideprofil (7311) markeret med ① monteres i denne side ①b.

Saml alle dele som beskrevet under sektion 2.

### 4a. SAMLING OG MONTERING AF SIDEELEMENTERNE

Figur (4a.1) viser konstruktionen med placering af døren i fronten.

Klem tætningsliste (7396) ind i bundliste (7334-7337) og tilpas længden med en hobbykniv. Vær omhyggelig med at få tætningslisten (7414 – 7417) til at slutte tæt i styrerillen på remmen. (4a.2) og (4a.3).

Monter løst bolte (7052) og møtrikker (7053) i bundlister (7301) og (7302) som vist i (4a.4). Monter hjørnestolper (7310) ved at lade profilsporene på (7310) glide ned over hovederne på bolte (7052) som vist på (4a.5). Forbind overligger (7321) og (7322) med hjørnestolperne således, at de støder an mod tagremmen i fronten (4a.6).

Saml taghjørneprofilerne ovenpå tagremsvinklen (4a.7) og (4a.8). Sørg for, at taghjørneprofilerne sidder korrekt og støder an mod forhøjningen yderst på tagremmen som vist i den stiplede cirkel på tegning (4b.6). Gavlprofil (7328/7329) skal vende således, at de små huller på ydersiden af (7328/7329) er ved husets front (4a.7).  
Saml murtagremmen (7334-7337), tagafslutningsprofiler (7428), (7429) og murprofiler (7344) (7345) ved hjælp af beslag (7348), se (4a.9) og (4a.10).  
Forbind mellemstøtteprofil (7346), (7347) til overligger (7321), (7322) med bolt (7052) og møtrik (7053) og til tagafslutningsprofil (7428), (7429) med beslag (7348) som vist på (4a.11).

Anbring det samlede stel på det forberedte fundament, således at stellet læner op ad husmuren. Kontroller at stellet er i lod og vater og bor Ø6 huller gennem de forberede huller i (7301), (7302), (7304-7305), (7344) og (7345) ind i muren og ned i fundamentet. Anbring mørpløkker (7421) eller (7422) i de borede huller og spænd stellet løst fast til fundamentet og uren ved hjælp af skruer (7411) og (7412), se (4a.12).

### 4b. MELLEMLISTE TAGPROFILER

Monter løst bolt (7052) og møtrik (7053) i murrammen og skub de mellemste tagprofiler (7472) på plads. Bolthovedet på (7052) skal køre i sporet på (7472), se (4b.1) og (4b.2).  
**NBI!** Sørg for, at tætningslisten (7414 – 7417) er bøjet fremad ud over de mellemste tagprofiler (7472) (4b.3).

I gavlenden af (7472) anbringes en bolt (7052) i sporet på hver (7472). Sænk (7472) således, at bolt (7052) går ned igennem det forstansede hul i tagremmen. Spænd derefter sammen ved hjælp af skive (7395) og møtrik (7053), se (4b.4) og (4b.5). Sørg for, at (7472) sidder korrekt og at det lille hul på oversiden af (7472) er i den ende, der vender mod fronten af drivhuset (4b.7).

Bor Ø 6 mm huller gennem de forberedte huller i murtagremmen (7334-7337). Anbring murpløkker (7422) i hullerne og spænd murtagremmen løst fast til muren ved hjælp af skruer (7412), se (4b.8).

Juster stellet indtil det er retvinklet og i lod og vater. Fastspænd alle skruer (7411) og (7412) og møtrikker (7053). **Undgå at overspænde!**

Monter afstivere (7331) mellem de mellemste sideprofiler (7311) og de mellemste tagprofiler (7472) ved hjælp af bolte med tilfillede hoveder (7399), se (4b.9) og (4b.10).

### 5. SIDEVINDUER

Saml vinduets bundprofil (7451) med de to sideprofiler (7453) og (7454), se (5.2) og (5.3). Lad glas D glide ind i sporene (5.5) på de samlede dele (5.4) (5.5).  
Sæt bolt (7052) og møtrik (7053) løst i vinduets topprofil (7450) og pres topprofilen ned over sideprofilerne (7453) og (7454), således at bolthovederne glider ind i boltsporene, og glaspladen glider ind i sporene til glas, som vist i (5.6) og (5.7).

Tilskær glasliste (7420) og pres denne ind i glassporene på vinduets inderside for at holde glasset på plads (5.8) (5.9).

Sørg for, at alle vinkler er rette, inden møtrikkerne i vinduet spændes.

**Spænd møtrikkerne – men uden at overspænde!**

Skub tætningsliste (7457) ind i sporet på topprofil (7450) og sideprofilerne (7453) og (7454), se (5.10) og skær overskydende tætningsliste af med en hobbykniv.  
**NBI!** Hvis tætningsliste (7457) er for synlig, når vinduet lukkes (se afsnit 8), kan den trimmes kortere med en saks (5.10).

Monter udskyderstangen (7090) på vinduets bundprofil (7451) ved hjælp af afstandsplade (7413) og to skruer (7349), se (5.11) og (5.12).

Sæt plastic dækpropper (6070) på alle møtrikker (7053), se (5.13).

### 6a. SKYDEDØRE

Skub tætningsliste (børste) (7332) ind i sporet på dørprofilerne (7352), (7353), (7355), (7356) og (7357), se (6a.2) og tilpas tætningslisterne i længden.

Anbring en afstandsbojsning (7392) på hver side af dørhjulet (7392). Monter derefter dørhjul (7364) løst på den nederste dørprofil (7355) ved hjælp af bolt (7393), vinkelbeslag (7350) og låsemøtrik (7360) (6a.3).  
Spænd nederste dørprofil (7355) sammen med inderste lodrette dørprofil (7357) eller (7358), se (6a.3) og (6a.7a).

Monter låsedelene (7400), (7401) og (7402) på mellemste dørprofil (7354) eller (7384) ved hjælp af bolte (7404). Monter midterste dørprofil på den lodrette dørprofil (7357) eller (7358) ved hjælp af bolte (7052), møtrikker (7053) og bolte (7405), se (6a.4), (6a.5) og (6a.8).

**Spænd bolte (7404) og (7405) – men uden at overspænde!**

Øverste vandrette dørprofil (7352) eller (7353) boltes på de inderste dørprofiler (7357) eller (7358), se (6a.6) og (6a.7b).

Lad glas/polycarbonatplade G glide ind i sporene på de samlede dørprofiler (6a.9).

Når yderste dørprofil (7356) skal monteres, gøres dette lettest, når de allerede samlede dele vendes som vist på (6a.9). Monter løst bolt (7052) og møtrik (7053) i yderste dørprofil (7356) og lad (7356) glide ned over (7355) og (7354) eller (7384) og (7353) således at bolthovederne kører i boltsporet og glasset glider i glassporet som vist i ((6a.9) og (6a.10)).  
Monter dørstyr (2271) øverst i begge døre, se (6a.6).

**NBI!** Tilskær glasliste/gummiliste (7420) og klem denne ned i mellemrummet i glassporene på dørglassenes inderside for at fiksere glasset, se (6a.11).

### 6b. DØRRAMME OG DØRTRIN

Monter dørstøtte (7362) på bundskinnen (7302) ved hjælp af bolte (7390), se (6b.1) og (6b.2).

Vip hjulskinnen (7351) så den griber fat i profileringen på bundskinnen (7302) og sænk den ned på plads (6b.3). Centrér i forhold til døråbningen og fastgør til fundamentet ved hjælp af murpløk (2003) og skrue (2002), se (6b.4).

Anbring siderne af dørrammen (7361) på de mellemste sideprofiler (7311). Derefter fastgøres dørrammen til tværligger (7322) ved hjælp af bolt (7052) og møtrik (7053), se (6b.5) – (6b.8).

For neden anbringes en bolt (7052) i sporet på begge sider af dørtrinnet (7363), se (6b.9) og skub dørtrinnet på plads (6b.10) og (6b.11).

### 7. GLASPLAN – OVERSIGT

Sorter glas og polycarbonat i overensstemmelse med modelstørrelse og valg af dækmateriale for isætning af glas/polycarbonat påbegyndes.

**Vigtigt!** Den UV-beständige side på polycarbonatpladerne er markeret med en folie. Denne side skal vende udad. Løsn de yderste ca. 2 cm hele vejen rundt, så folien let kann fjernes efter isætning. De sal lade folien sidde under montering, da det ellers er umuligt at afgøre med det blotte øje, om pladen vender den rigtige side udad. Fjern folien, når alle plader er sat i.

## 7a. MONTERING AF POLYCARBONAT I TAGET

### NB! BEMÆRK VENLIGST OVENNÆVNTE SIKKERHEDSFORANSTALTNINGER.

Skub polycarbonatpladerne til taget ind i sporene på tagpladerne (7a.2) og (7a.3). Når to tilstødende plader er på plads, monteres tagpladestop (7342) eller (7343) på tagprofilen imellem dem ved isætte de selvskærende skruer (7349) i de forberedte huller, se (7a.4) og (7a.5). Polycarbonatpladerne skal glide ned og have anslag mod tagpladestopperne.

**NB!** Sørg for, at tætningslisten (7414 – 7417) er bøjet fremad ud over tagpladerne B (7a.6).

Vip tagafslutningsprofilen (7324-7327) så den hængsler på tagremmen (7a.7) og vip den ned, så den støder an mod tagremmen. Spænd den fast på tagremmen ved hjælp af bolte (7052) udvendigt fra og møtrikker (7053) indvendigt fra (7a.8).

Anbring afstandsstykke (7424) på den indvendige kant på tagremmen (7a.10) og anbring afstandsstykke (7425) på den indvendige kant af murremmen (7a.11). Ved murremmen fastgøres afstandsstykke (7425) med skrue (7349), se (7a.11).

**NB!:** Kondensdannelse kan ikke helt undgåes i et drivhus med polycarbonat, men kondensdannelsen kan reduceres ved at udskifte kode nr. (7424 / 7425) med kode nr. (7423\*).

Dette vil forøge luftcirkulationen og dermed reducere kondensdannelse.

Ved hjælp af skrue (7349) anbringes et beslag (7423\*) i midten af hver tagplade ved tagremmen og ved tagrenden (7a.12).

## 7b. MONTERING AF GLAS I SIDERNE

Inden næste skridt tages, skal det besluttes i hvilke felter, de to ventilationsvinduer skal sidde.

**NB!** Vinduerne kan ikke anbringes i et felt, der grænser op til et hjørne eller til dørpartiet.

I de felter, hvor der anbringes et vindue, monteres glas H i stedet for glas A.

Tryk tætningsliste (7382) fast på hver af de lodrette sideprofiler (7381) som vist i cirklen og skær til med en hobbykniv i begge ender.

Tryk glasliste (6090) fast på aluminiumsprofilerne (7b.2). Tilpas længden på glaslisten med en hobbykniv.

**NB!:** Det anbefales ikke at lade glaslisten gå helt ud til siderne på de vandrette profiler, derved opnås større luftcirkulation med mindre kondensdannelse til følge.

**OBS!:** Såfremt De har valgt en model med polycarbonatbeklædning skal der ikke anvendes glaslister.

Hovedet på bolt (7050) kan skubbes ind i tre forskellige spor på dæklisterne som vist på (7b.2). Dette giver mulighed for at anvende enten ≤ 4 mm glas, 10 mm og 16 mm polycarbonatplader som dækmateriale (7b.3).

Ved 10 mm plader anbringes 1 afstandsstykke (7407) foroven i midten af hver plade type A (7b.4).

Anbring alle plader type A og H i stellet og monter løst de lodrette dæklistre (7372), (7373) eller (7374) løst med bolte (7053).

Løft rude A og H 15 mm så der er plads til at skubbe dæklisterne ind i styresporene på bundlisten og forbind derefter løst dæklisterne (7381) under ruden.

**NB!** Boltene (7050), der anvendes til at fastgøre skræstiverne i afsnit 1, 2 og 3, skal udskiftes på dette trin (7b.8).

Ved 10 mm plader anbringes 4 afstandsstykker (7409) på overligger (7321) og (7322) – 2 afstandsstykker til hver rude E og F, se (7b.5) og (7b.6).

Isæt rude E og F.

Forbind løst dæklistre (7377) og (7378) og derefter (7375) / (7379) eller (7376) / (7380).

### Spænd alle møtrikker – men uden at overspænde!

**Tip:** Det er lettest at montere de lodrette dæklistre, hvis man starter med skubbe den øverste bolt gennem hullet og derefter den midterste og endelig den nederste. Sørg for, at dæklisten slutter tæt mod bundlisten.

## 8. SAMLING AF SIDEVINDUER

Fjern møtrik (7053) fra de to øverste bolte, der holder dæklisterne (7372) på mellempfilerne (7311) ved siden af vinduesåbningen.

Klargør (7053) og (7399) i det nederste hul i vinduets sideprofiler (7455) og (7456), se (8.1).

Drej vinduets sideprofiler (7455) og (7456) mod mellempfilerne (7311) oven over glasstykke H (8.2) og genmonter møtrikkerne (7053), der holder dæklisterne (8.3) (8.4).

Klargør løst (7053) og (7399) i det nederste hul i vindueskarmen (7452). Drej denne, så den dækker glasstykke H således, at den mellemste bolt fra dæklisten rammer det øverste hul på begge sider af (7452), se (8.5).

Genmonter den mellemste dæklistemøtrik (7053), (8.6).

Anvend skruer (7088) til at fastgøre vindueshængsel (7419) på vinduets sideprofiler (7455) og (7456), (8.7).

**NB!** Det er vigtigt kun at anvende de forberedte huller i hængslet.

Luk vinduet og sørg for, at det lukker over vindueskarmen (7452) uden at røre denne. Vinduet kan højdejusteres ved at anvende de aflange huller i hængslet (7419). Når vinduet er i korrekt position monteres skruer i de øvrige huller.

Monter vinduespløkker (6056) på underkarmen (7452) ved hjælp af skruer (7403), (8.9). Placeringen findes ved lukke vinduet (8.10) og markere de aflange huller på udskyderstangen (7090). Når vinduet er lukket kan udskyderstangen (7090) haspes på begge pløkker (6056) og holde vinduet fastlukket (8.10).

**NB!** Hvis tætningsliste (7457) er for synlig, når vinduet lukkes, kan den trimmes kortere med en saks, se detaljetegning (5.10).

Gentages for det andet vindue.

## 9. SIDSTE TRIN

Skub plastic studs til nedløbsrør (7370) og (7371) ind i begge ender af tagrenden (7324-7327), se (9.1) (9.2).

**Tip:** Det kan være en hjælp forsigtigt at trække tagrendeprofilen lidt væk fra huset, så åbningen til indpresning af studsen til nedløbsrøret bliver større.

Indsæt en bolt med tilfilet hovede (1412) i bunden af boltsporet i hjørnestolpe (7310) og monter bøsning (1405) og beslag (1409) med møtrik (1002), se (9.3).

Klem bøjning (1402) fast på nederste del af nedløbsrøret (1415), se (9.6), og klem derefter røret op omkring studsen til nedløbsrøret (7370) eller (7371), se (9.9).

Klem beslag (1403) fast rundt om nedløbsrøret og pres derefter (1403) således, at klembeslaget får greb i flangen på beslag (1409), se (9.4).

Isæt skrue (1006) til fastholdelse af nedløbsrøret, se (9.5).

Monter dørskinden (7359) over døråbningen. Dørskinden monteres på overligger (7321), (7322) eller (7324-7327) ved at anbringe bolte (7052) i boltsporet på ydersiden af overliggerne og spænde sammen med møtrikker (7053), se (9.8).

For at undgå, at dørene kører ud af dørskinden (7359), monteres udvendigt en bolt (7352) og indvendigt en møtrik (3002) i dørstyret, se (9.8) og (9.9).

Løft dørene på plads, således at plastic dørstyrene (2271) går ind i sporet på dørskinnen (7359), se (9.10) og (9.11a). Sænk derefter døren, således at dørhjulet (7364) glider ned over vulsten på dørskinnen (7351), se (9.11b).

Klem vinkelbeslag (7350) fast under den lille flange på vulsten på dørskinnen (7351) og stram låsemøtrikkerne (7360), se (9.11b).

Sæt plasticdækpropper (6070) på alle synlige møtrikker (7053) inde i drivhuset (9.12).

**NBI:** Det anbefales at lave en silikonefuge mellem tagremmen (7334-7337) og muren. Fugning sker fra udvendig side (9.7). Fugemasse er ikke inkluderet i leverancen.

### FÆRDIGGØRELSE

Hvis De ønsker at tætte hjørner og samlinger kan dette gøres med silikone (ikke inkluderet). Vær dog opmærksom på, at jo tættere huset er, jo mere kondens vil der blive dannet.

Den vedlagte selvklebende identifikationsetiket kan med fordel anbringes indvendigt i drivhuset – f.eks. indvendigt på (7352) eller (7353) eller lign. Oplysningerne på etiketten vil gøre det meget lettere for Dem at fremskaffe reservedele, såfremt dette skulle blive aktuelt.

Ca. 2 uger efter færdiggørelse kontrolleres det, at alle møtrikker er spændt korrekt.

### SIKKERHEDSANVISNING

**Brug arbejdshandsker**, da nogle af delene kan have skarpe kanter. Ligeledes bør sikkerhedshjelm og sikkerhedsbriller anvendes under montagen.

I tilfælde af stærk blæst eller storm: Luk alle oplukkede vinduer og døre, afmonter om nødvendigt eventuelle automatiske vinduesåbnere. Se endvidere vor hjemmeside [www.vitavia.dk](http://www.vitavia.dk), hvor De finder gode råd til forebyggelse af stormskader.

I tilfælde af stormskade kan der være mange glasstumper, som skal fjernes med stor forsigtighed for at undgå personskader.

I tilfælde af kraftigt snefald: Ryd drivhusets tag for sne og træf passende foranstaltninger til at understøtte taget f.eks. med en stolpe el. lign.

### ANMÆRKNINGER

Vi anbefaler, at De sørger for, at Deres husforsikring også dækker Deres drivhus.

Overhold alle byggevedtægter. Kontakt Teknisk Forvaltning i Deres kommune, hvis De er i tvivl.

Vi forbeholder os ret til uden varsel at foretage løbende produktjusteringer. På vor hjemmeside [www.vitavia.dk](http://www.vitavia.dk) vil De altid kunne downloade den nyeste manual, som derfor kan afvige lidt fra Deres produkt. Manualens udgave kan identificeres ved hjælp af den talkode, der er trykt nederst på hver side i manualen. På hjemmesiden kan De også læse mere om vort store udvalg i tilbehørsartikler.

Alle målangivelser er ca.-mål.

Typebetegnelsen skal De bruge ved bestilling af evt. reservedele, så venligst opbevar montagevejledningen til senere brug.

Vi ønsker Dem god arbejdslyst og håber, at De får rigtig mange gode stunder med og i Deres Vitavia drivhus.



## Disposizioni di sicurezza

- 1. LEGGERE COMPLETAMENTE LE PRESENTI ISTRUZIONI DI MONTAGGIO PRIMA PRIMA DI INIZIARE I LAVORI!!**
- Durante il maneggio di vetro, pannelli di policarbonato o componenti di serre si raccomanda di portare sempre occhiali di protezione, guanti e calzature di sicurezza nonché un elmetto protettivo, poiché gli spigoli taglienti possono causare delle lesioni. I vetri rotti costituiscono un elevato rischio per la sicurezza. Eliminare i vetri rotti con la massima prudenza.
- Il prodotto acquistato è ideato per la coltivazione di piante e deve essere utilizzato esclusivamente per questo scopo.. Per qualsiasi altro utilizzo si declina ogni responsabilità.
- Per il montaggio di questo prodotto sono richieste due persone.
- Se si utilizza una scala a pioli è consigliabile la presenza di una seconda persona che la tenga ferma.
- Qualora dovessero verificarsi delle complicazioni durante l'operazione di montaggio della serra o all'inserimento della vetratura, vogliate contattare il vostro commerciante di fiducia – **Non usare in nessun caso la forza!**
- La serra deve essere ancorata al suolo.

## Descrizione della struttura

### SCelta DEL LUOGO

Scegliere possibilmente un posto al sole, ma al contempo protetto dal vento.

### IMPORTANTE

Prima di iniziare le operazioni di montaggio della serra, accertarsi che siano presenti tutti i componenti elencati. Prelevare i componenti dall'imballaggio, per poterli identificare meglio. È particolarmente importante non mischiare tra di loro i componenti aperti. Se nonostante un accurato controllo dovessero mancare delle parti, contattate il vostro rivenditore.

**Attenzione** – il lato resistente ai raggi UV dei pannelli a camera vuota è contrassegnato da una pellicola di plastica o da una nota stampata sui bordi. **Questo lato deve volgere verso l'esterno!**

Per sigillare accuratamente la serra si consiglia di utilizzare sigillante siliconico a reticolazione neutra. Come illustrato nelle figure (4b.4), (4b.5), (7a.7) e (7a.9). Il silicone è accluso.

### UTENSILI RICHIESTI

Giravite (piatto e a croce PH2)  
 Martello di gomma  
 2 scale (1.80 m)  
 Chiave da 10 mm  
 Chiave ad anello e a bocca  
 Coltello  
 Metro pieghevole  
 Livella a bolla  
 Avvitatore a batteria con coppia regolabile.

### MANUTENZIONE

Pulire periodicamente la serra con una soluzione detergente neutra non aggressiva. Il vetro può essere pulito con una soluzione non aggressiva, che non intacchi i componenti di materiale sintetico, i telai d'alluminio né le

graffe delle molle per i vetri. Pulire periodicamente la guida di scorrimento della porta.

### 0. FONDAMENTA

**Importante!** Il fondamento deve essere assolutamente ad angolo retto e livellato. Utilizzare a tal riguardo una livella a bolla e un angolare.

**Attenzione:** Se la distanza tra i due angolari situati dirimpetto è uguale, significa che le fondamenta sono state poste ad angolo retto.

Consigliamo di montare la serra su fondamenta solide costituite da calcestruzzo, mattoni o muratura. Se non si fosse in grado di costruire le fondamenta, incaricare una ditta specializzata. Materiale e gli utensili per la costruzione delle fondamenta non sono compresi nella fornitura.

Queste fondamenta consigliate consentono di inserire la porta in qualsiasi campo.

T trattare le fondamenta con antibirina.

**Tutti i disegni sono illustrati dalla parte interna della serra, salvo le illustrazioni, che sono rappresentate in una doppia cornicetta, le quali descrivono la parte esterna.**

### 1. PARETI LATERALI

**Attenzione:** Se la porta deve essere montata sul lato anteriore della serra, staccare uno dei profili intermedi (7311)ⓐ.

Spingere la guarnizione in silicone (7396) nel profilo del pavimento (7304-7307) e tagliarla alla lunghezza voluta (1.1)(1.2).

Collocare tutte le parti sul pavimento, introdurre le viti (7052) negli appositi canali e avvitarle. Spingere tutti gli angolari della gronda (7314-7317) negli angoli dei due

profili angolari (7310) (1.3) (1.4) e che i profili angolari (7310) e i profili intermedi (7311) siano perfettamente alloggiati sul bordo di montaggio dell'angolare della gronda (1.9) (1.12).

Montare i profili diagonali (7312) su entrambi i lati (1.3) (1.4) (1.10) (1.11). Fissarli al profilo del fondo con le viti (7050). Rimuovere i componenti (7050) durante i lavori di vetratura (fase 7b).

### 2. PANNELLO DEL FRONTONE SENZA PORTA

**Attenzione:** Se la porta deve essere montata su questo lato della casa, staccare il profilo intermedio (7311)(7311)ⓐ.

Inserire la guarnizione in silicone (7396) nel profilo del pavimento (7344) e tagliarla alla lunghezza voluta (2.1) (2.4).

Collocare tutte le parti sul pavimento e avvitare senza stringere, inserendo le viti (7052) negli appositi canali. Fissare il profilo della grondaia (7321) nell'incavo del profilo da parete (7344) (2.5) (2.6) e montare quindi i profili angolari (7344) al profilo del suolo (7301) (2.7) (2.8). Montare i profili intermedi (7311) (2.9) (2.10) al profilo del suolo (7301) e al profilo della grondaia (7321) (2.11).

Fissare il profilo diagonale (7313) (2.5) (2.6) (2.11) (2.12). Montarla sulla trave con le viti (7050). Rimuovere le viti (7050) durante i lavori di vetratura (fase 7b).

### 3. LATO DEL FRONTONE CON PORTA

**Attenzione:** Se la porta deve essere montata su un altro lato, fissare i profili intermedi (7311)ⓐ precedentemente staccati dalla posizione ⓑb.

Montare tutte le parti procedendo come nella fase 2.

#### 4a. ASSEMBLAGGIO DEGLI ELEMENTI LATERALI

Il capitolo (4a.1) mostra il montaggio della porta sul lato anteriore della serra.

Spingere la guarnizione in silicone (7396) nel profilo del colmo (7334-7337) e tagliarla alla lunghezza voluta (1.1)(1.2). Verificare se la guarnizione (7414-7417) è stata introdotta correttamente nella guida del profilo del colmo (4a.2) (4a.3).

Montare i montanti angolari (7310) con le teste delle viti (7052) in entrambi i canali delle viti (7310) (4a.5).

Fissare i profili della grondaia (7321) e (7322) ai montanti angolari (7310) e assicurarsi che facciano pressione contro il profilo angolare della gronda (4a.6).

Fissare i frontoni profilati agli angolari della gronda (4a.7) (4a.8). Assicurarsi che i frontoni profilati alloggiino correttamente sul bordo di montaggio dell'angolare della gronda (4b.6) e che i fori piccoli si trovino sul lato esterno dei componenti (7428/7429) ovvero all'estremità della grondaia (4a.7).

Montare il profilo del colmo (7334-7337) ai frontoni profilati (7428) (7429) e ai profili della parete (7344) (7345) (4a.9) (4a.10) per mezzo degli angolari (7348).

Montare i profili intermedi superiori ai frontoni profilati, utilizzando gli angolari (7348) (4a.11).

Collocare il telaio montato, posizionandolo contro la parete che poggia sulle fondamenta preparate. Assicurarsi che sia quadrato, quindi perforare dei fori da Ø 6 attraverso i fori preforati delle pareti e delle fondamenta dei componenti (7301), (7302), (7304-7307), (7344) e (7345). Inserire i fissaggi murali (7421) o (7422) nei fori e fissarli alle fondamenta e alla parete, utilizzando le viti (7411) e (7412) (4a.12).

#### 4b. PROFILI INTERMEDI DEL TETTO

Fissare i componenti (7052) e (7053) nel profilo del colmo, senza stringerli. Posizionare i profili centrali (7472) e inserire le viti senza testa (7052) nei canali delle viti (7472)(4b.1) (4b.2).

**Attenzione:** Assicurarsi che la guarnizione del colmo (7414-7417) sia piegata in avanti sui profili intermedi del tetto (7472) (4b.3).

Introdurre il componente (7052) nel canale delle viti del profilo centrale (7472) situato sul lato della gronda, quindi abbassarlo all'altezza dell'angolare della gronda, utilizzando la rondella (7395) e il dado (7053) (4b.4) (4b.5). Assicurarsi che i frontoni profilati alloggiino correttamente sul bordo di montaggio dell'angolare della gronda (4b.6) e **che i fori piccoli si trovino sul lato esterno dei componenti (7472) ovvero all'estremità della grondaia (4b.7).**

Praticare dei fori da Ø6 attraverso i fori preforati (7334-7337), inserire i tasselli (7422) nei fori e avvitare il profilo del colmo alla parete, utilizzando le viti (7412) (4b.8).

Aggiustare la serra, finché non sarà completamente quadrata. Solo allora sarà possibile stringere a fondo tutte le viti (7411) (7412) e i dadi (7053). **Le viti devono essere strettamente serrate, ma non eccessivamente.**

Inserire i raccordi a gomito (7331) in tutti i profili intermedi laterali (7311) e nel profilo centrale del tetto (7472), introducendo le viti con testa di martello (7399) nei relativi canali (4b.9) (4b.10).

#### 5. FINESTRINO LATERALE

Avvitare il profilo inferiore della finestra (7451) ai profili laterali (7453) e (7454) (5.2) (5.3). Introdurre la lastra D nelle guide (5.5) dei profili montati (5.4) (5.5). Inserire i componenti (7052) e (7053) nel profilo superiore della finestra (7450) e infilarli nei componenti (7453) e (7454), tenendo conto che le teste delle viti del componente (7052) devono essere inserite nei canali delle viti, i vetri, invece, nei canali di vetratura (5.6) (5.7).

**Attenzione:** Se si ha scelto la vetratura da 4 mm, tagliare la guarnizione (7420) alla lunghezza voluta e inserirla nei canali di vetratura situati sul lato interno della finestra, per fissare le lastre di vetro (5.8) (5.9)

Controllare se le finestre sono poste ad angolo retto prima di stringere le viti.

**Le viti devono essere strettamente serrate, ma non eccessivamente.**

Introdurre la guarnizione della spazzola (7457) nelle guide e nei profili laterali (7454) (7450) (7453) (5.10) e tagliarla alla lunghezza voluta.

**Attenzione:** Se la guarnizione della spazzola (7457) si sposta in modo visibile nel momento in cui la finestra viene chiusa (vedi fase 8) è possibile accorciarla (5.10).

Montare il supporto finestra (7090) rizzando la piastra distanziale (7413) e due viti (7349) (7349) (5.11) (5.12).

Applicare le calotte di plastica (6070) tutte le viti (7053) (5.13).

#### 6a. PORTE SCORREVOLI

Introdurre la guarnizione della spazzola (7332) nelle guide delle porte in die Türführungen (7352) (7353) (7355) (7356) (7357) (6a.2) e tagliarle alla lunghezza voluta.

Fissare i rulli di scorrimento delle porte (7364) ai profili inferiori della porta (7355) utilizzando i distanziali (7392) su ogni lato del rullo, la vite (7393), il dispositivo di serraggio (7350) e il dado autofilettante (7360) (6a.3). Avvitare

i profili inferiori della porta (7355) ai profili laterali (7357) o (7358).(6a.3) (6a.7a).

Congiungere i profili centrali della porta (7354) e (7384) alla serratura a catenaccio della cassa a due ante (7400) (7401) e (7402) utilizzando le viti (7404). Fissare i montanti laterali (7357) o (7358) con le viti (7052) e i dadi (7053) e con le viti (7405) (6a.4) (6a.5) (6a.8). **Stringere le viti (7404) e (7405), ma non eccessivamente.**

Avvitare i profili superiori della porta (7352) o (7353) ai profili laterali della porta (7357) o (7358) (6a.6) (6a.7b).

Introdurre le lastre G nelle guide della vetratura delle parti montate (6a.9).

Introdurre i componenti (7052) e (7053) nei profili laterali della porta (7356) e inserirli nei componenti (7355), (7354) o (7384) e (7352) o (7353), quindi adattare le teste delle viti (7052) nei canali delle viti e adattare la vetratura nei canali della vetratura, (6a.9) (6a.10). Inserire le guide (2271) nelle due porte (6a.6).

**Attenzione:** Se si ha scelto la vetratura da 4 mm, tagliare la guarnizione dei vetri (7420) alla lunghezza voluta e inserirla nei canali di vetratura situati sul lato interno della porta, per fissare le lastre di vetro. (6a.11).

#### 6b. TELAIO DELLA PORTA E SOGLIA

Fissare il rinforzo della porta (7362) con le viti (7390) nel vano della porta avvitandole al profilo del suolo (6b.1) (6b.2).

Inclinare la guida di scorrimento della porta (7351) per introdurrla nel profilo della soglia e per portarla in posizione (6b.3). Collocare il vano della porta al centro e avvitare alle fondamenta con le viti (2002) e i tasselli (2003) (6b.4).

Avvitare i telai laterali della porta (7361) ai profili intermedi (7311). Una volta posizionati, avvitare sulla parte superiore le viti (7052) e i dadi (7053) (6b.5) – (6b.8).

Introdurre le viti (7052) nei canali da entrambi i lati della soglia (7363) (6b.9) e collocare la soglia nella giusta posizione (6b.10)(6b.11).

#### 7. PANORAMICA DELLE LASTRE DI VETRO

Prima di iniziare i lavori, smistare le lastre di vetro in base alle dimensioni dei modelli e al tipo di vetratura. Se si ha scelto la versione vitrea, le lastre E ed F saranno identiche su entrambi i lati.

**Attenzione** – il lato resistente ai raggi UV dei pannelli a camera vuota è contrassegnato da una pellicola di plastica o da una nota stampata sui bordi. **Questo lato deve volgere verso l'esterno!** Prima di effettuare il montaggio, staccare la pellicola da tutti i

bordi a una distanza di ca. 2 cm. Staccare completamente la pellicola una volta inserite le lastre.

### 7a. VETRATURA DEL TETTO / GRONDAIA

Inserire la vetratura del tetto nelle guide dei profili del tetto (7a.2) (7a.3).

Quando le due lastre sono posizionate una accanto all'altra, applicare i dispositivi di arresto della vetratura (7342) o (7343) sul profilo del tetto (7a.4) (7a.5), facendoli passare attraverso i fori per mezzo delle viti autofilettanti (7349). Le viti devono poter scivolare giù e rimanere incastrati nei dispositivi di arresto summenzionati.

**Attenzione:** Assicurarsi che la guarnizione del colmo (7414-7417) sia piegata in avanti sulle lastre del tetto B (7a.6).

Accostare il profilo della grondaia (7324-7327) alla scanalatura dell'angolare della gronda (7a.7) e tirarlo verso il basso, affinché faccia pressione contro l'angolare stesso. Alternativamente il profilo della grondaia può essere inserito anche lateralmente. Avvitarlo dall'esterno all'angolare della gronda con le viti (7052), e dall'interno della serra, utilizzando i dadi (7053) (7a.8).

Applicare il distanziale (7424) sui bordi interni dell'angolare della gronda (7a.10), il distanziale (7425) va invece applicato sui bordi interni del profilo del colmo (7a.11). Fissare il componente (7425) al colmo (7a.11) con le viti (7349).

**Attenzione:** Nelle serre con pannelli di polycarbonato la formazione di condensa è un fenomeno inevitabile, ma può comunque essere ridotta sostituendo le parti (7424/7425) con il componente (7423\*). Il risultato sarebbe una migliore ventilazione degli interni, in modo da ridurre la formazione di condensa. Utilizzare le viti (7349) per fissare il componente (7423\*) al centro di ogni campo della gronda e del colmo (7a.12).

### 7b. VETRATURA LATERALE

Scegliere ora i punti nei quali installare le due finestre laterali. Attenzione: non è possibile installare le finestre in un punto situato su un angolo o direttamente accanto alla porta d'ingresso. In mezzo deve trovarsi una completa sezione. In questi punti vengono installate le lastre di vetro H, anziché le lastre di vetro A.

Inserire la guarnizione dei vetri (7382) nella scanalatura superiore (7381) e tagliarla alla lunghezza voluta.

Nelle vetrate con lastre di vetro, inserire la guarnizione dei vetri (6090) nei profili di alluminio (7.2) e tagliarle alla lunghezza voluta.

**Attenzione:** Si consiglia di tagliare a una misura leggermente più corta le guarnizioni dei

vetri (6090) poggianti sulle guide orizzontali e di posizionarle centralmente. In questo modo è possibile scaricare la condensa accumulatasi all'interno.

**Attenzione:** le vetrate in polycarbonato non hanno bisogno di guarnizioni di gomma.

Inserendo le teste delle viti (7050) nelle diverse guide del listello di copertura è possibile invetriare la serra con lastre da ≤ 4 mm, 10 mm o 16 mm di spessore. (7B.2). Inserire in ogni listello di copertura le viti (7050), come illustrato al capitolo (7b.3).

Nelle vetrate da 10 mm bisogna introdurre 1 distanziale (7407) al centro/sopra ogni piastra A (7b.4). Inserire ogni lastra di vetro A Nel telaio e avvitare i listelli di copertura verticali (7372), (7373) o (7374) senza stringere i dadi (7053).

Sollevarla la lastra A di 15 mm e congiungerla all'altra lastra utilizzando i listelli di copertura (7381).

**Attenzione:** Rimuovere le viti (7050) utilizzate per tenere fissati i profili diagonali (vedi fase 1, 2 e 3) e rimontarle (7b.8).

Per le vetrate con spessore di 10 mm, introdurre 4 distanziali (7409) rispettivamente nei componenti (7321) e (7322) (2 distanziali per ogni lastra E ed F) (7b.5) (7b.6). Aggiustare le lastre E ed F. Montare i listelli di copertura (7377) o (7378) e installare i componenti (7375) / (7379) o (7376) / (7380), senza stringerli.

**Stringere le viti, ma non eccessivamente.**

**Attenzione:** Il miglior modo per montare i listelli di copertura verticali consiste nell'inserire nel foro dapprima la vite superiore, poi quella centrale e infine la vite inferiore. Assicurarsi che i listelli di copertura rimangano in contatto con il profilo del suolo.

### 8. MONTAGGIO DELLA FINESTRA LATERALE

Rimuovere i dadi (7053) dai listelli di copertura verticali (7372) situati sui profili centrali (7311) accanto all'apertura della finestra. Inserire i componenti (7053) e (7399) nei fori inferiori dei telai della finestra (7311) al di sopra della lastra H (8.2) e rimontare la cappa di plastica (7053) (8.3) (8.4).

Introdurre i componenti (7053) e (7399) nel foro inferiore del profilo del davanzale (7452). Ruotare il profilo in modo che chiuda la lastra di vetro H e il dado centrale visibile da entrambe i lati (7452)(8.5). Fissare nuovamente il dado centrale visibile (7053) (8.6).

Avvitare la cerniera della finestra (7419) con le viti (7088) ai telai (7455) e (7456) (8.7).

**Attenzione:** Utilizzare solo gli appositi fori

nella cerniera.

Fissare la finestra premontata (vedi fase 5) ai profili laterali con cerniere (7419) utilizzando le viti (7088). **Attenzione:** Utilizzare solo gli appositi fori nella cerniera.

Chiudere la finestra e assicurarsi che chiuda sul davanzale (7452) senza entrare in contatto con la superficie. L'altezza della finestra può essere aggiustata con l'ausilio dei fori nella cerniera (7419). Se la finestra è stata aggiustata correttamente, fissarla avvitando altre viti nei rimanenti fori.

Montare i perni a scatto (6056) sul profilo del davanzale (7452) utilizzando le viti (7403) (8.9). Piazzarle, allineando i fori lunghi nel supporto finestra (7090) quando questa è chiusa (8.10).

Se la finestra è chiusa, innestare il relativo supporto (7090) con i due perni a scatto (6056), per chiuderla. (8.10).

**Attenzione:** Se la guarnizione della spazzola (7457) nel profilo superiore della finestra (7450) si sposta durante la fase di chiusura della finestra, potrà essere accorciata. Per maggiori dettagli vedi capitolo (5.10).

Procedere nello stesso modo per montare le altre finestre.

### 9. LE ULTIME OPERAZIONI

Introdurre i raccordi (7370) e (7371) nelle due estremità del profilo della grondaia (7324-7327) (9.1) (9.2).

**Attenzione:** Può essere utile tirare via delicatamente il profilo della grondaia dal bordo superiore della serra, in modo da ingrandire l'apertura della plastica.

Inserire le viti con testa di martello (1412) nel relativo canale situato all'estremità inferiore del profilo angolare (7310) e avvitare dai due lati i componenti (1405) e (1409) utilizzando il dado di alluminio (1002) (9.3). Montare il gomito (1402) situato all'estremità del tubo di scarico della pioggia (1415) (9.6) e collegarlo ai raccordi della grondaia (7370) o (7371) (9.9). Tendere la graffa (1403) che avvolge il pluviale e collegarla con i componenti (1409) (9.4). Inserire la vite (1006) per fissare il tubo di scarico della pioggia (9.5).

Montare l'elemento di guida (7359) nel vano della porta. Fissarlo ai componenti (7321), (7322) o (7324-7327) con le viti (7052), che vengono introdotte nell'apposito canale situato sul lato esterno di questi profili, e con i dadi (7053). (9.8).

Inserire dall'alto le viti (7352) nelle due estremità del profilo dell'elemento di guida della porta (7359), quindi stringerle, avvitando dal di sotto i dadi (3002), per limitare l'apertura della porta. (9.8) (9.9).

Inserire gli elementi scorrevoli in plastica della porta (2771) nel profilo della porta (7359) (9.10) e disporre le rotelle sotto la guida di corsa della porta (7351) (9.11b). Agganciare i fermaporta (7350) sotto al nasello (7351) e stringere le viti delle rotelle della porta (7360) (9.11).

Applicare le calotte di plastica (6070) su tutti i dadi disponibili (7053) della serra (09:12).

**Attenzione:** Si consiglia di utilizzare sigillante siliconico a reticolazione neutra da applicare dall'esterno tra il profilo del colmo e la parete (9.7). Il silicone non è compreso nel volume di consegna.

#### LAVORI FINALI

Opzionalmente è anche possibile sigillare gli angoli della serra con sigillante siliconico a reticolazione neutra. Il silicone non è compreso nel volume di consegna.

Applicare dall'interno il presente adesivo di avvertimento.

Controllare ogni 2 settimane dopo il montaggio se le viti sono strette a fondo.

Il vostro rivenditore dispone di un assortimento completo di accessori per serre. Contattatelo.

#### INFORMAZIONI DI SICUREZZA

In presenza di vento forte si raccomanda di mantenere chiuse tutte le aperture e la porta. Rimuovere tempestivamente la neve dai tetti delle serre in modo da evitare carichi di neve pericolosi. Riscaldare la serra in inverno.

#### NOTE

Per garantire la protezione completa della serra vi consigliamo di includerla nella vostra polizza assicurativa domestica. Osservare eventuali prescrizioni edilizie locali vigenti.

Dopo aver completato il montaggio della serra, incollare l'adesivo di identificazione fornito in dotazione sul corpo della ruota (7353) o (7353). La denominazione del tipo è richiesta per specificare eventuali pezzi di ricambio da ordinare.

Conservare sempre le istruzioni per il montaggio!

Tutte le misure specificate sono valori approssimativi. Con riserva di modifiche.



# Środki Bezpieczeństwa

## 1. PRZED ROZPOCZĘCIEM MONTAŻU PROSZĘ PRZECZYTAĆ DO KOŃCA TĘ INSTRUKCJĘ!

- Przy obchodzeniu się ze szkłem, płytami z poliwęglanu lub częściami szklarni należy nosić zawsze okulary ochronne, rękawice ochronne, buty ochronne i ochronę na głowę, ponieważ ostre krawędzie mogą spowodować obrażenia. Potłuczone szło stanowi element ryzyka. Proszę usunąć je z zalecaną ostrożnością.
- Produkt, który został nabyty przez Państwa, został skonstruowany do hodowli roślin i może być używany wyłącznie do tego celu. W przypadku innego zastosowania wyklucza się wszelką odpowiedzialność.
- Zaleca się montowanie produktu we 2 osoby.
- Podczas używania drabiny jedna osoba powinna zabezpieczać ją przez cały czas pracy drugiej osoby.
- Jeżeli będą mieli Państwo problemy podczas montażu szklarni lub w trakcie zakładania oszklenia, to proszę skontaktować się z Państwem sprzedawcą – **proszę nie używać siły!**
- Szklarnię należy zakotwiczyć.

## Instrukcja Montażu

### WYBÓR MIEJSCA

Proszę wybrać słoneczne miejsce, ale jednocześnie chronione przed wiatrem.

### WAŻNE

Zanim rozpoczną Państwo montaż szklarni, należy sprawdzić, czy występują wszystkie części wymienione na liście. Proszę wyjąć poszczególne paczki z opakowania, aby było możliwa ich lepsza identyfikacja.

Należy zwrócić uwagę, aby otwarte paczki nie wymieszały się między sobą.

Jeżeli brakuje czegoś, to proszę skontaktować się z dostawcą.

**Zauważ** - Strona poliwęglanu odporna na promieniowanie UV jest wskazana przez plastikową nalepkę lub nadruk na krawędzi. **Ta strona musi być umieszczona na zewnątrz.**

W celu efektywnego uszczelnienia szklarni sugeruje się użycie neutralnego silikonu jak pokazano w diagramach (4b.3), (4b.4), (7a.7) i (7a.9). Silikon jest zapewniony w tym celu.

### POTRZEBNE NARZĘDZIA

Śrubokręt (normalny i krzyżak PH2)

Gumowy młotek

2 x 1.8m drabina

Pierścieniowy klucz płaski 10 mm

Nóż

Całówka

Poziomica

Wkrętarka akumulatorowa z odpowiednią końcówką

### KONSERWACJA

Szklarnia powinna być od czasu do czasu gruntownie czyszczona za pomocą neutralnego środka piorącego. Szklko może

być myte środkiem czyszczącym, który nie jest agresywny w stosunku do tworzyw sztucznych, ram aluminiowych, a także klamer sprężynowych mocujących szkło. Należy regularnie czyścić szynę jezdną drzwi.

### 0. BAZA FUNDAMENTOWA

**Ważne!** Baza fundamentowa musi mieć właściwe kąty i być płaska. Żeby to uzyskać potrzeba poziomiccy i właściwego kątownika.

**Zauważ** – jeśli odległość między dwoma przeciwległymi rogami jest taka sama to baza ma właściwe kąty.

W celu wzniesienia tej szklarni sugerujemy solidne fundamenty w postaci betonu, kostki lub kamienia. W razie braku doświadczenia w tej dziedzinie należy skontaktować się z firmą, która zapewnia takie usługi. Materiały i narzędzia zalecane do zrobienia bazy fundamentowej nie są zapewnione. Zasugerowane rozwiązanie fundamentowe pozwala na umieszczenie drzwi po dowolnej stronie szklarni.

Zasugerowana baza fundamentowa pozwala na zamocowanie drzwi po dowolnej stronie szklarni.

Fundament musi sięgać poniżej poziomu przemarzania.

**Wszystkie rysunki przedstawione są od strony wewnętrznej domku, z wyjątkiem rysunków, które przedstawione są w podwójnej ramce. Pokazują one widok z zewnątrz.**

### 1. CZĘŚCI PRZODU

**Zauważ** – Jeśli drzwi będą montowane po tej stronie szklarni usuń środkowy drążek. (7311)Ⓞ

Wciśnij uszczelkę (7396) w parapet (7304 - 7307) i przytnij do odpowiedniej długości (1.1)

(1.2).

Rozłóż wszystkie części zgodnie z modelem na podłodze i luźno skręć, wprowadzając śruby (7052) do kanałów.

Upewnij się, że kątowniki okapu (7314 – 7317) są wciśnięte w róg obu drążków narożnych (7310) (1.3) (1.4) oraz, że drążki narożne (7310) i środkowe (7311) są właściwie umieszczone na kątowniku okapu. (1.9)(1.12).

Zamontuj przekątne belki (7312) po obu stronach (1.3) (1.4) (1.10) (1.11). Na parapecie przykręć luźno za pomocą śruby (7050). (7050) zostanie usunięte podczas szklenia (sekcja 7b).

### 2. KONIEC ŚCIANY SZCZYTOWEJ BEZ DRZWI

**Zauważ** – Jeśli drzwi będą montowane po tej stronie szklarni usuń środkowy drążek. (7311)Ⓞ.

Wciśnij uszczelkę (7396) w parapet (7301) i drążek ścienny (7344) i przytnij do odpowiedniej długości (2.1) – (2.4).

Rozłóż wszystkie części na podłodze i luźno skręć, wprowadzając śruby (7052) do kanałów.

Zamontuj końcowy drążek (7321) we wgłębieniu ramy ściany (7344) (2.5) (2.6) następnie (7344) do parapetu (7301) (2.7) (2.8). Zamontuj środkowe drążki (7311) (2.9) (2.10), zwracając uwagę na kątownik okapu. (1.9).

Zamontuj przekątną belkę (7313) (2.5) (2.11) (2.12). Na parapecie przykręć luźno za pomocą śruby (7050). (7050) zostanie usunięte podczas szklenia (sekcja 7b).

### 3. STRONA SZCZYTOWA Z DRZWIAMI

**Zauważ** – Jeśli drzwi mają na drugiej stronie zamontuj (7311)Ⓞ, który wcześniej został usunięty w pozycji Ⓞb.

Zmontuj wszystkie części jak w Sekcji 2.

#### 4a. ŁĄCZENIE BOCZNYCH ELEMENTÓW

(4a.1) pokazuje montaż 4a jeśli drzwi mają być na przodzie domku

Wciśnij uszczelkę (7396) do kalenicy (7334 – 7337) i przytnij odpowiednio. Sprawdź czy uszczelka (7414) została właściwie wprowadzona w prowadnicę kalenicy. (4a.2) (4a.3).

Luźno wprowadź śruby (7052) i nakrętki (7053) do parapetu (7301) i (7302) jak widać w (4a.4). Obniż drażki narożne (7310) wpasowując główki śrub z (7052) do kanałów (7310) (4a.5).

Assemble the ridge bar (7334 - 7337), roof corner bars (7428) (7429) and wall bars (7344) (7345) (4a.9) (4a.10) using plate (7348).

Note: Ensure the ridge seal (7414 - 7417) is bent forward over the roof corner bars (4a.10).

Assemble end middle bars (7346) (7347) to the end bars and the roof corner bars using plate (7348) (4a.11).

Połącz drażki końcowe (7321) i (7322) z drażkami narożnymi (7310) upewniając się, że są oparte na kątowniku okapu. (4a.6).

Zamontuj narożne drażki dachowe do kątownika okapu (4a.7) (4a.8). Upewnij się, że drażki narożne dachu są właściwie umieszczone na kątowniku okapu (4b.5) oraz, że niewielkie otwory na zewnątrz (7428 / 7429) znajdują się na końcu okapu (4a.7). Zmontuj kalenicę (7334 – 7337), drażki narożne dachu (7428) (7429) oraz drażki ściennie (7344) (7345) (4a.9) (4a.10) używając blachy (7348).

**Zauważ:** Upewnij się, że uszczelka kalenicy (7414 – 7417) jest wygięta nad narożnymi drażkami dachowymi.

Zamontuj końcowe drażki (7346) (7347) do końcowych drażków i drażków narożnych dachu za pomocą blachy (7348) (4a.11).

Umieść zmontowaną ramę na ścianie na przygotowanej bazie, upewnij się, że jest pozioma i wywierć  $\varnothing 6$  otwory przez przygotowane otwory w (7301), (7302), (7304 – 7305), (7344) i (7345) na ścianie i w bazie. Wprowadź kołki ściennie (7421) lub (7422) w otwory i luźno przykręć do bazy fundamentowej i ściany za pomocą śrub (7411) i (7412) (4a.12).

#### 4b. ŚRODKOWE DRAŻKI DACHOWE

Przygotuj luźno (7052) i (7053) w kalenicy i wsuń środkowe drażki (7472) do pozycji, w której główki śrub (7052) będą w kanałach (7472) (4b.1) (4b.2).

**Zauważ:** Upewnij się, że uszczelka kalenicy (7414 – 7417) jest nagięta nad narożnymi drażkami dachowymi (7472) (4b.3).

Wprowadź (7052) do kanału w (7472) okapie i

obniź do kątownika okapu za pomocą podkładki uszczelniającej (7395) i nakrętki (7053) (4b.4) (4b.5). Upewnij się, że (7472) jest prawidłowo umiejscowione na kątowniku okapu (4b.6) oraz, że niewielki otwór na zewnątrz (7472) znajduje się na końcu okapu (4b.7).

Wywierć  $\varnothing 6$  otwory przez przygotowane otwory w (7334 – 7337). Wprowadź kołki ściennie (7422) do otworów i luźno przykręć kalenicę do ściany za pomocą śrub (7412) (4b.8).

Dopasuj ramę dopóki nie będzie dokładnie dopasowana kątami i dokręć wszystkie śruby (7411) i (7412) i nakrętki (7053). **Nie należy dokręcać ich za mocno.**

Zamontuj wsporniki narożne (7331) pomiędzy każdym drażkiem środkowym boku (7311) i sufitu (7472) poprzez wprowadzenie śrub ze ściętym łbem (7399) do kanałów (4b.9) (4b.10).

#### 5. OKNO BOCZNE

Połącz dolny słupek okna (7451) z bocznymi drażkami (7453) i (7454) (5.2) (5.3).

Wsuń szybę D na miejsce (5.5) do złożonych części (5.4) (5.5).

Luźno przygotuj (7052) i (7053) w górnym słupku okna (7450) i wsuń do (7453) i (7454) dopasowując główki śrub (7052) do kanałów i wsuń szkło na miejsce (5.6) (5.7).

**Zauważ** – Jeśli wybrałeś 4mm oszklenie, przytnij uszczelkę do szkła (7420) tak, by pasowała i wciśnij w wolną przestrzeń wewnątrz okna żeby zamocować szkło na miejsce. (5.8) (5.9).

Sprawdź czy okno boczne ma właściwe kąty przed dokręceniem wszystkich śrub.

**Nie należy dokręcać ich zbyt mocno.**

Wprowadź uszczelkę szczotkową (7457), używając konsekwentnie jednej długości przy prowadnicach na górnych i bocznych drażkach (7454) (7450) (7453) (5.10) i przytnij do odpowiedniej długości.

**Zauważ** – Jeśli uszczelka szczotkowa (7457) będzie wystawać poza górną krawędź (7450) podczas zamykania okna, można ją bardziej przyciąć (5.10).

Połącz otwieracz do okna (7090) z (7451) za pomocą odstępника (7413) i dwóch śrub (7349) (5.11) (5.12).

Zalóż plastikowe nasadki na nakrętki (6070) wciskając je na wszystkie nakrętki. (7053) (5.13).

#### 6a. DRZWI PRZESUWANE

Wprowadź uszczelnienie (7332) do prowadnicy w profilach drzwi (7352) (7353) (7355) (7356) (7357). (6a.2) i przytnij odpowiednio.

Przykręć luźno kółka (7364) do dolnych profili drzwi (7355) (6a.3), używając odstępników (7392) po każdej stronie kółka, śruby (7393), kątownika (7350) i nakrętki (7360).

Połącz (7355) z bocznymi profilami drzwi (7357) lub (7358) (6a.3) (6a.7a).

Zmontuj środkowe drażki (7354) lub (7384) z częściami zamków (7400), (7401) i (7402) za pomocą śrub (7404). Połącz z bocznymi profilami drzwi (7357) lub (7358) za pomocą śrub (7052), nakrętek (7053) i śrub (7405) (6a.4) (6a.5) (6a.8). **Nie dokręcaj śrub (7404) i (7405) zbyt mocno.**

Połącz górne profile drzwi (7352) i (7353) do bocznych profili drzwi (7357) lub (7358) (6a.6) (6a.7b).

Wsuń szybę G na miejsce do złożonych części (6a.9).

Luźno skręć (7052) i (7053) do bocznych profili drzwi (7356) i wsuń do (7355), (7354) lub (7384) i (7352) lub (7353), wpasowując główki śrub (7052) do kanałów i szyby na miejsce (6a.9) (6a.10). Wprowadź prowadnice drzwiowe (2271) nad drzwi (6a.6).

**Zauważ** – Jeśli wybrałeś 4mm oszklenie, przytnij uszczelkę (7420) tak, żeby wcisnąć ją do kanałów wewnątrz drzwi i umieścić szybę na miejsce. (6a.11).

#### 6b. RAMA I PRÓG DRZWI

Przymocuj wspornik drzwi (7362) do parapetu na obszarze otwierania się drzwi za pomocą śrub (7390) (6b.1) (6b.2).

Pochyl szynę jezdnią drzwi (7351) tak, żeby zmieścić parapet i obniź na miejsce (6b.3). Wyśrodkuj otwieranie drzwi i połącz do bazy fundamentowej za pomocą kołków (2003) i śruby (2002) (6b.4).

Przymocuj boczne ramy drzwi (7361) do środkowych drażków (7311). Kiedy będą na miejscu przymocuj je na górze za pomocą śrub (7052) i nakrętki (7053) (6b.5) – (6b.8).

Na dole wprowadź śrubę (7052) do kanału po obu stronach progu (7363) (6b.9) i wsuń próg na miejsce (6b.10) (6b.11).

#### 7. OMÓWIENIE SZKLENIA

Przed rozpoczęciem należy posortować szyby zgodnie z wielkością twojego modelu i typu szklenia. Jeśli wybrałeś szkło – szyby E i F

będą identyczne po obu stronach.

**Zauważ** – Strona szyb poliwęglanowych odporna na promieniowanie ultrafioletowe jest wskazana przez plastikową nalepkę lub nadruk na krawędzi. Ta strona musi być skierowana na zewnątrz. Przed montażem poluzuj folię na 2 cm od krawędzi każdej szyby.

#### 7a. SZKLENIE DACHU / OKAPU

Wsuń oszklenie dachowe w prowadnice w kształtownikach dachowych (7a.2) (7a.3). Kiedy dwie sąsiednie szyby są na miejscu przykręć między nimi ograniczniki (7342) lub (7343) do kształtownika dachu, używając przygotowanych otworów i samodzielnie wkręcając śruby (7349) (7a.4) (7a.5). Szyby powinny zsunąć się w dół i zatrzymać na ogranicznikach.

**Zauważ:** Upewnij się, że uszczelka kalenicy (7414 – 7417) jest nagięta nad szybami dachowymi B (7a.6).

Nachyl drążek okapu (7324 – 7327) do kątownika okapu (7a.7) i obróć tak, żeby opierało się o kątownik okapu. Połącz go z kątownikiem okapu za pomocą śrub (7052) z zewnątrz i za pomocą nakrętek od wewnątrz domku (7a.8).

Wprowadź odstępnik (7424) przez wewnętrzną krawędź kątownika okapu (7a.10) oraz odstępnik (7425) przez wewnętrzną krawędź kalenicy (7a.11). Na kalenicy zamocuj (7425) na miejscu za pomocą śrub (7349) (7a.11).

**Zauważ:** Zjawisko skraplania w szklarni jest nieuniknione z uwagi na szyby poliwęglanowe, choć może być zredukowane poprzez wymianę części (7424 / 7425) na (7423\*). Pozwoli to na efektywniejszą wentylację wnętrza i zmniejszy efekt skraplania. Należy użyć śrub (7349) do przykręcenia (7423\*) po środku każdego pola okapu i po środku każdego pola kalenicy, gdzie nie ma wywietrznika.

#### 7b. OSZKLENIE BOKÓW

Na tym etapie należy zdecydować w której sekcji zostaną zamontowane dwa boczne okna.

**Zauważ:** Nie mogą one zostać zamontowane w sekcji narożnej lub w sekcjach przylegających do drzwi wejściowych. W tych sekcjach zostaną zamontowane szyby H zamiast szyby A.

Wciśnij uszczelkę (7382) w wyłobienie na górze każdego (7381) i przytnij do odpowiedniej długości.

Jeśli szyby są z szkła, wciśnij uszczelkę (6090) do aluminiowych kształtowników (7b.2) i przytnij do odpowiedniej długości. Zauważ - na wszystkich poziomych prowadnicach szkła zaleca się użyć mniejszą długość uszczelki

(6090) po środku każdego pola. Pozwoli to na odpływ wody, która skropli się wewnątrz szklarni.

**Zauważ** - Przy poliwęglanie guma do szkła nie jest wymagana.

Poprzez umiejscowienie (7050) głowy śruby w różnych prowadnicach w uszczelnieniu szkła możliwe jest oszklenie szklarni ≤ 4 mm, 10 mm lub 16 mm szybami. (7b.2). Przygotuj śruby (7050) w każdym uszczelnieniu szkła jak pokazano (7b.3).

Dla 10mm szklenia przygotuj 1 odstępnik (7407), po środku/na górze każdej szyby A (7b.4). Umieść każdą szybę A lub H w ramie i luźno skręć z pionowym uszczelnieniem (7372), (7373) lub (7374) za pomocą nakrętek (7053).

Podnieś szybę A lub H 15 mm i skręć luźno uszczelnienie (7381) pod szybą.

**Zauważ** - Śruby (7050), które utrzymują przekątne wsporniki w sekcjach 1, 2 i 3 powinny w tym momencie zostać zastąpione (7b.8).

Dla oszklenia 10mm przygotuj 4 odstępniki (7409) do każdego (7321) i (7322) (2 odstępniki dla każdej szyby E i F) (7b.5) (7b.6). Umieść szyby E i F. Skręć luźno uszczelnienie (7377) lub (7378), następnie (7375) / (7379) lub (7376) / (7380).

**Dokręć wszystkie nakrętki, ale nie za mocno.**

**Zauważ** – poziome uszczelnienie należy montować dopiero po tym, jak w pierw górna śruba zostanie wprowadzona w otwór, następnie środkowa i dolna na końcu. Upewnij się, że uszczelnienie pozostaje w kontakcie z parapetem.

#### 8. MONTAŻ OKIEN BOCZNYCH

Usuń nakrętki (7053) z dwóch górnych śrub przytrzymujących uszczelnienia (7372) w środkowych drążkach (7311) z wyłączeniem otworu okna. Skręć luźno (7053) i (7399) w niższym otworze w bocznej futrynie okna (7455) i (7456) (8.1).

Obróć boczne futryny okienne (7455) i (7456) do środkowych drążków (7311) ponad szybą H (8.2) i połącz na powrót górną nakrętkę uszczelnienia (7053) (8.3) (8.4).

Skręć luźno (7053) i (7399) w niższym otworze parapetu (7452). Przekręć tak, by zakrywało szybę H, wpasowując środkową śrubę uszczelniającą w górny otwór po obu stronach (7452) (8.5). Połącz na powrót środkową nakrętkę uszczelnienia (7053) (8.6).

Przymocuj zawias (7419) do bocznej framugi okna (7455) i (7456) używając śrub (7088) (8.7). **Zauważ:** Łącz tylko za pomocą przygotowanych, podłużnych otworów w

zawiasach.

Zamontuj przygotowane okno boczne (zobacz sekcję 5) między dwoma zawiasami (7419) za pomocą śrub (7088). **Zauważ:** Łącz tylko za pomocą przygotowanych, podłużnych otworów w zawiasach.

Zamknij okno i upewnij się, że się zamyka bez przeszkód ponad parapetem (7452). Wysokość okna może być regulowana za pomocą podłużnych otworów w zawiasie (7419) oraz po prawidłowym zamocowaniu poprzez wprowadzenie dwóch dodatkowych śrub do pozostałych otworów.

Przykręć zamknięcia do okien (6056) do parapetu (7452) za pomocą śrub (7403) (8.9). Ustaw je równo z podłużnymi otworami w otwieraczu do okna (7090) kiedy okno będzie zamknięte (8.10). Kiedy okno jest zamknięte otwieracz do okna (7090) może być przyczepiony do obu (6056) w celu zamykania okna (8.10).

**Zauważ** – Jeśli uszczelnienie szczotkowe (7457) wystaje poza górną krawędź (7450) podczas zamykania okna, można ją bardziej przyciąć, zobacz szczegółowo (5.10).

Powtórz dla innych okien.

#### 9. KROKI KOŃCOWE

Wprowadź plastik okapu (7370) i (7371) na oba końce okapu (7324 – 7327) (9.1).

**Zauważ** – Delikatne odsunięcie okapu na górną krawędź, z daleka od domku tak, żeby ułatwić otwieranie.

Wprowadź śrubę ze ściętym łbem (1412) do kanału na dole narożnego pręta (7310) i połącz części (1405) i (1409) za pomocą aluminiowej wkrętki (1002) po obu stronach (9.3). Dopasuj kolanko (1402) na spodzie dolnej rury (1415) (9.6) następnie połącz je do plastiku okapu (7370) lub (7371) (9.9). Umieść zacisk (1403) na dolnej rurze i połącz z (1409) (9.4). Wprowadź śrubę (1006) żeby przymocować rurę (9.5).

Zamontuj szyny (7359) do otwierania drzwi. Połącz z (7321), (7322) lub (7324 – 7327) poprzez wprowadzenie śrub (7052) do tunelu na zewnątrz słupków i przykręć za pomocą nakrętek (7053) (9.8). Z zewnątrz uwzględnij śrubę (7052) po obu końcach szyny drzwi (7359) a od wewnątrz w środku prowadnicy drzwi nakrętkę (3002) żeby zapobiec wysuwaniu się drzwi z toru (9.8) (9.9).

Umieść drzwi poprzez wprowadzenie plastikowych prowadnic drzwiowych (2271) do prowadnicy w szynach drzwi (7359) (9.10) (9.11a), następnie opuść koła na szyny (7351) (9.11b). Przyczep kątowniki drzwi (7350) pod krawędzią na (7351) i dokręć nakrętki



zabezpieczające (7360) (9.11b).

Zamocuj plastikowe nasadki na nakrętki (6070) poprzez wciśnięcie ich na wszystkie widoczne nakrętki (7053) wewnątrz budynku (9.12).

**Zauważ** – Zalecamy uwzględnienie kropelki neutralnego silikonu między kalenicą i zewnętrzną częścią ściany. (9.7) Neutralny silikon nie jest zapewniony w zestawie.

#### **OSTATNIE CZYNNOŚCI**

Jeżeli życzą sobie tego państwo, to za pomocą silikonu można uszczelnić szklarnię na występujących już spoinach. Sylikon nie jest zawarty w zakresie dostawy. Dołączoną naklejkę ostrzegawczą należy nakleić od wewnątrz. Po 2 tygodniach od montażu należy sprawdzić czy śruby i nakrętki są odpowiednio dokręcone. Państwa dostawca posiada bogaty asortyment wyposażenia szklarni. Proszę się z nim skontaktować.

#### **WSKAZÓWKI BEZPIECZEŃSTWA**

W przypadku mocnego wiatru, wszystkie otwory i drzwi powinny być zamknięte. Dachy szklarni należy regularnie odśnieżać tak, aby nie powstały niebezpieczne obciążenia śnieżne. Należy ogrzewać budynek zimą.

#### **UWAGI**

W celu uzyskania pełnego zabezpieczenia szkieletu szklarni zalecamy, aby włączyć jej ubezpieczenie do ubezpieczenia domu. Proszę przestrzegać ewentualnie istniejących miejscowych przepisów budowlanych dotyczących szklarni ogrodowych. Dostarczoną naklejkę typu należy po pomyślnym montażu szkieletu szklarni nakleić na szkielet szklarni (7352) lub (7353). Oznaczenie typu potrzebują Państwo do podania danych przy zamówieniu ewentualnie potrzebnych części zamiennych. Proszę przechować tę instrukcję montażu do przyszłego użytku! Nasza polityka opiera się na nieprzerwanym doskonaleniu w związku z czym zastrzegamy sobie prawo do wprowadzania zmian w opisie bez uprzedniego powiadomienia.

## 1. PROSIMO, DA TA NAVODILA ZA MONTAŽO PRED ZAČETKOM POSTAVITVE V CELOTI PREBERETE!

- Pri rokovanju s steklom, votlimi ploščami ali deli rastlinjaka morate vedno nositi zaščitna očala, rokavice, zaščitne rokavice in zaščito za glavo, ker se lahko na ostrih robovih poškodujete. Zlomljeno steklo predstavlja varnostno tveganje. Odstranite ga z zahtevano previdnostjo.
- Rastlinjak, ki ste ga kupili, je zasnovan za gojenje rastlin in ga smete uporabljati izključno za ta namen. V primeru drugačne uporabe je vsakršna odgovornost izključena.
- Za montažo tega rastlinjaka sta potrebni dve osebi.
- Pri uporabi stopenjske lestve mora vedno druga oseba zavarovati lestev.
- Če imate pri montaži rastlinjaka ali vstavljanju zasteklitve težave, stopite v stik s svojim prodajalcem – **Ne ravnajte na silo!**
- Rastlinjak mora biti zasidran.

## Opis postavitve

### IZBIRA LEGE

Poiščite najbolj sončno lego, ki pa je hkrati zaščiten pred vetrom.

### POMEMBNO

Preden začnete z montažo vašega rastlinjaka, preverite, ali so na voljo vsi deli, ki so navedeni na seznamu. Da boste to lažje ugotovili, vzemite posamezne pakete iz embalaže. Pomembno je, da odprtih paketov ne pomešate. Če kljub najskrbnejšemu pregledu kaj manjka, stopite v stik s prodajalcem.

**Pozor** – Stran votlih plošč, ki je odporna na UV-žarke, je označena s plastično folijo ali natisnjem opozorilom na robovih. **Ta stran mora biti usmerjena navzven!**

Za temeljito zatesnitev rastlinjaka priporočamo nevtralen silikon, kot je prikazano na slikah (4b.4), (4b.5), (7a.7) in (7a.9). Silikon je priložen.

### POTREBNO ORODJE

Izvijač (za zarezo in križni izvijač PH2)

Gumijasto kladivo

2 lestvi (1.80 m)

Vijačni ključ 10 mm

Obročasti/viličasti ključ

Nož

Zložljivi meter

Vodna tehničnica

Akumulatorski vijačnik z nastavljivim vrtilnim momentom

### VZDRŽEVANJE

Rastlinjak občasno temeljito operite z blago, pH nevtralno čistilno raztopino. Steklo lahko očistite z blagim čistilnim sredstvom, ki ni agresivno do plastičnih delov, aluminijastega okvirja in vzmetnih sponk za steklo. Redno čistite vodilo vrat.

### 0. TEMELJ

**Pomembno!** Temelj mora biti absolutno pravokoten in raven. To dosežete z uporabo vodne tehničnice in kotnika.

**Pozor:** Če je razdalja med dvema nasproti ležečima kotnikoma enaka, je temelj pod pravim kotom.

Za postavitev rastlinjaka priporočamo soliden temelj iz betona, zidakov ali v zidani izvedbi. Če s konstrukcijo takšnega temelja nimate izkušenj, raje pooblastite podjetje, ki je specializirano za ta dela. Material in orodje za izdelavo priporočenega temelja ni vsebovano v dobavi.

Ta priporočeni temelj omogoča vstavitve vrat na poljubni strani.

Temelj mora biti postavljen zaščiten pred zmrzaljo.

**Vse risbe so prikazane z notranje strani rastlinjaka, z izjemo slik, ki so prikazane v dvojnem okvirju. Te prikazujejo pogled od zunaj.**

### 1. STRANICE

**Pozor:** Če naj se vrata vstavijo na sprednji strani rastlinjaka, odstranite enega od vmesnih profilov (7311) ①.

Pritisnite silikonsko tesnilo (7396) v talni profil (7304–7307) in ga odrežite na ustrezno dolžino (1.1)(1.2).

Vse dele položite na tla, vstavite vijake (7052) v kanale za vijake in jih na rahlo privijte. Pazite, da so kapni kotniki (7314–7317) potisnjeni v vogale obeh vogalnih profilov (7310) (1.3) (1.4) ter da so vogalni profili (7310) in vmesni profili (7311) nameščeni natančno na montažni rob kapnega kotnika (1.9) (1.12).

Montirajte diagonalne profile (7312) na obeh straneh (1.3) (1.4) (1.10) (1.11). Na rahlo jih z

vijaki pritrdite na talni profil (7050). (7050) se med zastekljevanjem (korak 7b) odstrani.

### 2. ZAKLJUČEK ZATREPA BREZ VRAT

**Pozor:** Če naj se vrata vstavijo na tej strani rastlinjaka, odstranite vmesni profil (7311) ①.

Pritisnite silikonsko tesnilo (7396) v talni profil (7301) in stenski profil (7344) in ga odrežite na ustrezno dolžino (2.1)–(2.4).

Vse dele položite na tla in jih na rahlo privijte, tako da vijake (7052) vstavite v kanale za vijake. Kapni profil (7321) pritrdite v odprtime stenskih profilov (7344) (2.5) (2.6), nato pa stenski profil (7344) montirajte na talni profil (7301) (2.7) (2.8). Vmesne profile (7311) (2.9) (2.10) montirajte na talni profil (7301) in kapni profil (7321) (2.11), tako da se profili stikajo.

Pritrdite diagonalni profil (7313) (2.5) (2.6) (2.11) (2.12). Na pragu ga ohlapno montirajte z vijaki (7050). Vijaki (7050) se med zastekljevanjem odstranijo (korak 7b).

### 3. STRANICA ZATREPA Z VRATI

**Pozor:** Če želite vrata namestiti na drugi strani, pritrdite vmesne profile (7311) ①, ki so bili prej odstranjeni iz položaja (1)b.

Vse dele montirajte, kot je opisano v koraku 2.

### 4a. POVEZOVANJE ELEMENTOV STRANIC

(4a.1) prikazuje postavitev, če naj se vrata namestijo na sprednji strani rastlinjaka.

Pritisnite silikonsko tesnilo (7396) v slemenski profil (7334–7337) in ga odrežite na ustrezno dolžino. Preverite, ali je tesnilo (7414–7417) pravilno vstavljeno v vodilo slemenskega profila (4a.2) (4a.3).

Vijake (7052) in matice (7053) rahlo pritrdite v talna profila (7301) in (7302), kot je prikazano na sliki (4a.4). Montirajte vogalne stebre (7310) z glavami vijakov (7052) v obeh kanalih za vijake v (7310) (4a.5).

Kapne profile (7321) in (7322) pritrdite na vogalni steber (7310) in zagotovite, da pritisnjete proti kapnemu kotnemu profilu (4a.6).

Profile zatrepa pritrdite na kapne kotnike (4a.7) (4a.8). Zagotovite, da vogalni profili zatrepa nalegajo natančno na montažni rob kapnega kotnika (4b.6) in da se luknjice nahajajo na zunanji strani (7428/7429) na koncu kapi (4a.7).

Slemenski profil (7334–7337) montirajte na vogalne profile zatrepa (7428) (7429) in stenske profile (7344) (7345) (4a.9) (4a.10) s pomočjo kotnika (7348). Montirajte zgornje vmesne profile s pomočjo kotnika (7348) na vogalne profile zatrepa. (4a.11).

Postavite montiran okvir nasproti stene na pripravljen temelj. Preverite, ali je pod pravim kotom, in izvrtajte Ø 6 luknje skozi predhodno izvrtane luknje v (7301), (7302), (7304–7307), (7344) in (7345) na steno in temelj. Vstavite stenske pritrdilne elemente (7421) ali (7422) v luknje in jih rahlo pritrdite z vijaki (7411) in (7412) na temelj in steno (4a.12).

#### 4b. VMESNI STREŠNI PROFILI

Rahlo pritrdite (7052) in (7053) v slemenski profil. Namestite srednje profile (7472) in potisnite glave vijakov (7052) v kanale za vijake (7472)(4b.1)(4b.2).

**Pozor:** Zagotovite, da je slemensko tesnilo (7414–7417) upognjeno naprej preko vmesnih strešnih profilov (7472) (4b.3).

(7052) vstavite v kanal za vijake srednjega profila (7472) na strani kapi in spustite na kapni kotnik s podložko (7395) in matico (7053) (4b.4) (4b.5). Zagotovite, da srednji profil (7472) pravilno zapira montažni rob kapnega kotnika (4b.6) in da se **luknjica na zunanji strani srednjega profila (7472) nahaja na koncu kapi (4b.7).**

Izvrtajte luknje Ø 6 skozi pripravljene luknje v (7334–7337). V luknje vstavite stenske vložke (7422) in slemenski profil z vijaki (7412) rahlo privijte na steno (4b.8).

Rastlinjak natančno poravnajte, tako da je popolnoma pod pravim kotom, in šele nato tesno privijte vse vijake (7411) (7412) in matice (7053). **Vijaki morajo biti trdno, vendar ne pretesno priviti.**

Vstavite vezno ploščevino (7331) med vsak stranski vmesni profil (7311) in srednji strešni profil (7472), tako da vijake s kladivasto glavo (7399) vstavite v kanale za vijake (4b.9) (4b.10).

#### 5. STRANSKO OKNO

Spodnji okenski profil (7451) privijte na stranska profila (7453) in (7454) (5.2) (5.3). Ploščo D vstavite v ustrezna vodila (5.5) montiranih profilov (5.4) (5.5). (7052) in (7053) rahlo vstavite v zgornji okenski profil (7450)

in potisnite na (7453) in (7454), pri čemer je treba glave vijakov (7052) vstaviti v kanale vijakov in zasteklitev v kanale za zasteklitev (5.6) (5.7).

**Pozor:** Če ste izbrali zasteklitev debeline 4 mm, tesnilo (7420) ustrezno odrežite in ga vtisnite v kanale za zasteklitev na notranji strani okna, da steklo fiksirate (5.8) (5.9) Preverite, ali je okno pod pravim kotom, preden trdno privijate vse vijake.

#### Vijaki morajo biti trdno, vendar ne pretesno priviti.

Krtačno tesnilo (7457) vstavite po vsej dolžini zgoraj v vodila in stranske profile (7454) (7450) (7453) (5.10) in ga odrežite na ustrezno dolžino. **Pozor:** Če se krtačno tesnilo (7457) vidno zamakne, ko okno zaprete (glejte korak 8), ga lahko skrajšate (5.10).

Montirajte podpornik za okno (7090) s pomočjo distančnika (7413) in dveh vijakov (7349) (5.11) (5.12). Na vse vijake (7053) nataknite plastične kape (6070) (5.13).

#### 6a. DRSNNA VRATA

Krtačno tesnilo (7332) vstavite v vodila vrat (7352) (7353) (7355) (7356) (7357) (6a.2) in jih odrežite na ustrezno dolžino.

Tekalna kolesca vrat (7364) na rahlo pritrdite na spodnji vratni profil (7355) z distančniki (7392) na vsaki strani kolesca, vijakom (7393), držalom (7350) in samorezno matico (7360) (6a.3) Spodnje vratne profile (7355) privijte na stranska profila (7357) ali (7358). (6a.3) (6a.7a).

Srednja vratna profila (7354) in (7384) s pomočjo vijakov (7404) spojite z dvokrilno ključavnico z zapahom (7400) (7401) in (7402). Stranske palice (7357) ali (7358) pritrdite z vijaki (7052), maticami (7053) in vijaki (7405) (6a.4) (6a.5) (6a.8). **Vijaki (7404) in (7405) morajo biti trdno, vendar ne pretesno priviti.**

Zgornje vratne profile (7352) ali (7353) privijte na stranske vratne profile (7357) ali (7358) (6a.6) (6a.7b).

Plošče G potisnite v vodila za zasteklitev montiranih delov (6a.9).

(7052) in (7053) na rahlo vstavite v stranske vratne profile (7356) in potisnite na (7355), (7354) ali (7384) in (7352) ali (7353) ter glave vijakov vstavite (7052) v kanale vijakov ter zasteklitev (6a.9) (6a.10) prilagodite kanalom za zasteklitev. Vstavite vratna vodila (2271) zgoraj v obojna vrata (6a.6).

**Pozor:** Če ste izbrali zasteklitev debeline 4 mm, tesnilo za steklo (7420) ustrezno odrežite in ga vtisnite v kanale za zasteklitev na notranji strani vrat, da steklo fiksirate. (6a.11).

#### 6b. OKVIR VRAT IN PRAG VRAT

Ojačitev vrat (7362) s pomočjo vijakov (7390) pritrdite v odprtino za vrata na talnem profilu (6b.1) (6b.2).

Vodilo vrat (7351) nagnite, da ga lahko vstavite v profil praga in namestite v pravilen položaj (6b.3). Namestite ga na sredino odprtine za vrata in ga s stenskimi vložki (2003) in vijaki (2002) privijte na temelj (6b.4).

Stranske okvirje vrat (7361) privijte na vmesne profile (7311). Ko so nameščeni v pravilen položaj, jih zgoraj privijte z vijaki (7052) in maticami (7053) (6b.5) – (6b.8).

Spodaj vstavite vijake (7052) v kanale na obeh straneh praga vrat (7363) (6b.9) in prag vrat potisnite na pravo mesto (6b.10)(6b.11).

#### 7. PREGLED STEKLENIH DELOV

Preden začnete, zasteklitvene elemente razvrstite glede na velikost modela in vrsto zasteklitve. Če ste izbrali steklo, so plošče E in F na obeh straneh enake.

**Pozor** – Stran votlih plošč, ki je odporna na UV-žarke, je označena s plastično folijo ali natisnjanim opozorilom na robovih. **Ta stran mora biti usmerjena navzven.** Pred postavitvijo folijo na vseh robovih odlepite za pribl. 2 cm. Ko so vse plošče postavljene, popolnoma odstranite folijo z vseh plošč.

#### 7a. ZASTEKLITEV STREHE / KAPI

Zasteklitev strehe vstavite v vodila strešnih profilov (7a.2) (7a.3).

Ko sta dve sosednji plošči v pravilnem položaju, namestite držala zasteklitve (7342) ali (7343) skozi predhodno izvrtane luknje s samoreznimi vijaki (7349) na vmesni strešni profil (7a.4) (7a.5). Plošče se morajo pomakniti navzdol in obstati na držalih.

**Pozor:** Zagotovite, da je slemensko tesnilo (7414–7417) upognjeno naprej preko strešnih plošč B (7a.6).

Kapni profil (7324–7327) nastavite na utor kapnega kotnika (7a.7) in ga potegnite navzdol, da ga pritisnete ob kapni kotnik. Kapni profil lahko tudi vstavite od strani. Z vijaki (7052) od zunaj in maticami (7053) z notranje strani rastlinjaka ga privijte na kapni kotnik (7a.8).

Potisnite distančnik (7424) prek notranjega roba kapnega kotnika (7a.10) in distančnik (7425) prek notranjega roba slemenskega profila (7a.11). Pritrdite (7425) z vijaki (7349) na sleme (7a.11).

**Pozor:** Nastajanje kondenza v rastlinjaku s polikarbonatnimi ploščami je neizbežno, lahko pa ga zmanjšate, tako da dele (7424/7425) zamenjate z (7423\*). Tako izboljšate prezračevanje v notranjosti, kar zmanjša nastajanje kondenza. Uporabite vijake (7349), da montirate (7423\*) v sredino vsakega polja na kapi in slemenu (7a.12).

## 7b. ZASTEKLITEV STRANIC

Zdaj se odločite, v katera polja boste vgradili obe stranski okni. Pozor: Oken ni mogoče namestiti v polje na vogalu ali neposredno ob vrata. Vmes mora biti celotna sekcija. V ta polja se namesto steklenih plošč A vstavijo steklene plošče H.

Tesnilo za steklo (7382) vtisnite v vsak zgornji utur (7381) in ga odrežite na ustrezno dolžino.

Pri zasteklitvi s steklom pritisnite tesnilo za steklo (6090) na aluminijaste profile (7b.2) in ga odrežite na ustrezno dolžino.

Pozor: Priporočamo, da tesnila za steklo (6090) na vseh horizontalnih vodilih za steklo odrežete na nekoliko krajšo dolžino in jih namestite na sredino. Tako lahko kondenzna voda, ki se nabira v notranjosti, odteče.

Pozor: Pri polikarbonatni zasteklitvi ne potrebujete tesnil.

Z vstavitvijo glav vijakov (7050) v različna vodila v pokrivni letvi se lahko rastlinjak zastekli s ploščami debeline  $\leq 4$  mm, 10 mm ali 16 mm. (7b.2). V vsako pokrivno letvo vstavite vijake (7050), kot je prikazano v (7b.3).

Za zasteklitev debeline 10 mm vstavite 1 distančnik (7407) v sredino/nad vsako ploščo A (7b.4). Vsako stekleno ploščo A potisnite v okvir in vertikalne pokrivne letve (7372), (7373) ali (7374) na rahlo privijte z maticami (7053).

Ploščo A 15 mm visoko dvignite in jo na rahlo spojite s pokrovnimi lestvami (7381) pod ploščo.

Pozor: Vijake (7050), ki so bili uporabljeni za držanje diagonalnih profilov v koraku 1, 2 in 3, morate zdaj odstraniti in na novo montirati (7b.8).

Za zasteklitev debeline 10 mm vstavite 4 distančnike (7409) na (7321) in (7322) (2 distančnika za vsako ploščo E in F) (7b.5) (7b.6). Plošče E in F natančno naravnajte. Montirajte pokrivne letve (7377) ali (7378) in nato na rahlo vgradite (7375)/(7379) ali (7376)/(7380).

Vijaki morajo biti trdno, vendar ne pretesno priviti.

Pozor: Vertikalne pokrivne letve lahko najboljše montirate tako, če najprej v luknjo vstavite zgornji vijak, nato srednji in nazadnje

spodnji vijak. Zagotovite, da ostanejo pokrivne letve v stiku s talnim profilom.

## 8. MONTAŽA STRANSKEGA OKNA

Odstranite matice (7053) z vertikalnih pokrivnih letev (7372) na srednjih profilih (7311) poleg odprtine za okno. Potisnite (7053) in (7399) na rahlo v spodnje luknje stranskih okenskih okvirjev (7311) nad stekleno ploščo H (8.2) in na novo montirajte plastično kapo (7053) (8.3) (8.4).

Potisnite (7053) v (7399) spodnjo luknjo profila okenske police (7452). Profil za toliko obrnite, da pokrije stekleno ploščo H in sredinsko vidno matico na obeh straneh (7452) (8.5). Sredinski vidni matici (7053) ponovno pritrdite (8.6).

Pritrdite tečaj okna (7419) z vijaki (7088) na okenski okvir (7455) in (7456) (8.7).

**Pozor:** Uporabite izključno za to predvidene luknje v tečaju.

Pritrdite predhodno montirano okno (glejte korak 5) s pomočjo vijakov (7088) na stranske profile s tečaji okna (7419). **Pozor:** Uporabite izključno za to predvidene luknje v tečaju.

Okno zaprite in zagotovite, da se zapira nad profilom okenske police (7452) brez stika. Višina okna se lahko natančno nastavi s pomočjo lukenj v tečaju (7419). Ko je okno pravilno nastavljeno, ga fiksirajte, tako da privijete dodatne vijake v ostale luknje.

Montirajte zaskočne zatiče (6056) na profil okenske police (7452) z vijaki (7403) (8.9). Namestite jih tako, da so z dolgimi luknjami v podporniku za okno (7090), ko je okno zaprto (8.10).

Ko je okno zaprto, se lahko podpomočnik za okno (7090) fiksira v obeh zaskočnih zatičih (6056), da je okno tesno zaprto. (8.10).

**Pozor:** Če se krtačno tesnilo (7457) v zgornjem okenskem profilu (7450) zamakne, ko okno zaprete, ga lahko ustrezno skrajšate; za podrobnosti glejte (5.10).

Drugo okno montirate na enak način.

## 9. ZAKLJUČNA DELA

IPriključna kosa za žleb (7370) in (7371) potisnite v oba konca kapnega profila (7324–7327) (9.1) (9.2).

**Pozor:** V pomoč vam je lahko, če kapni profil na zgornjem robu previdno potisnete stran od rastlinjaka, tako da je odprta za plastiko večja..

Vijake s kladivasto glavo (1412) potisnite v kanal za vijake na spodnjem koncu vogalnega profila (7310) in privijte (1405) in (1409) z aluminijasto matico (1002) na obeh straneh (9.3). Montirajte koleno (1402) na koncu odvodne cevi za deževnico (1415) (9.6) in

spojite s priključnima kosoma za žleb (7370) ali (7371) (9.9). Sponko za padno cev (1403) napnite okoli padne cevi in spojite z (1409) (9.4). Vstavite vijak (1006), da padno cev fiksirate (9.5).

Vgradite vodilo vrat (7359) v odprtino za vrata. Pritrdite na (7321), (7322) ali (7324–7327) s pomočjo vijakov (7052), ki se vstavijo v kanal za vijake na zunanji strani teh profilov, in maticami (7053). (9.8).

Na obeh koncih profila vodila za vrata (7359) od zgoraj vstavite vijake (7352) in jih od spodaj pritrdite z maticami (3002), da omejite odprtino za vrata. (9.8) (9.9).

Plastično vodilo vrat (2771) vstavite v profil vodila za vrata (7359) (9.10) (9.11a), nato pa namestite kolesca spodaj na vodilo vrat (7351) (9.11b). Vtaknite držalo vrat (7350) pod element (7351) in zategnite vijake kolesc za vrata (7360) (9.11).

Na vse vidne matice (7053) v rastlinjaku nataknite plastične kape (6070) (9.12).

**Pozor:** Priporočamo, da med slemenskim profilom in steno od zunaj uporabite nevtraln silikon (9.7). Nevtralni silikon ni vsebovan v dobavi.

## ZAKLJUČNA DELA

Če želite, lahko rastlinjak tudi na vogalih zatesnite z nevtralnim silikonom. Silikon za ta namen ni vsebovan v dobavi.

Priloženo nalepko z opozorilom nalepite z notranje strani.

Po 2 tednih po postavitvi preverite, ali so vsi vijaki trdno pritrdjeni.

Vaš prodajalec ima na voljo bogato izbiro opreme za vaš rastlinjak. Povprašajte pri njem.

## VARNOSTNA NAVODILA

Ob močnem vetru morajo biti vse odprtine in vrata zaprta. S streh rastlinjakov pravočasno očistite sneg, da ne pride do nevarne obremenitve s snegom. Pozimi rastlinjak ogrevajte.

## OPOMBE

Za popolno zaščito rastlinjaka vam priporočamo, da ga vključite v zavarovanje hiše. Upoštevajte morebitne veljavne lokalne gradbene predpise.

Priloženo tipsko nalepko po opravljeni montaži rastlinjaka nalepite na ohišje koles (7352) ali (7353). Oznako tipa potrebujete za navedbo pri naročilu morebitnih potrebnih nadomestnih delov.

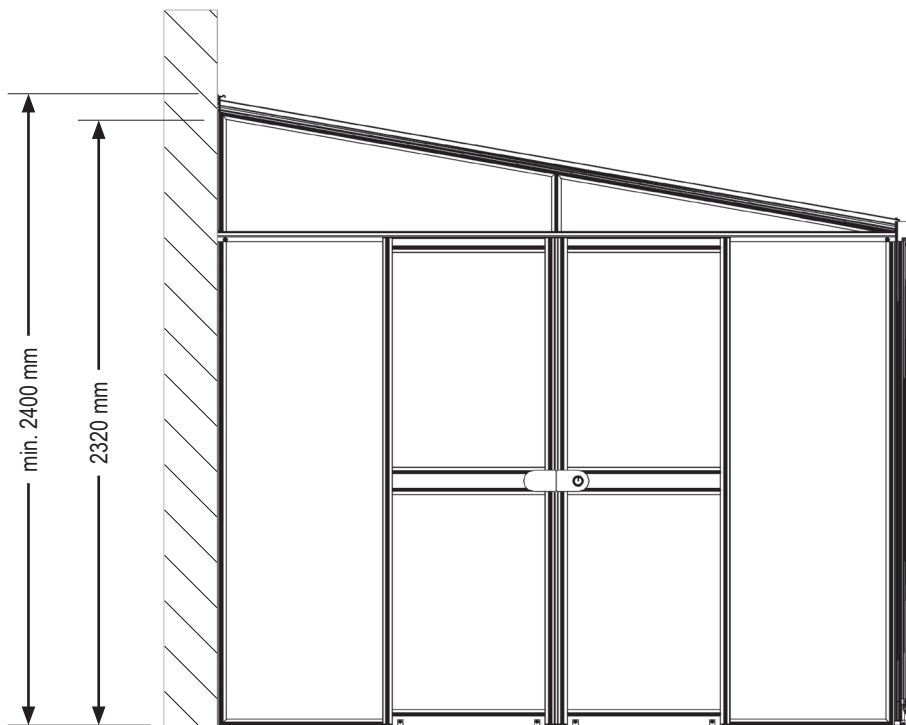
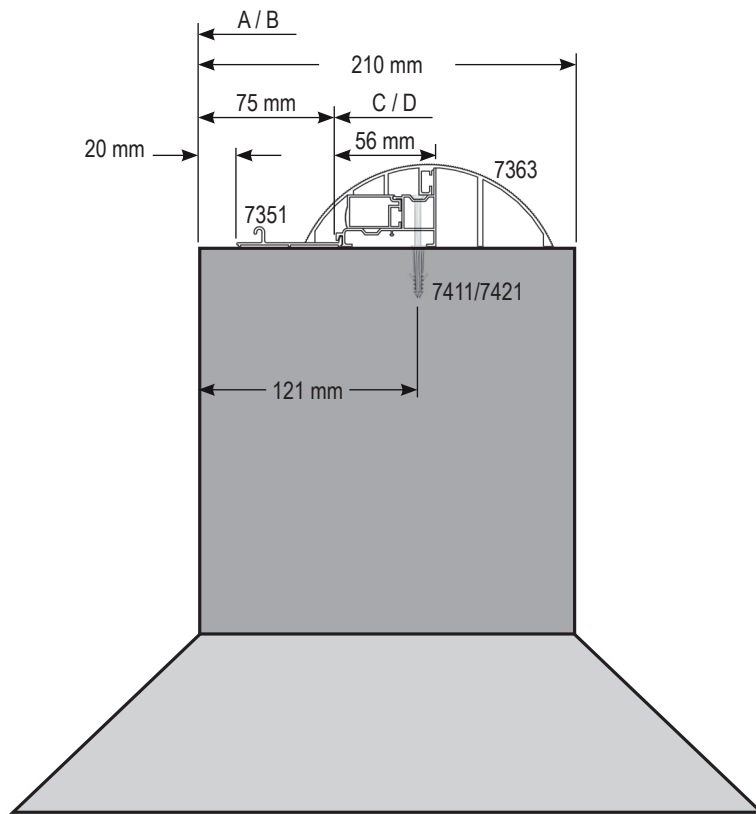
Prosimo, da navodila za montažo shranite!

Vse navedene mere so približne mere. Pridržujemo si pravico do sprememb.



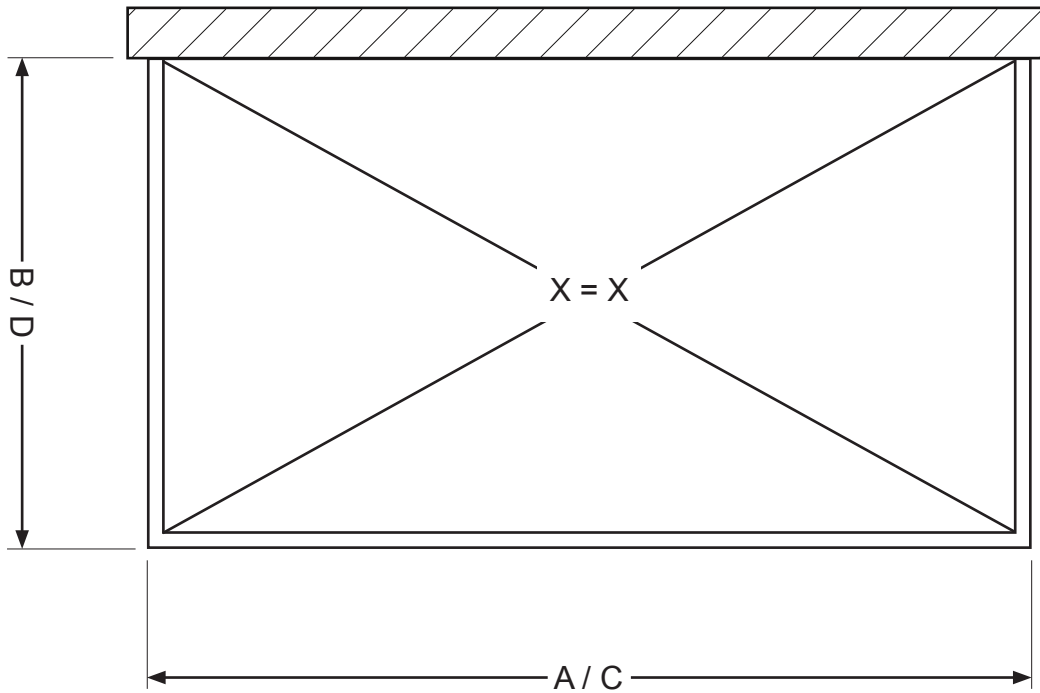


0

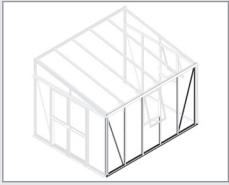


VM0019-HA

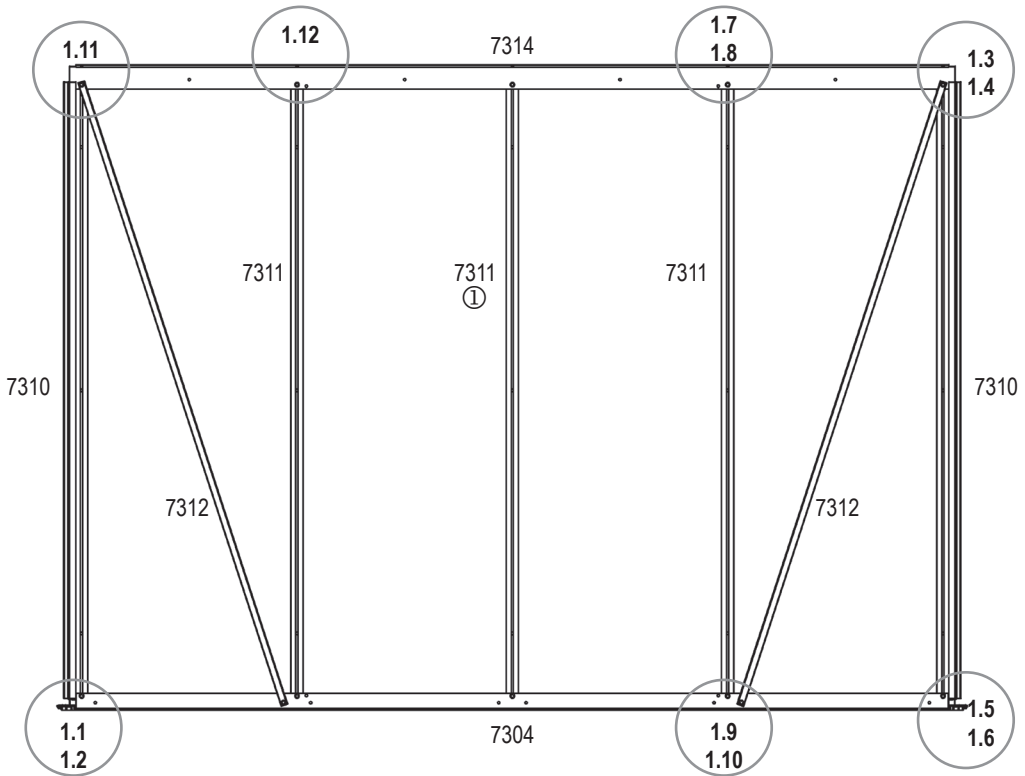
# 0

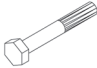



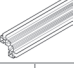
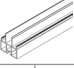

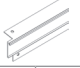



	7000	8600	10200	11900
A	2809 mm	3438 mm	4067 mm	4696 mm
B	2679 mm	2679 mm	2679 mm	2679 mm
C	2659 mm	3288 mm	3917 mm	4546 mm
D	2604 mm	2604 mm	2604 mm	2604 mm

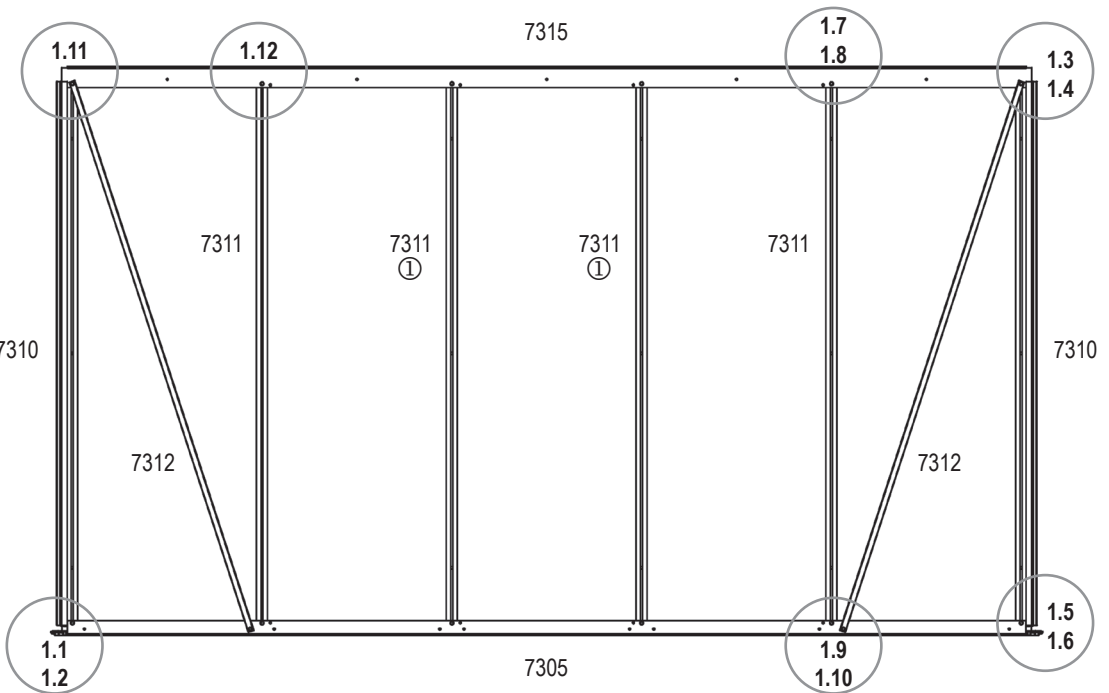


## 7000



7000	8600	10200	11900
7050 			
2x	2x	2x	2x
7052 			
10x	12x	14x	16x
7053 			
12x	14x	16x	18x
			
7304	7305	7306	7307
1x	1x	1x	1x
7310 			
2x	2x	2x	2x
7311 			
3x	4x	5x	6x
7312 			
2x	2x	2x	2x
			
7314	7315	7316	7317
1x	1x	1x	1x
7396 			
1x	1x	1x	1x

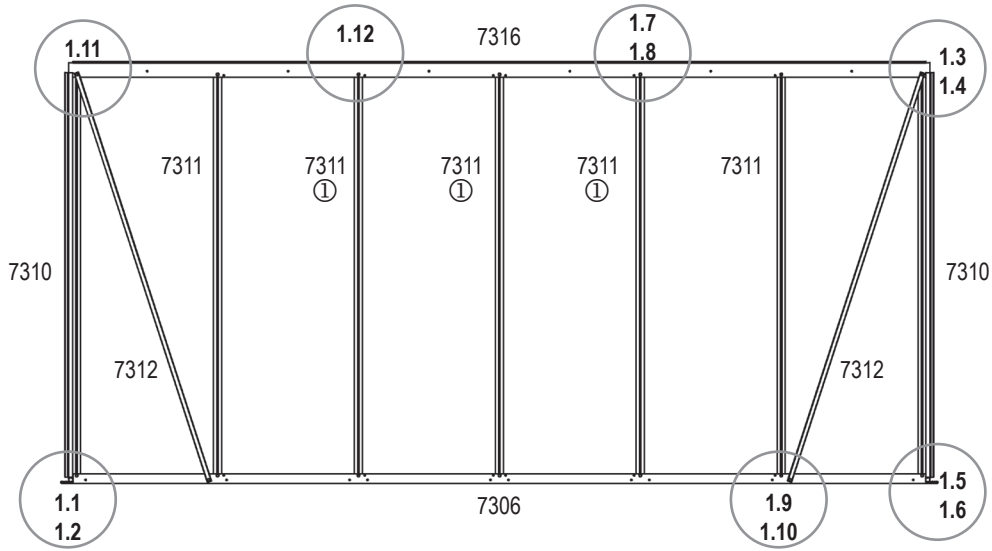
## 8600



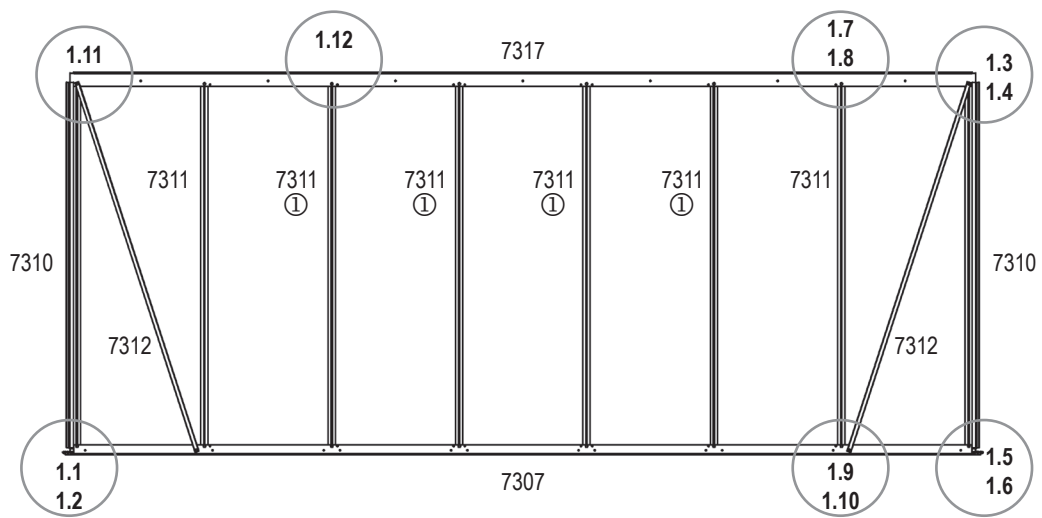
VM0019-HA



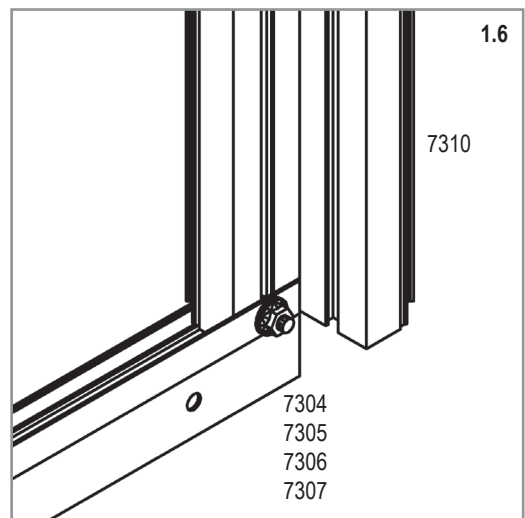
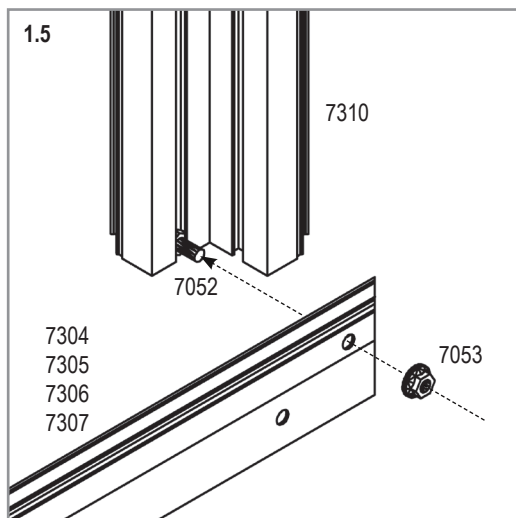
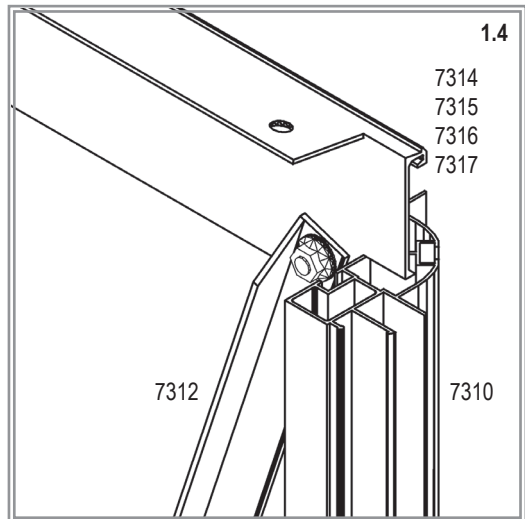
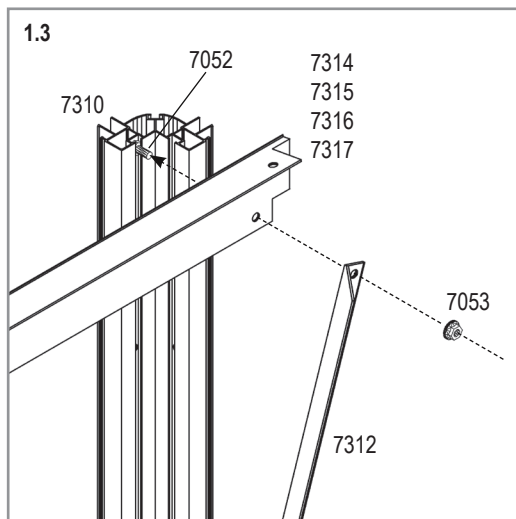
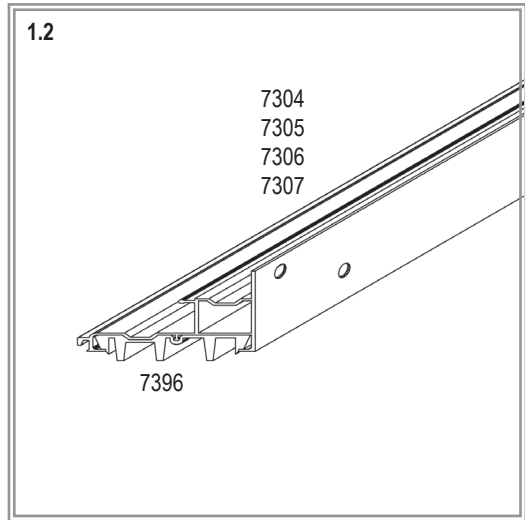
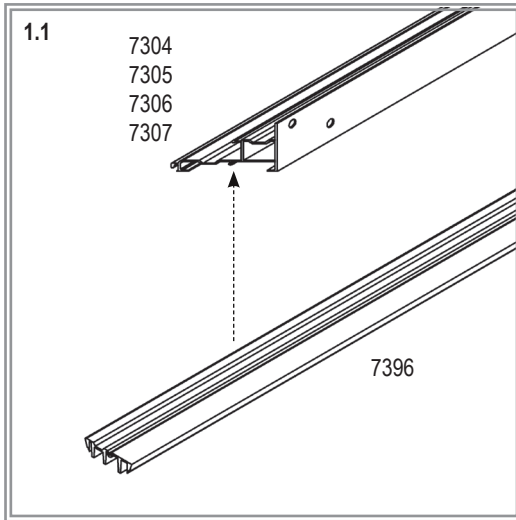
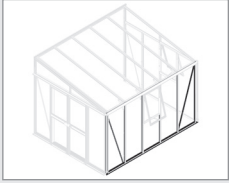
10200



11900

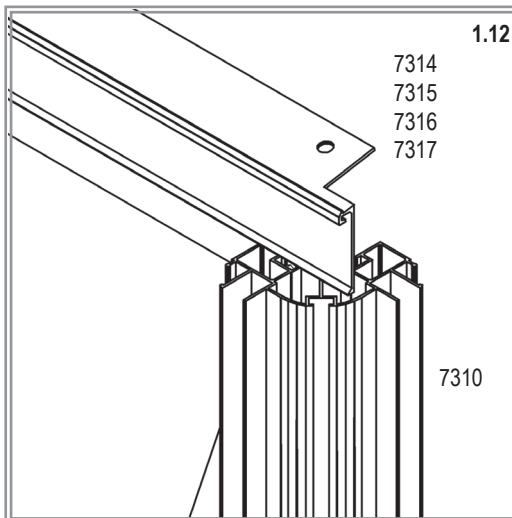
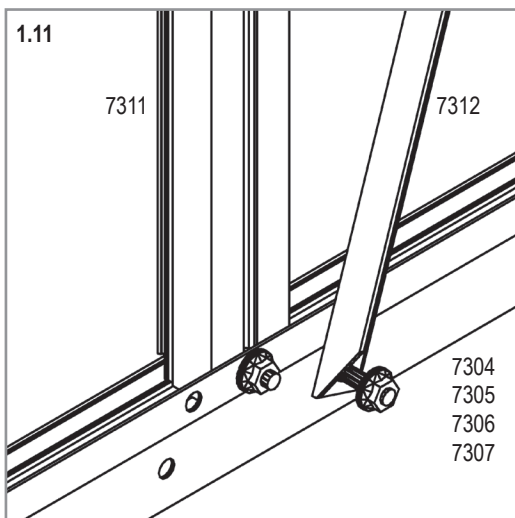
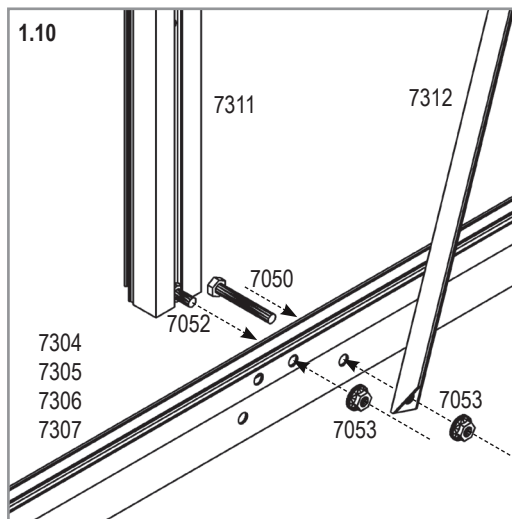
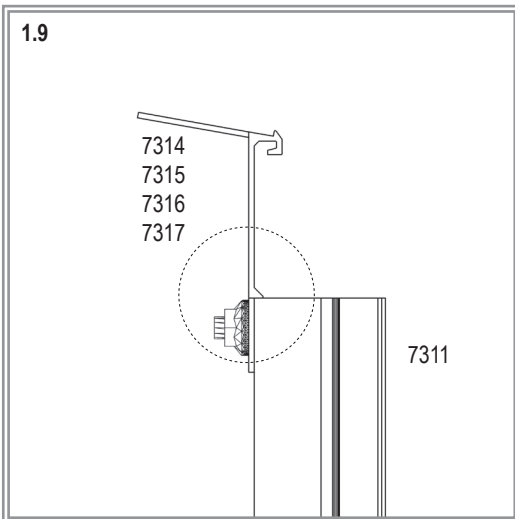
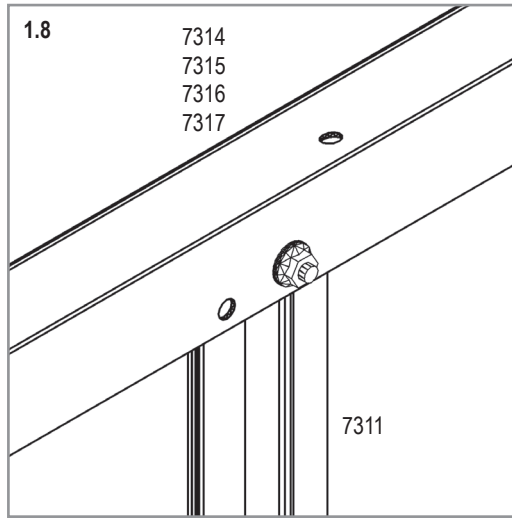
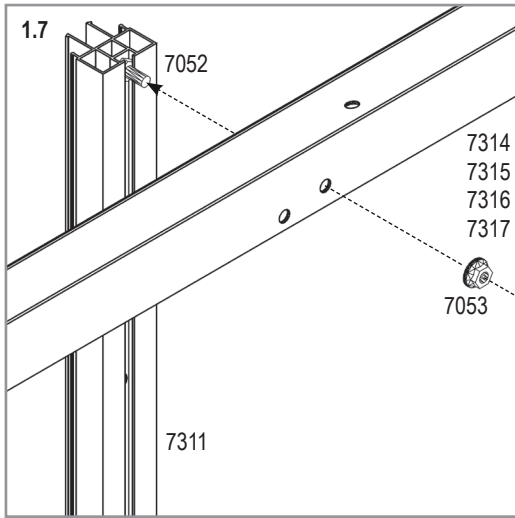


# 1

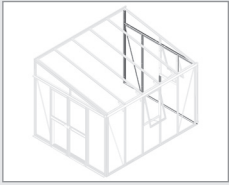


VM0019-HA

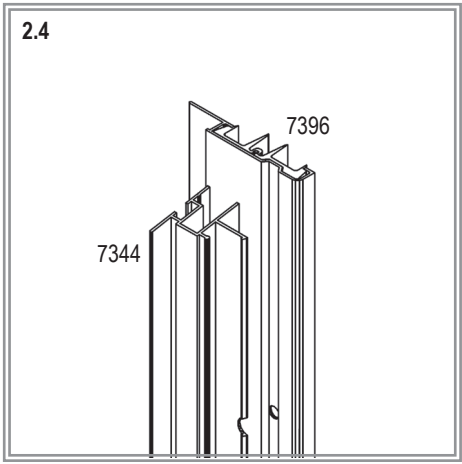
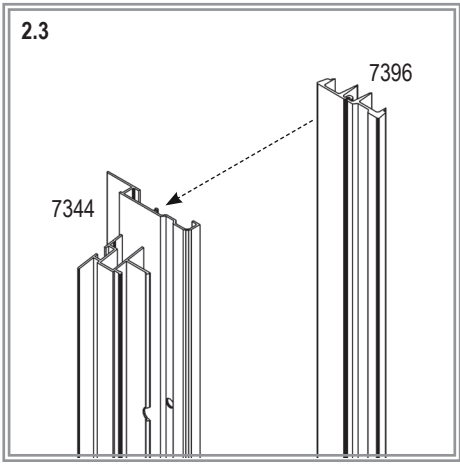
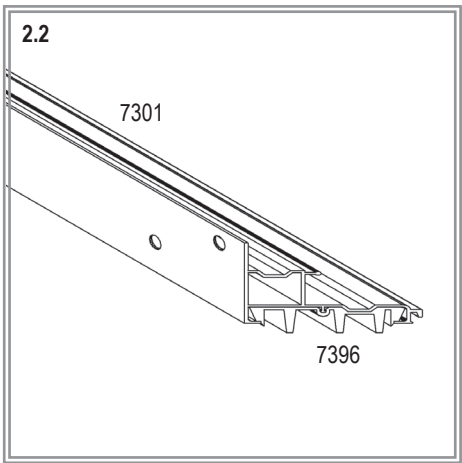
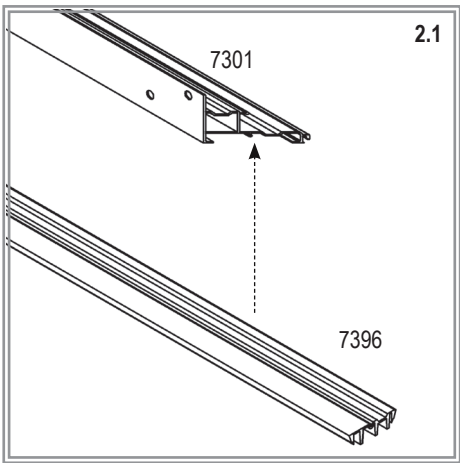
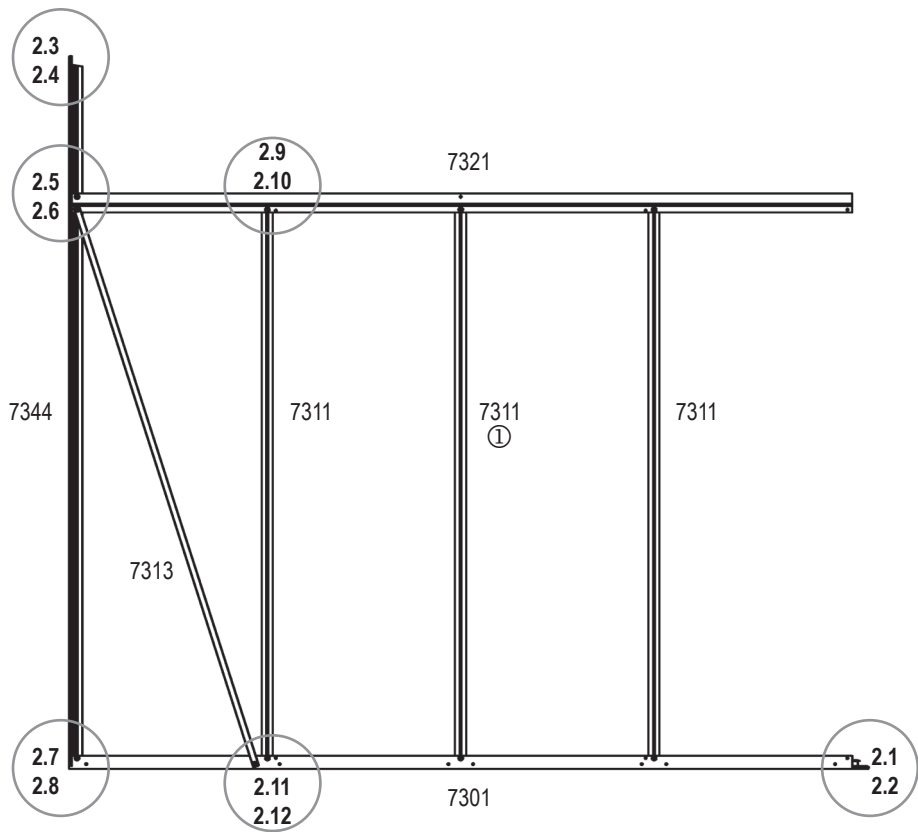
# 1



# 2



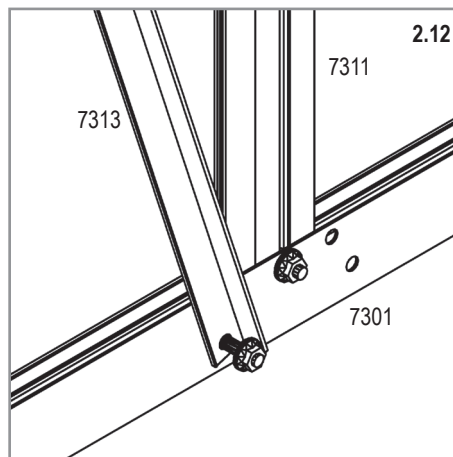
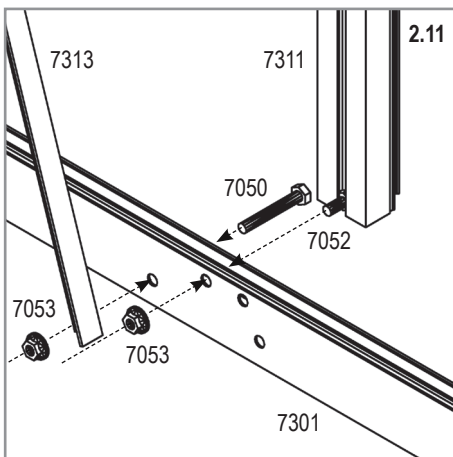
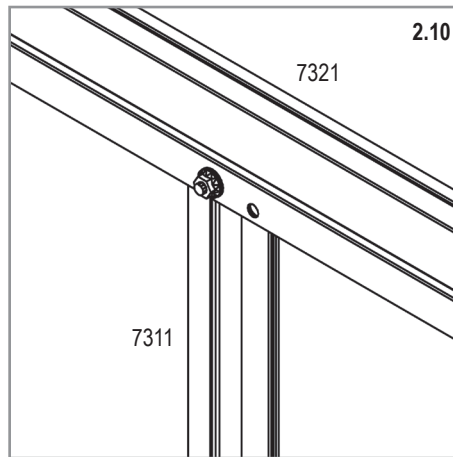
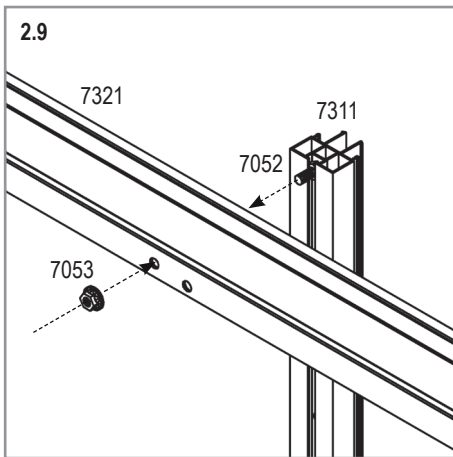
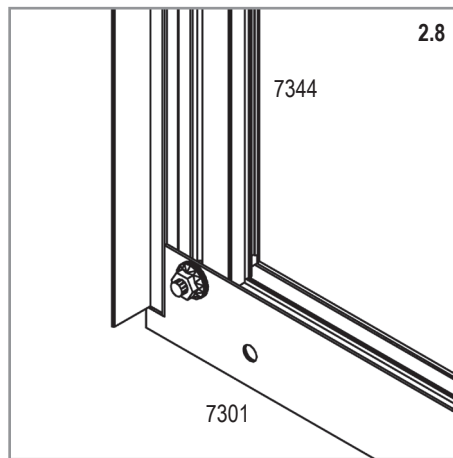
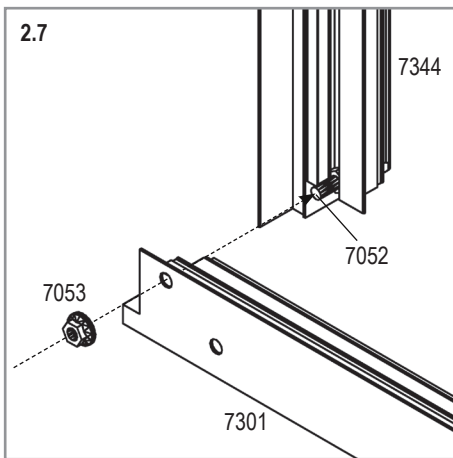
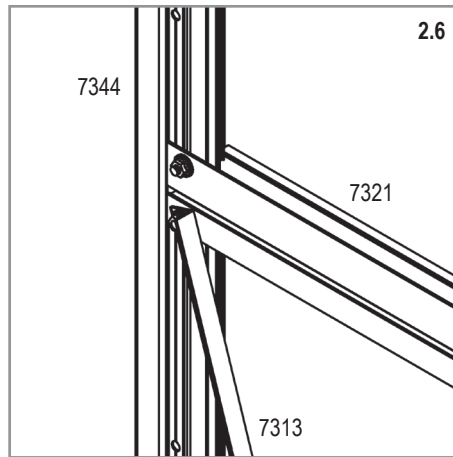
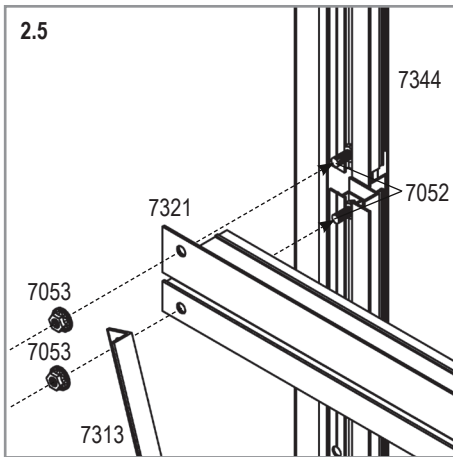
All Models	
7050 1x	
7052 9x	
7053 10x	
7301 1x	
7311 3x	
7313 1x	
7321 1x	
7344 1x	
7396 2x	



**VM0019-HA**

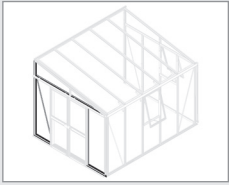


# 2

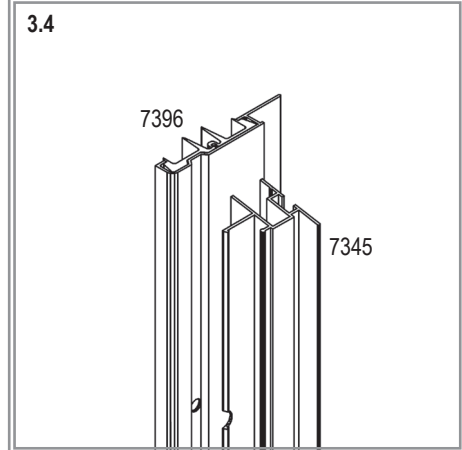
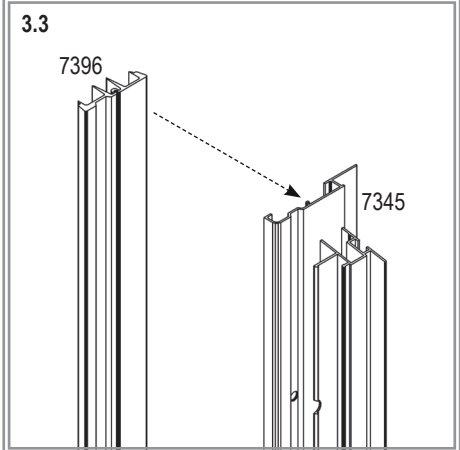
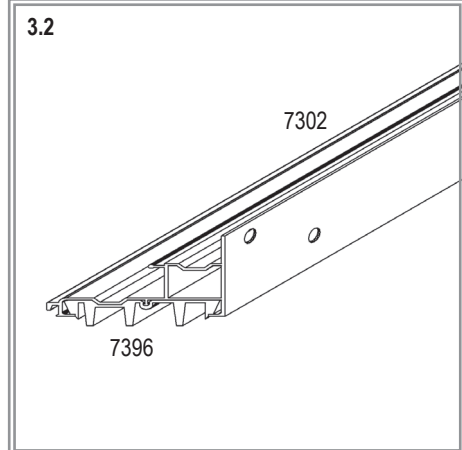
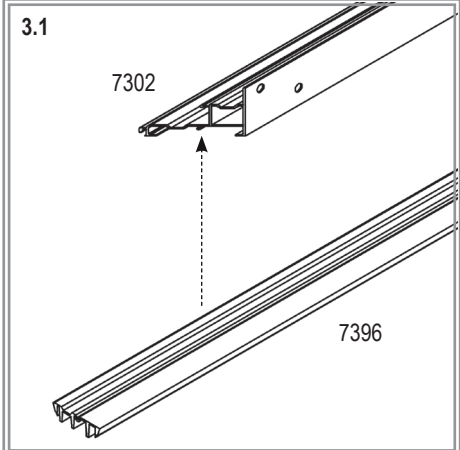
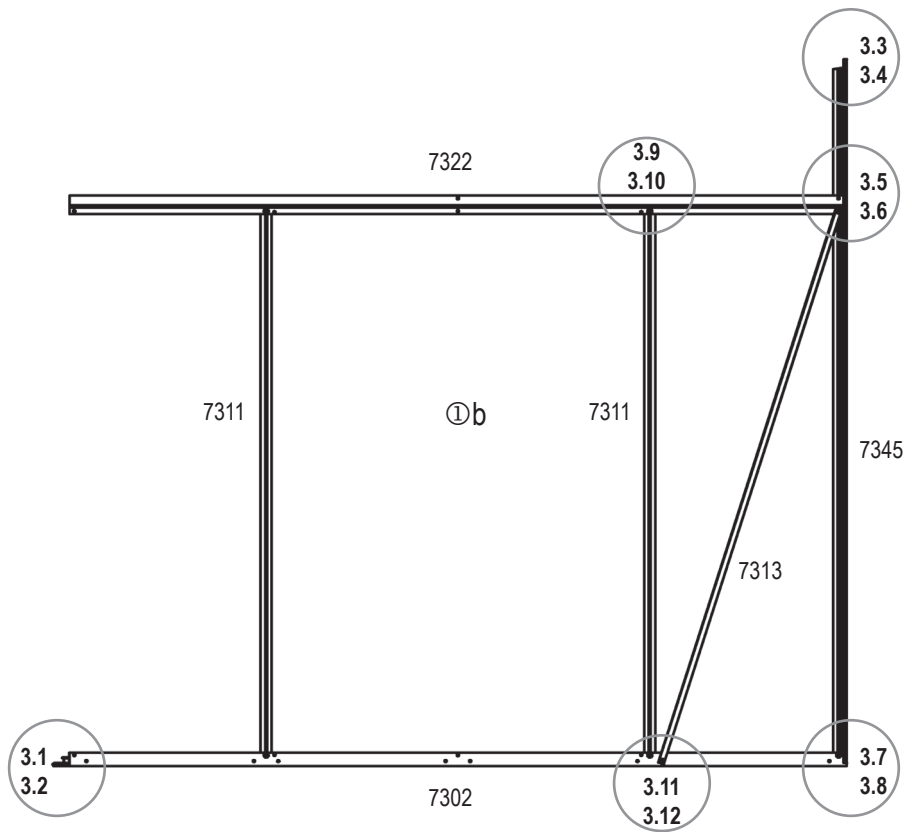


VM0019-HA

# 3

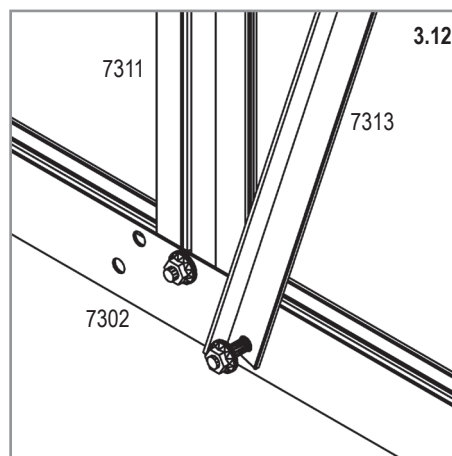
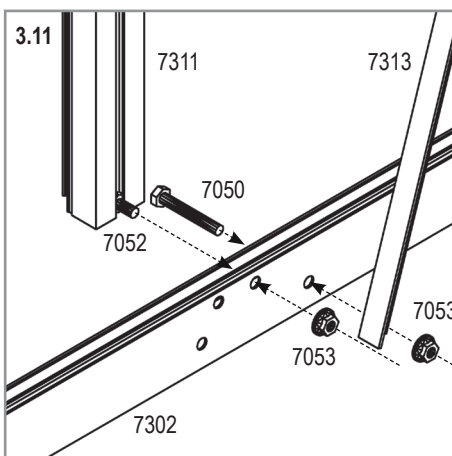
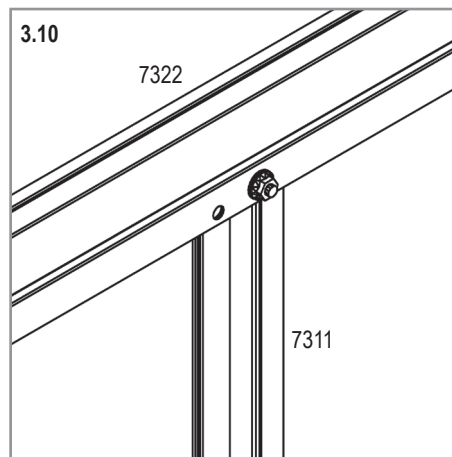
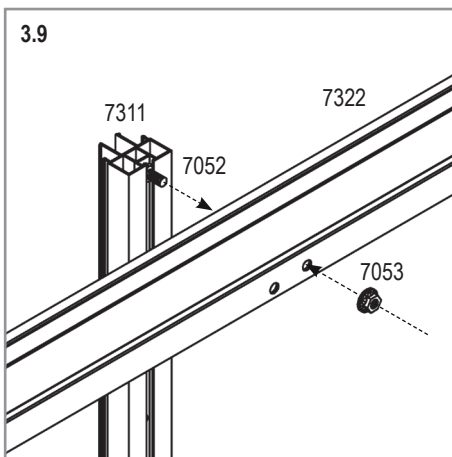
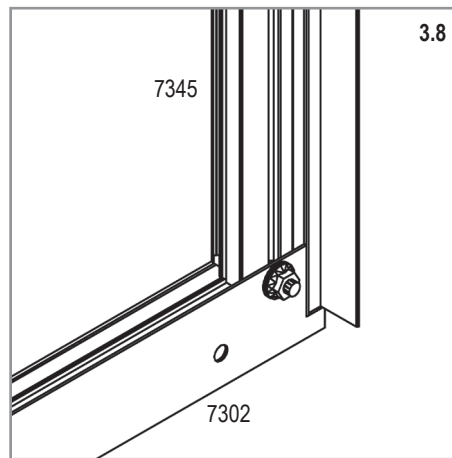
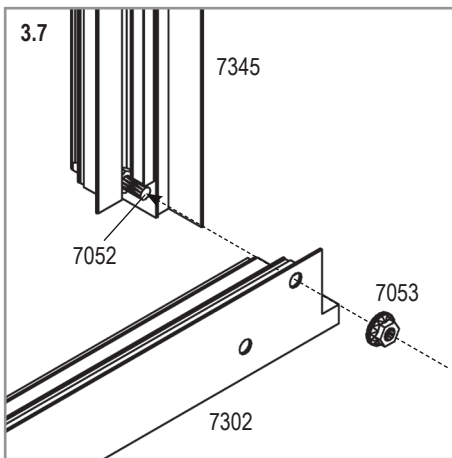
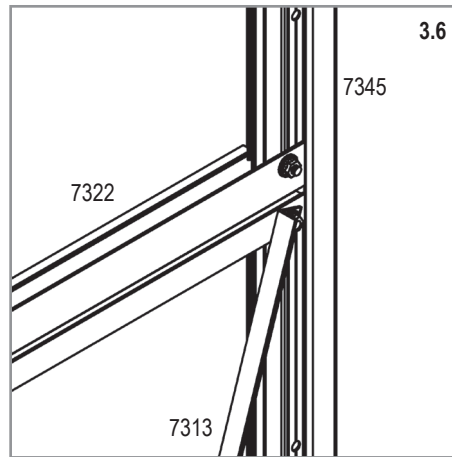
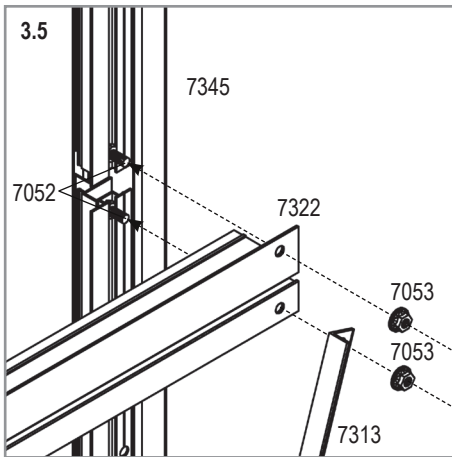


All Models	
7050 1x	
7052 7x	
7053 8x	
7302 1x	
7311 2x	
7313 1x	
7322 1x	
7345 1x	
7396 2x	



VM0019-HA

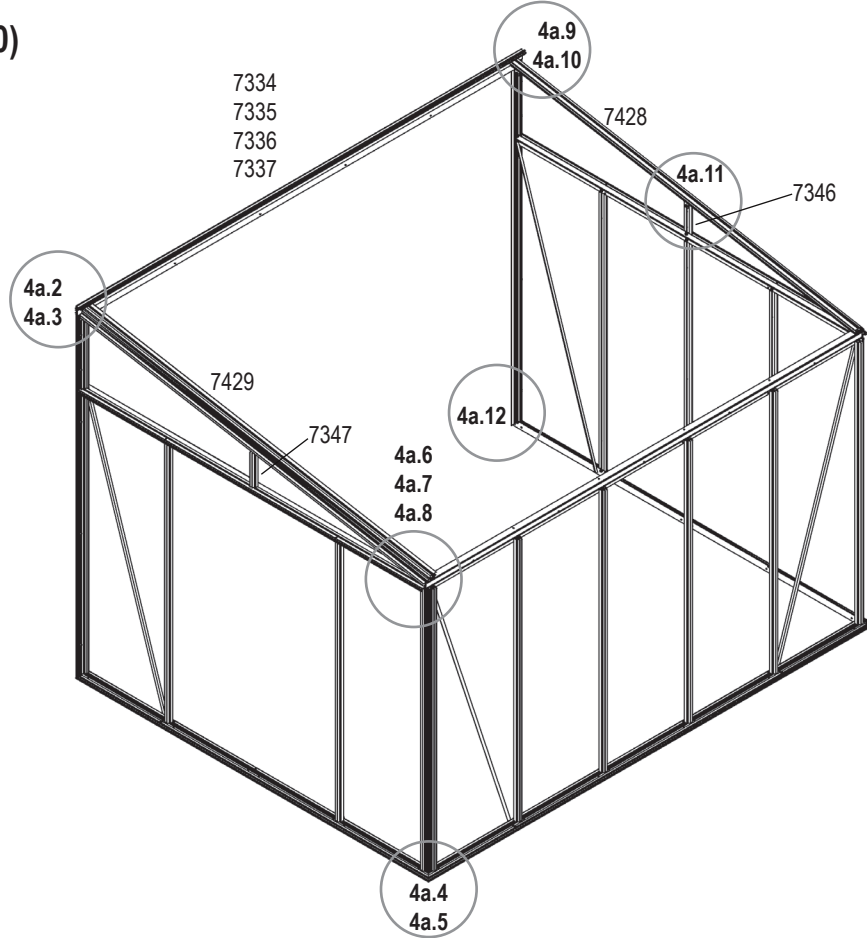
# 3



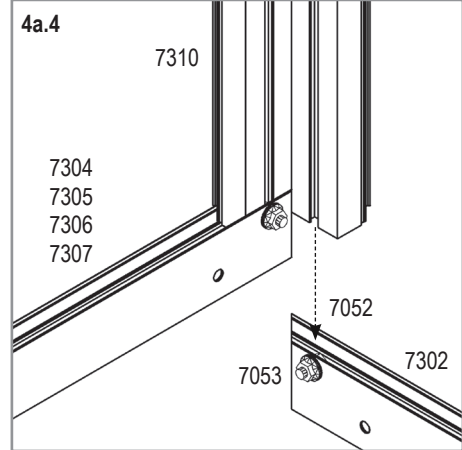
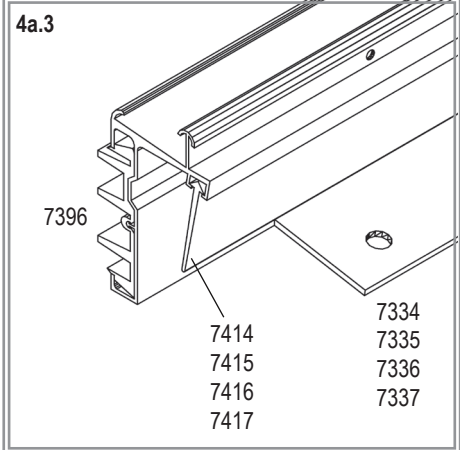
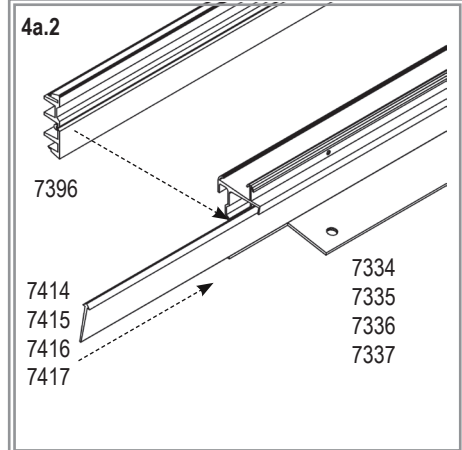
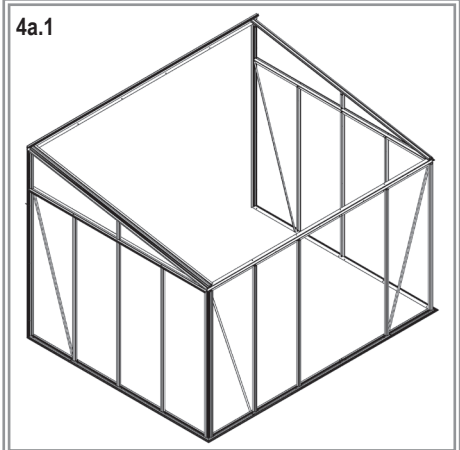
VM0019-HA

# 4a

(8600)



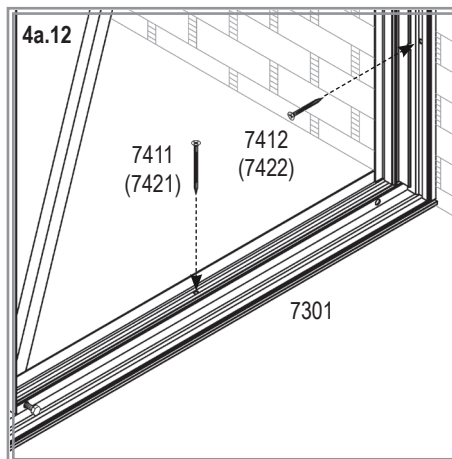
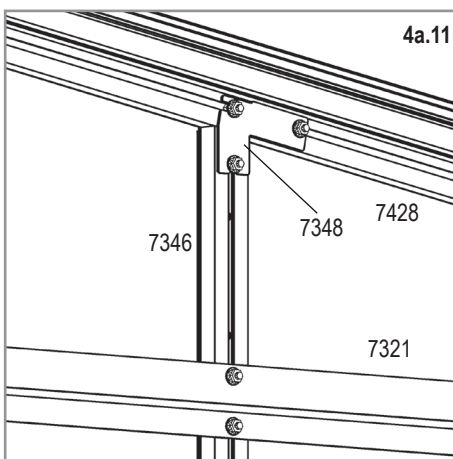
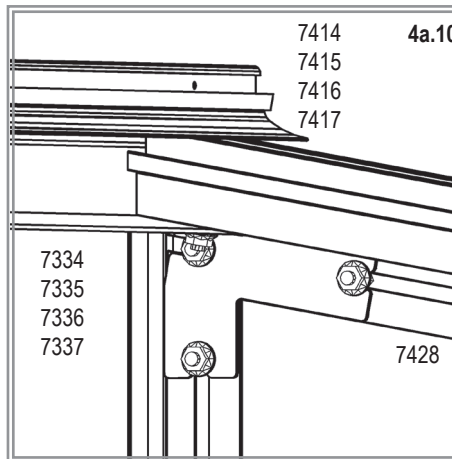
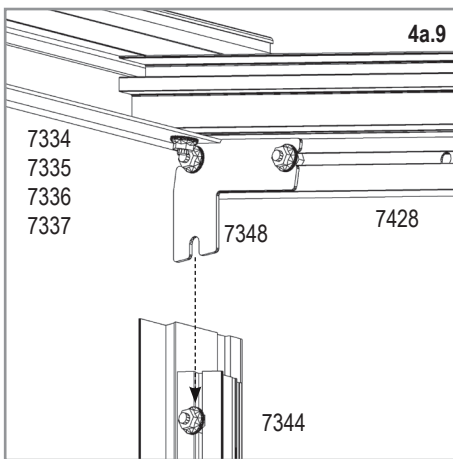
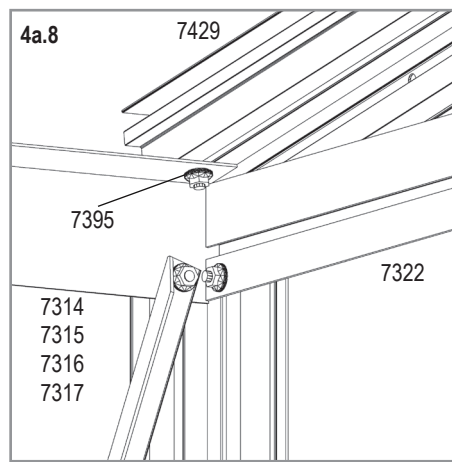
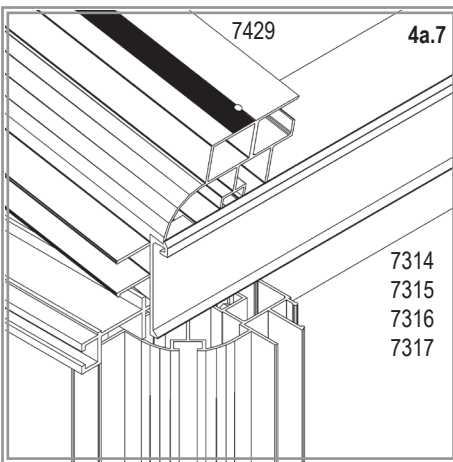
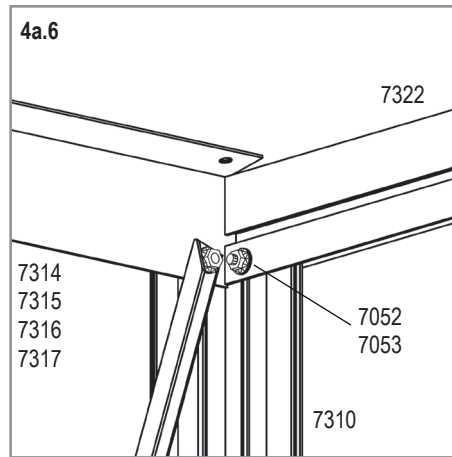
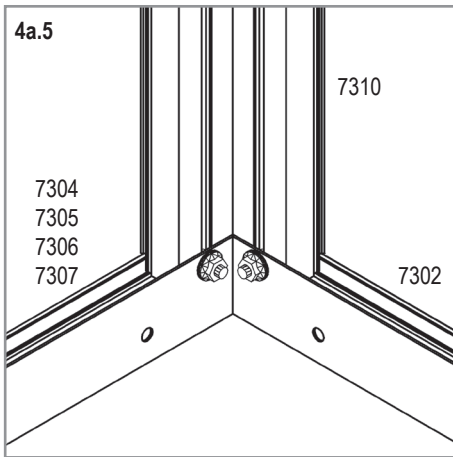
7000	8600	10200	11900
7052			
22x	22x	22x	22x
7053			
22x	22x	22x	22x
7334	7335	7336	7337
1x	1x	1x	1x
7346			
1x	1x	1x	1x
7347			
1x	1x	1x	1x
7348			
4x	4x	4x	4x
7395			
2x	2x	2x	2x
7396			
1x	1x	1x	1x
7411			
12x	13x	14x	15x
7412			
10x	10x	10x	10x
7414	7415	7416	7417
1x	1x	1x	1x
7421			
12x	13x	14x	15x
7422			
10x	10x	10x	10x
7428			
1x	1x	1x	1x
7429			
1x	1x	1x	1x



**VM0019-HA**



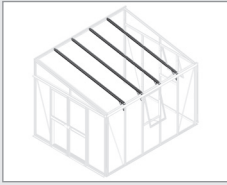
# 4a



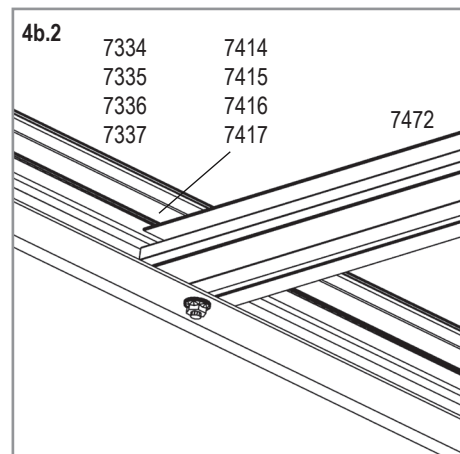
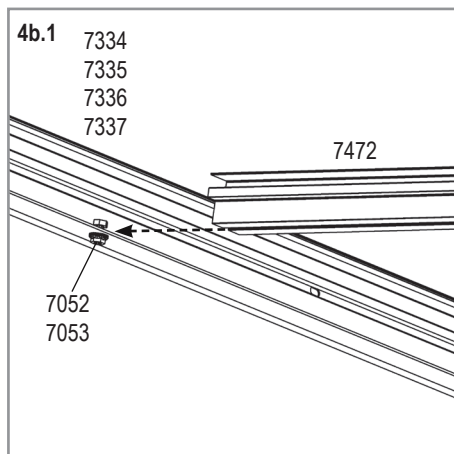
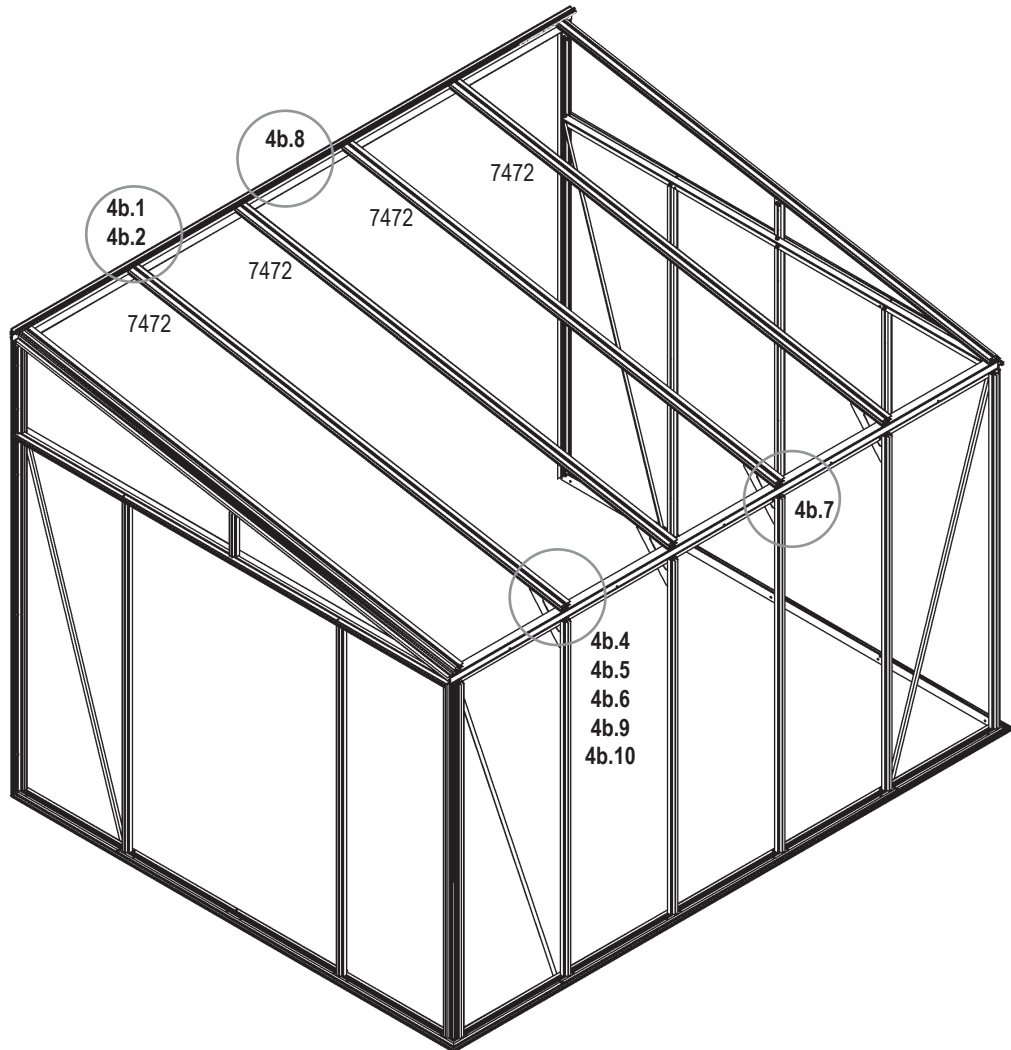
VM0019-HA

# 4b

(8600)

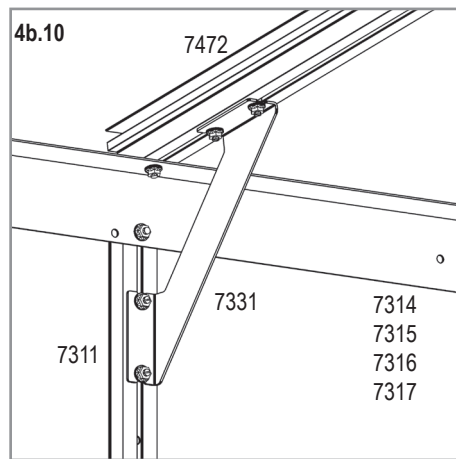
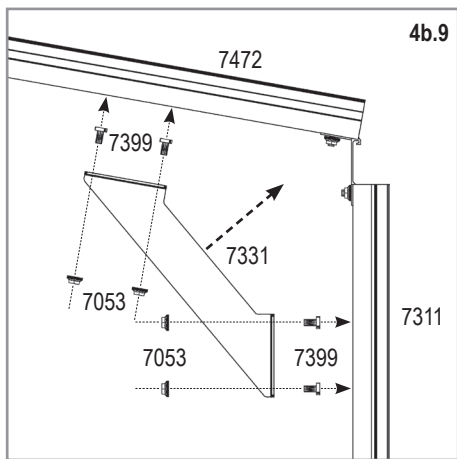
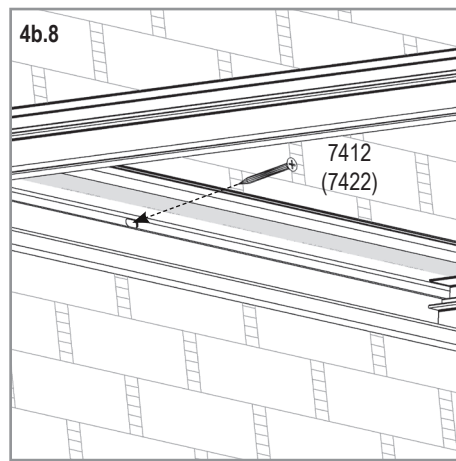
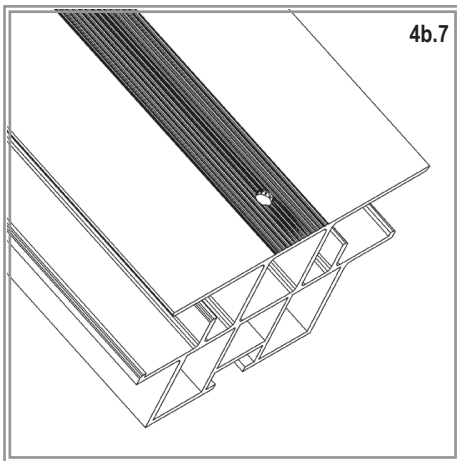
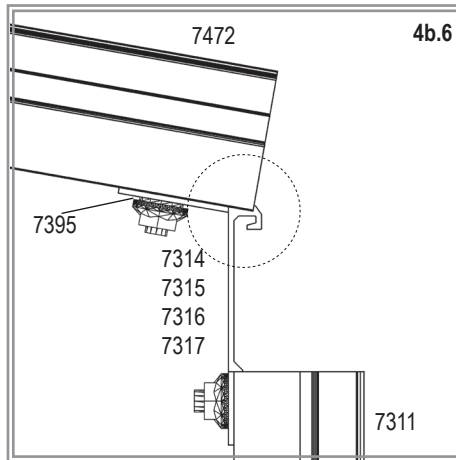
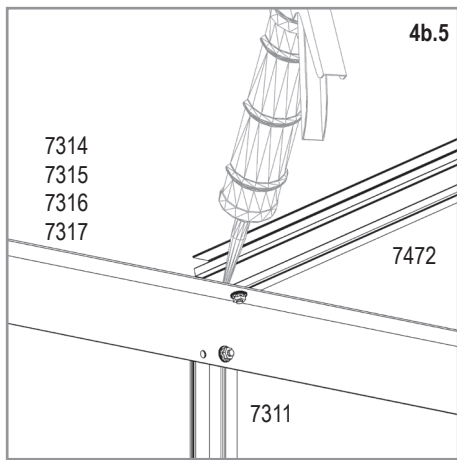
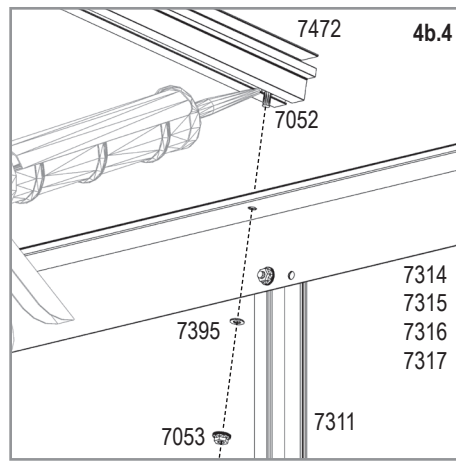
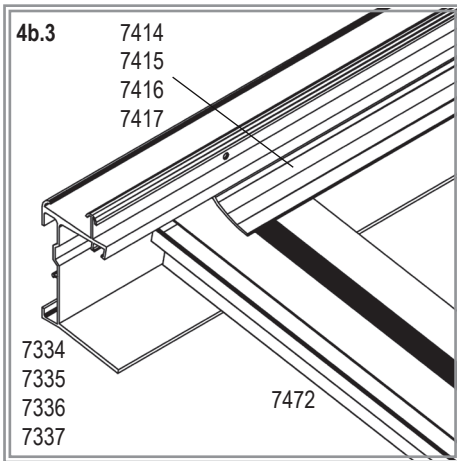


7000	8600	10200	11900
7052			
6x	8x	10x	12x
7053			
18x	24x	30x	36x
7331			
3x	4x	5x	6x
7395			
3x	4x	5x	6x
7399			
12x	16x	20x	24x
7412			
4x	5x	6x	7x
7422			
4x	5x	6x	7x
7472			
3x	4x	5x	6x



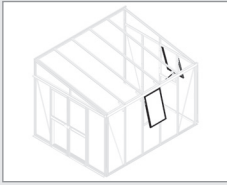
VM0019-HA

# 4b

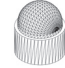

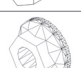

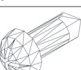
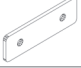
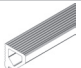

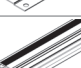
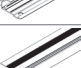
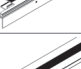
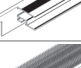


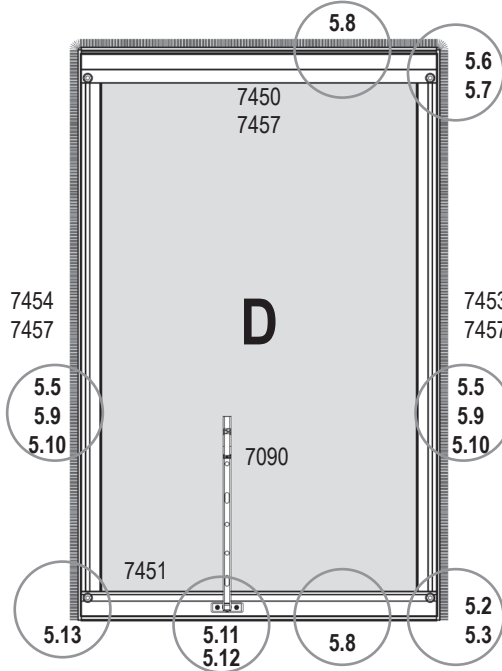
VM0019-HA

# 5

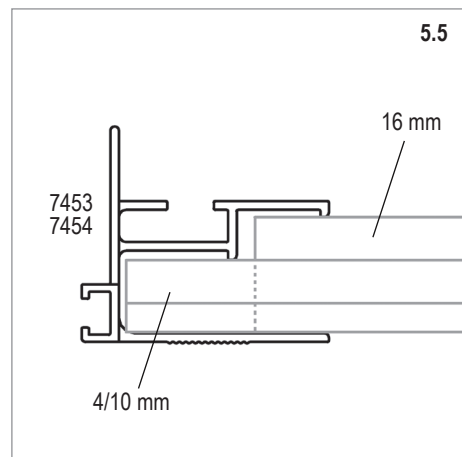
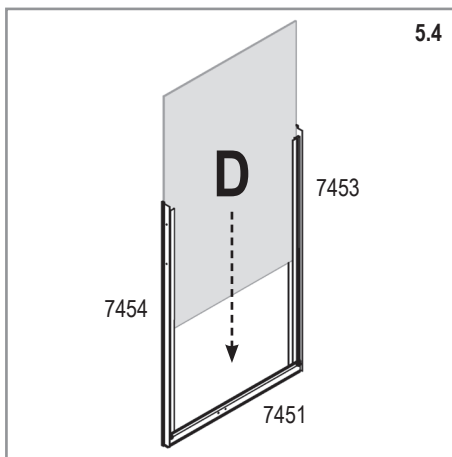
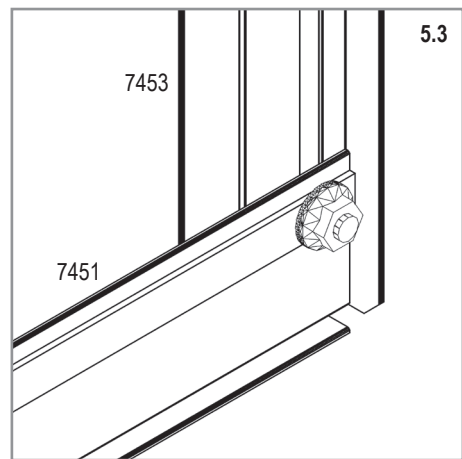
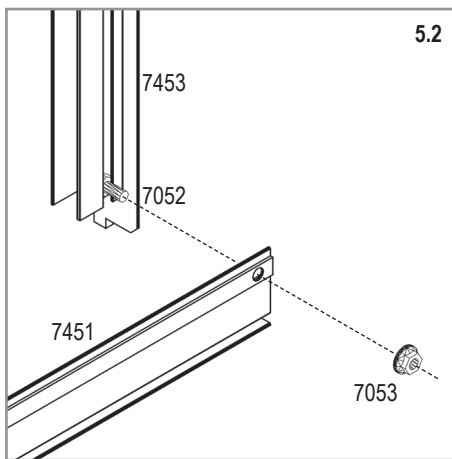


### All Models

- 6070  
4x 2 
- 7052  
4x 2 
- 7053  
4x 2 
- 7090  
1x 2 
- 7349  
2x 2 
- 7413  
1x 2 
- 7420  
1x 2 
- 7450  
1x 2 
- 7451  
1x 2 
- 7453  
1x 2 
- 7454  
1x 2 
- 7457  
1x 2 

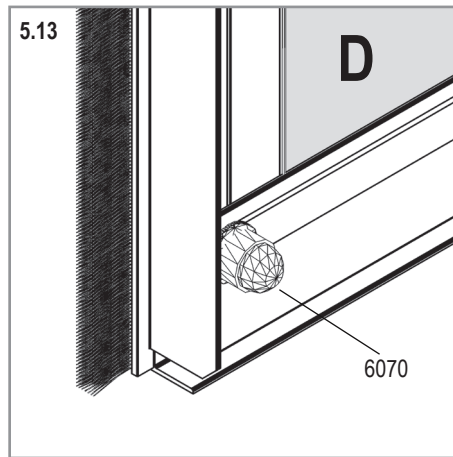
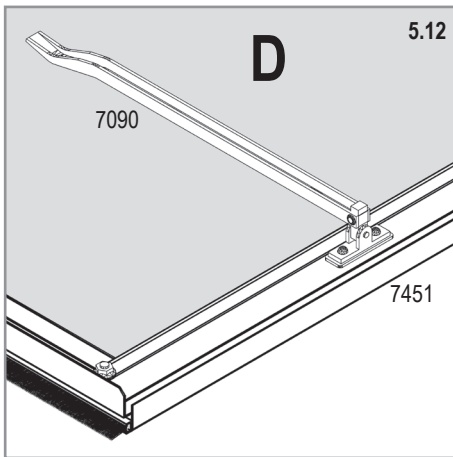
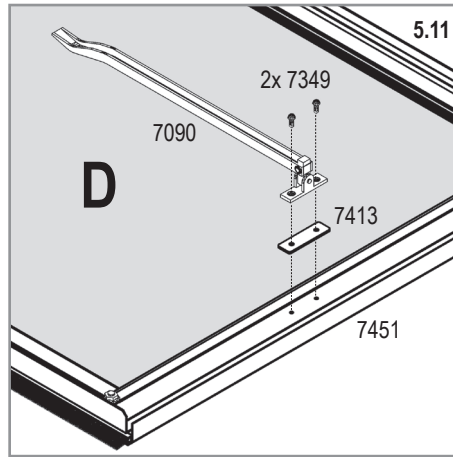
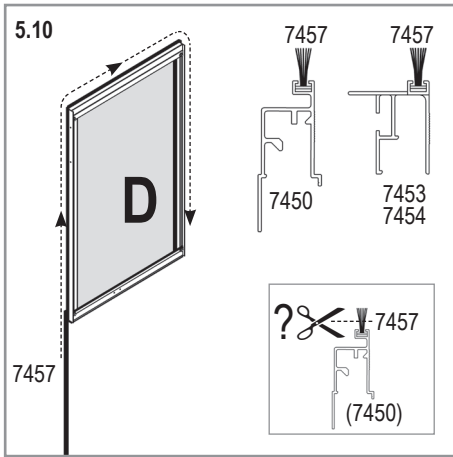
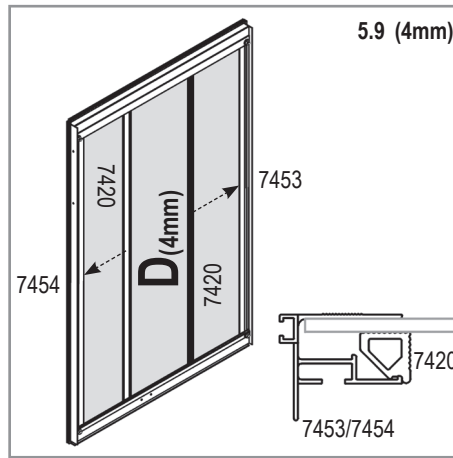
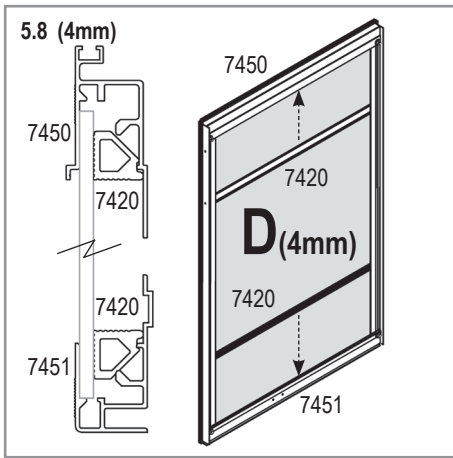
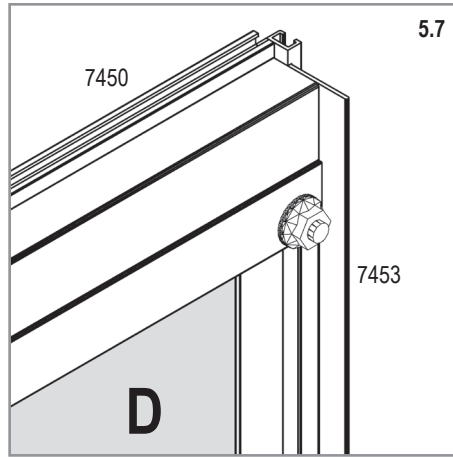
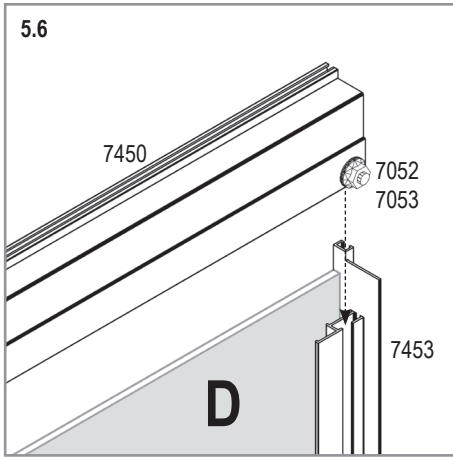


5.1	GLASS		POLYCARBONATE				QUANTITY / MODEL			
	4 MM		10 MM		16 MM		7000	8600	10200	11900
	ART. No.	MM	ART. No.	MM	ART. No.	MM				
D	40000657	555 x 870	369581	555 x 870	40000695	519 x 852	1x 2	1x 2	1x 2	1x 2



VM0019-HA

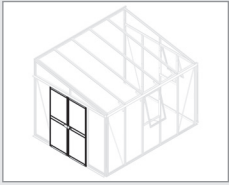
# 5

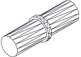


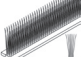






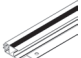
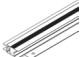




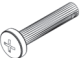



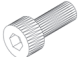

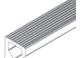


VM0019-HA

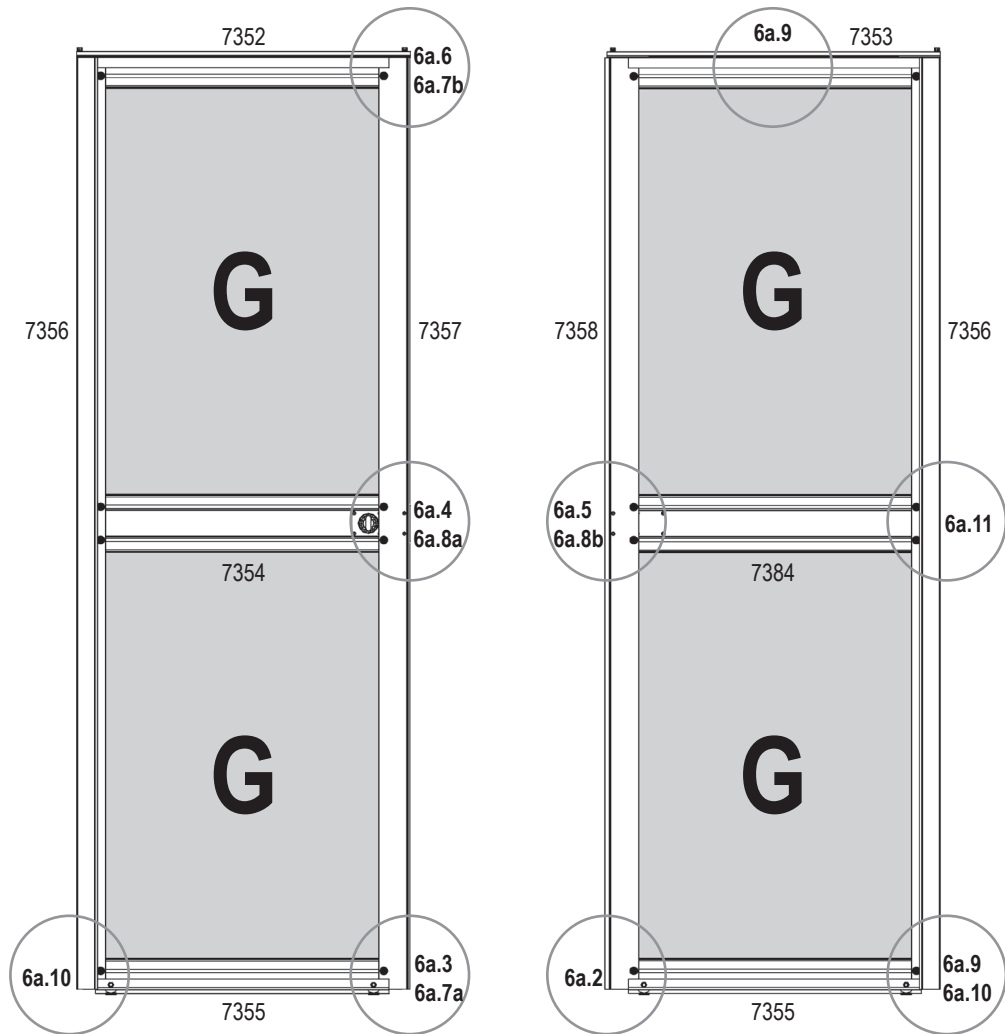


# 6a

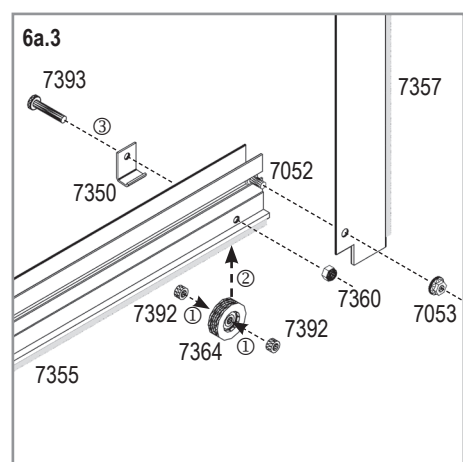
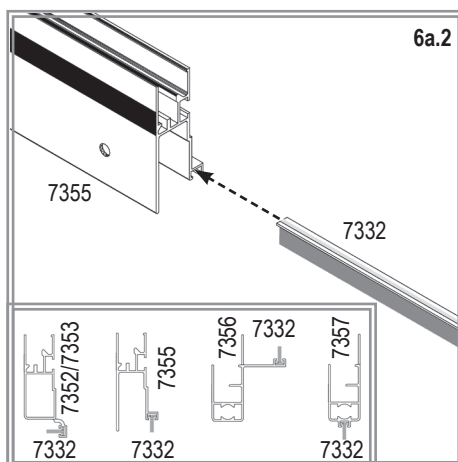


- All Models**
- 2271 4x 
  - 7052 16x 
  - 7053 16x 
  - 7332 1x 
  - 7350 4x 
  - 7352 1x 
  - 7353 1x 
  - 7354 1x 
  - 7355 2x 
  - 7356 2x 
  - 7357 1x 
  - 7358 1x 
  - 7360 4x 
  - 7364 4x 
  - 7384 1x 
  - 7392 8x 
  - 7393 4x 
  - 7400 1x 
  - 7401 1x 
  - 7402 1x 
  - 7404 8x 
  - 7405 4x 
  - 7420 1x 

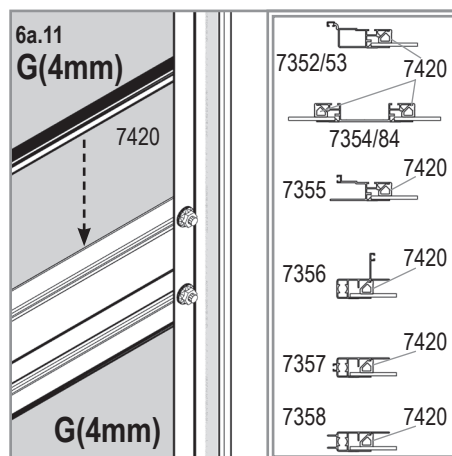
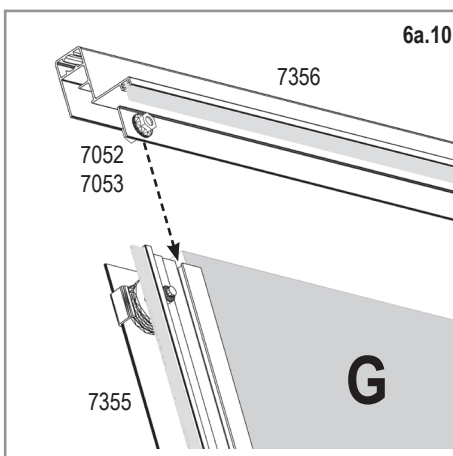
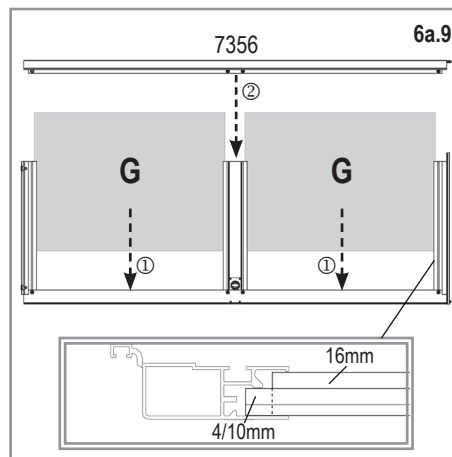
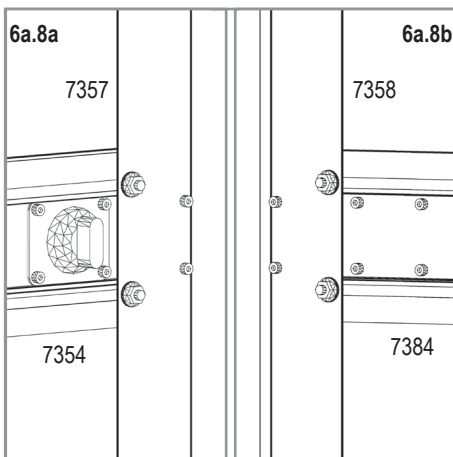
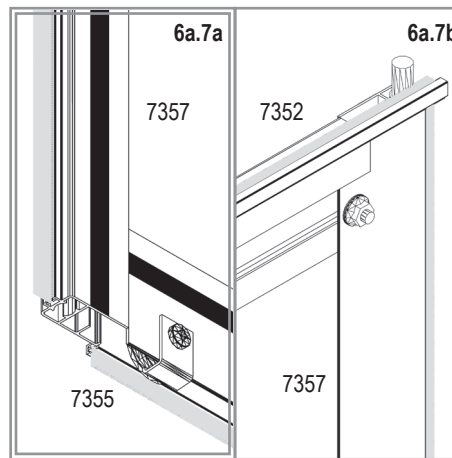
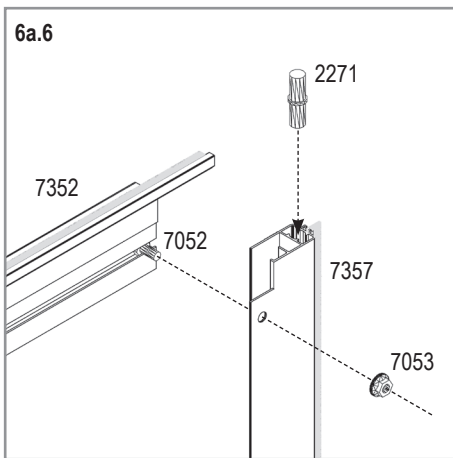
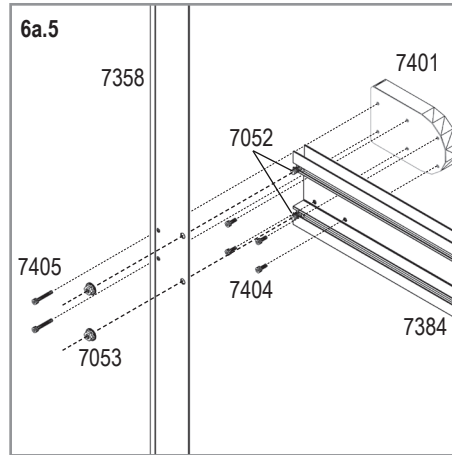
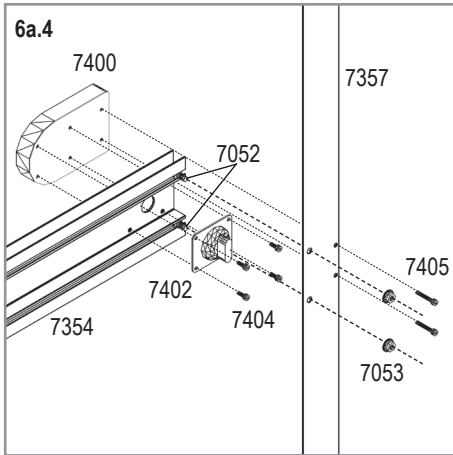
**VM0019-HA**



6a.1	GLASS		POLYCARBONATE				QUANTITY / MODEL			
	4 MM		10 MM		16 MM		7000	8600	10200	11900
	ART. No.	MM	ART. No.	MM	ART. No.	MM				
G	367853	619 x 843	369586	619 x 843	369596	595 x 823	4x	4x	4x	4x

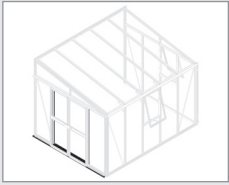


# 6a



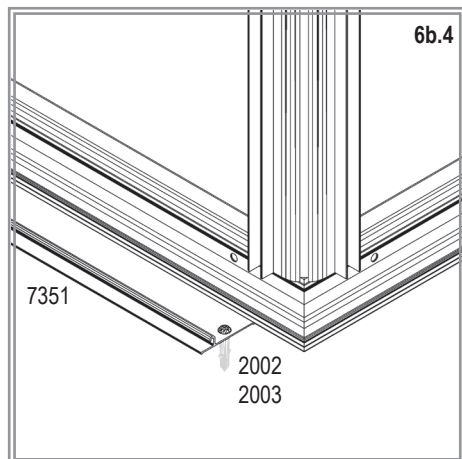
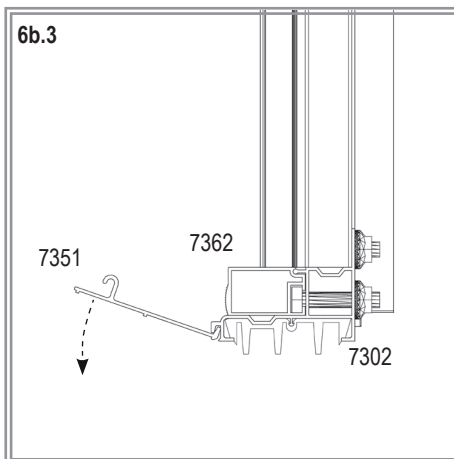
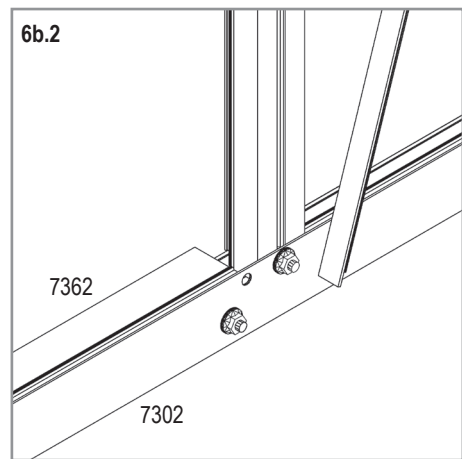
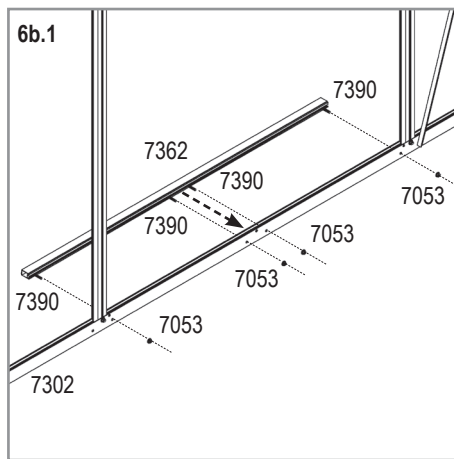
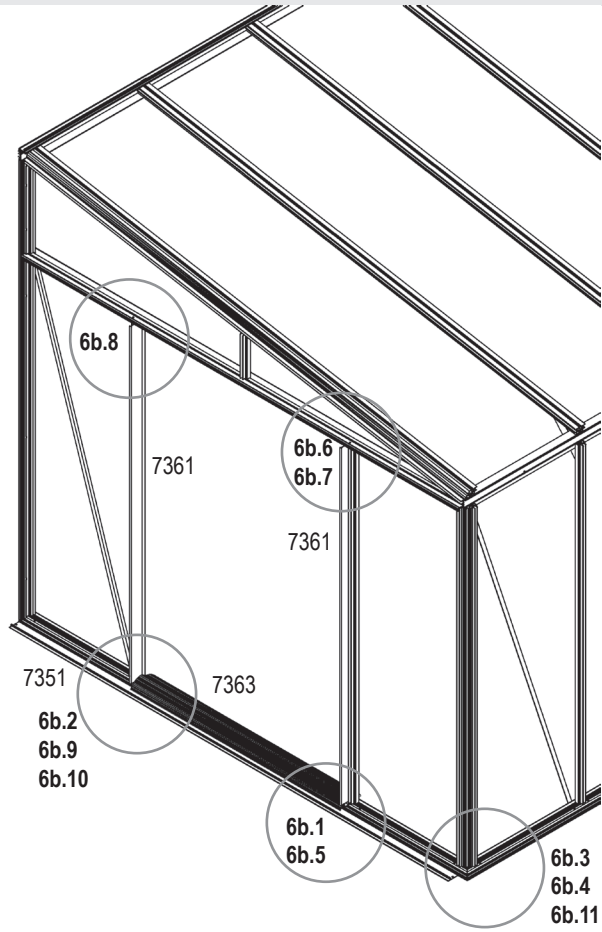
VM0019-HA

# 6b



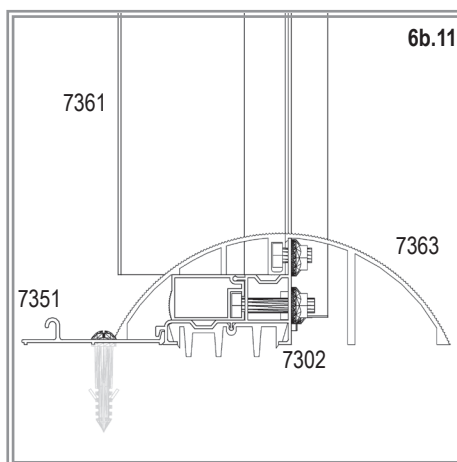
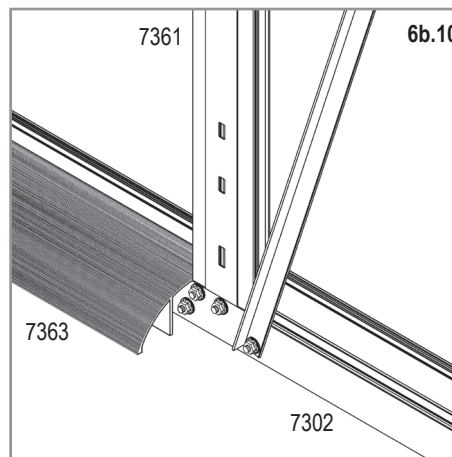
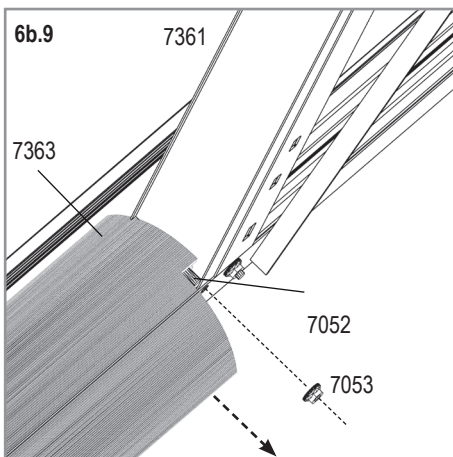
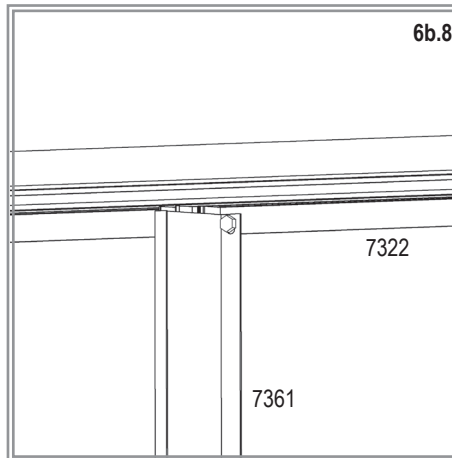
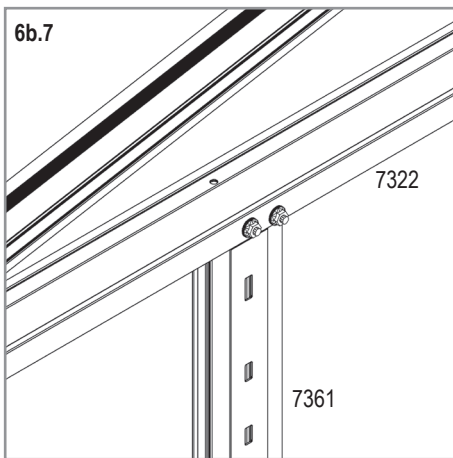
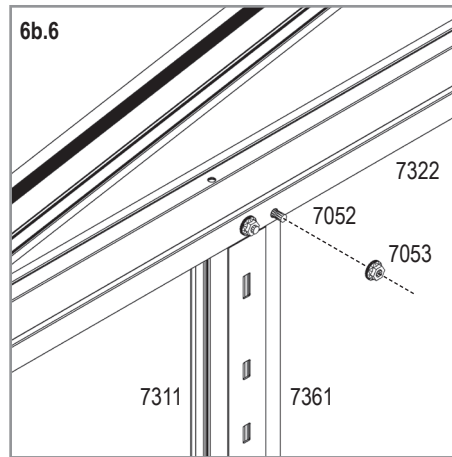
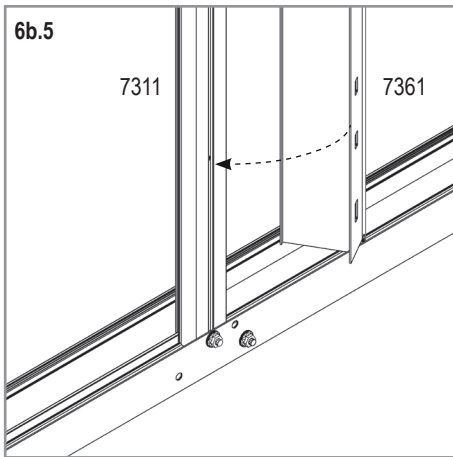
## All Models

2002 2x	
2003 2x	
7052 4x	
7053 8x	
7351 1x	
7361 2x	
7362 1x	
7363 1x	
7390 4x	

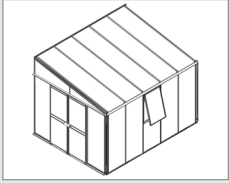


VM0019-HA

# 6b

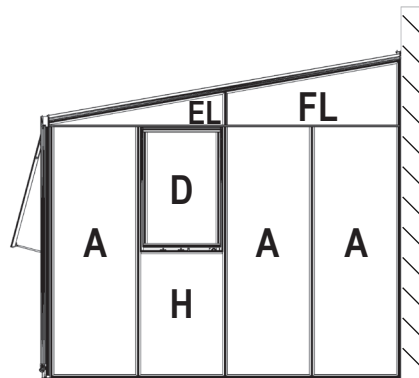


VM0019-HA

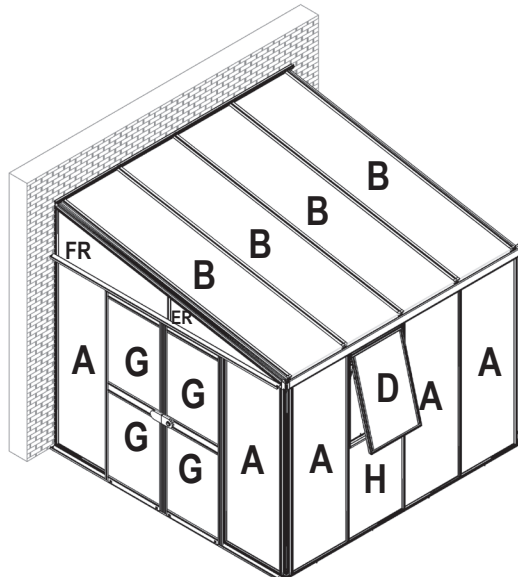


7.1	GLASS		POLYCARBONATE				QUANTITY / MODEL			
	≤4 MM		10 MM		16 MM		7000	8600	10200	11900
	ART. No.	MM	ART. No.	MM	ART. No.	MM				
A	367850	610 x 1816	40000893	610 x 1816	40000894	610 x 1816	8x	9x	10x	11x
B	-	-	369584	610 x 2583	-	-	4x	5x	6x	7x
D	40000657	555 x 870 x 4	369581	555 x 870	40000695	519 x 852	2x	2x	2x	2x
EL	367851	1239 x 230/11.5	40000895	1239 x 230/11.5	40000896	1239 x 230/11.5	1x	1x	1x	1x
ER			40000897		40000898		1x	1x	1x	1x
FL	367852	1239 x 452/233.5	40000899	1239 x 452/233.5	40000901	1239 x 452/233.5	1x	1x	1x	1x
FR			40000900		40000902		1x	1x	1x	1x
G	367853	619 x 843 x 4	369586	619 x 843	369596	595 x 823	4x	4x	4x	4x
H	40000658	610 x 895	40000696	610 x 895	40000697	610 x 895	2x	2x	2x	2x
<b>TOTAL</b>							<b>24x</b>	<b>26x</b>	<b>28x</b>	<b>30x</b>

Back Gabel - all models



(7000)

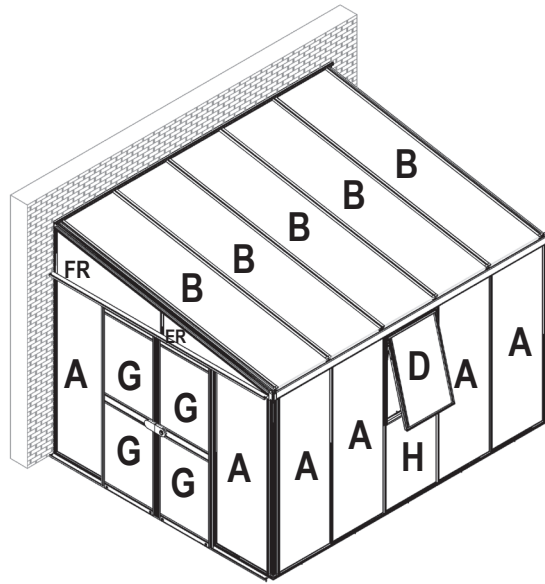


VM0019-HA

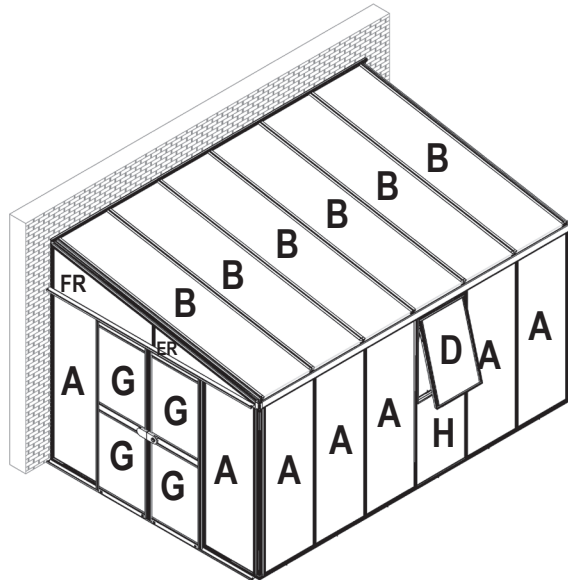


# 7

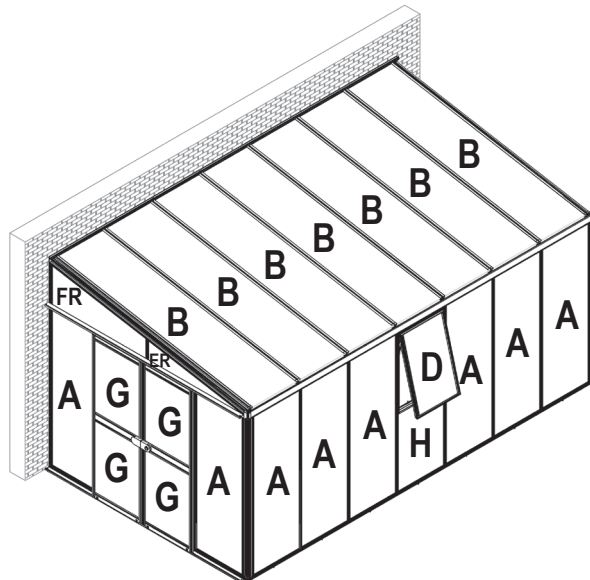
(8600)



(10200)



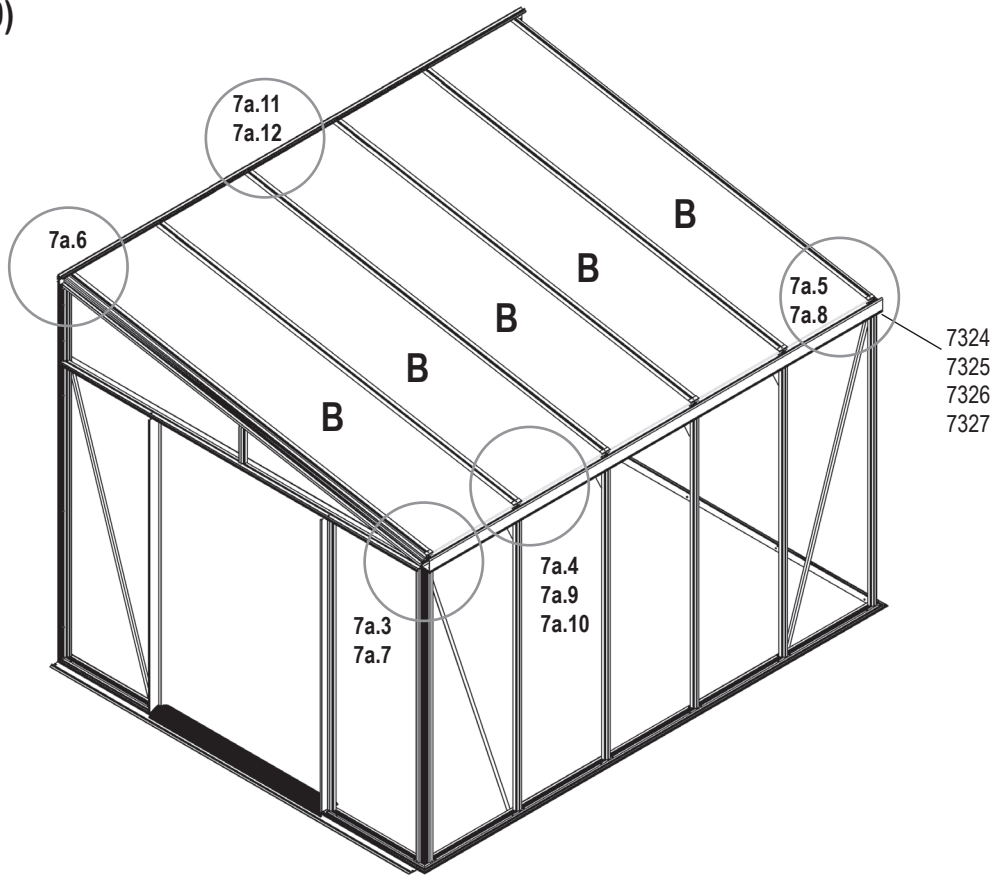
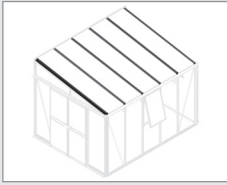
(11900)

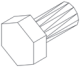


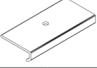
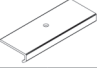
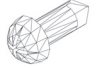





VM0019-HA

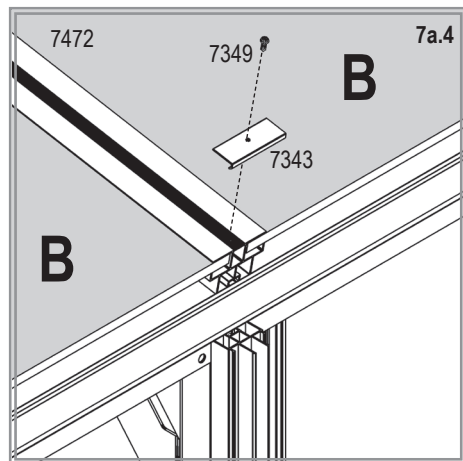
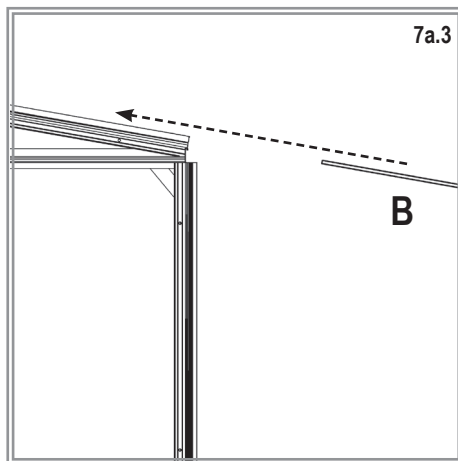
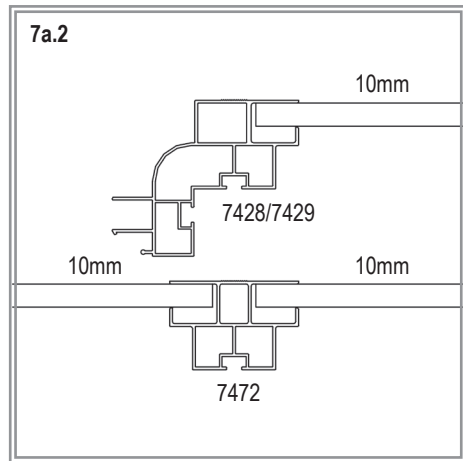
# 7a

(8600)



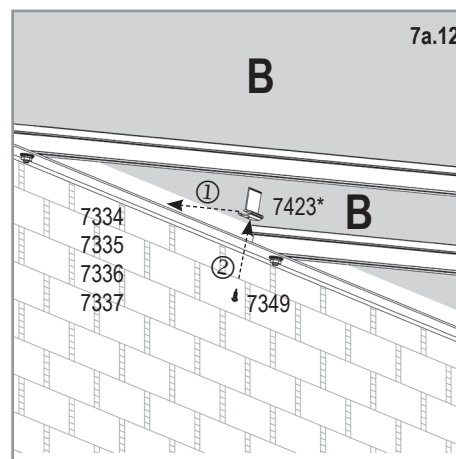
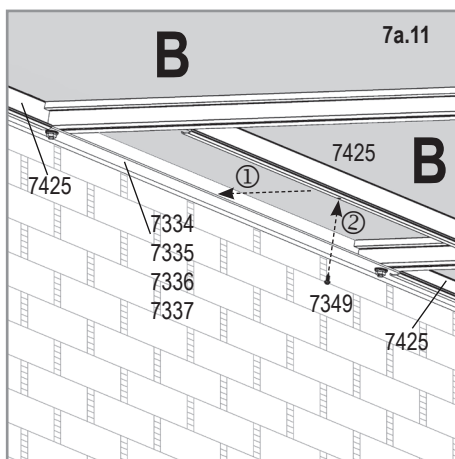
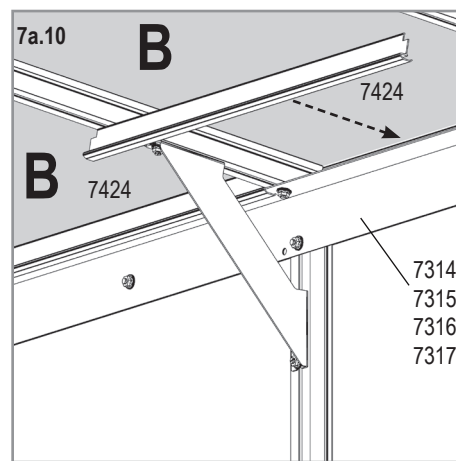
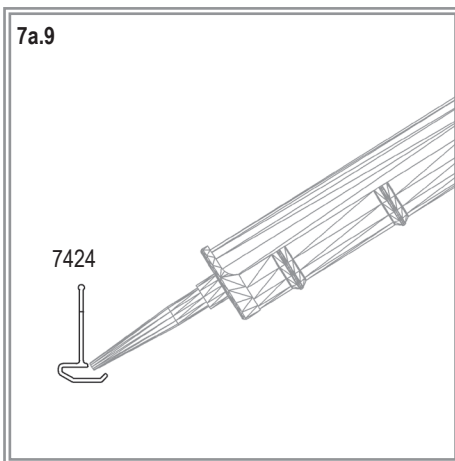
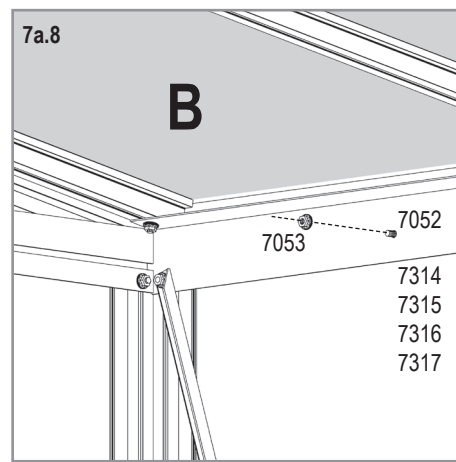
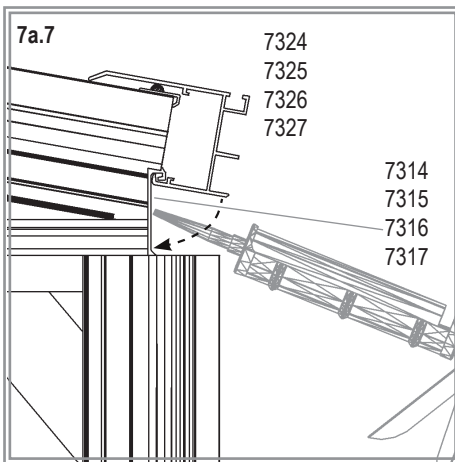
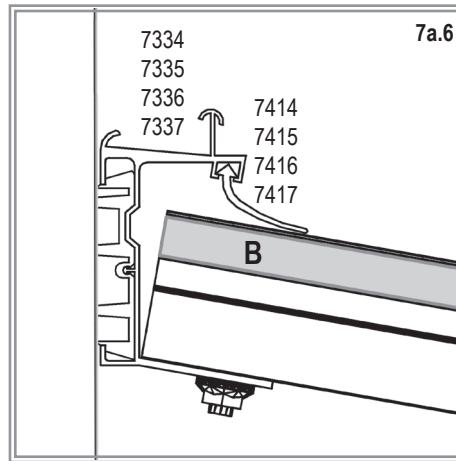
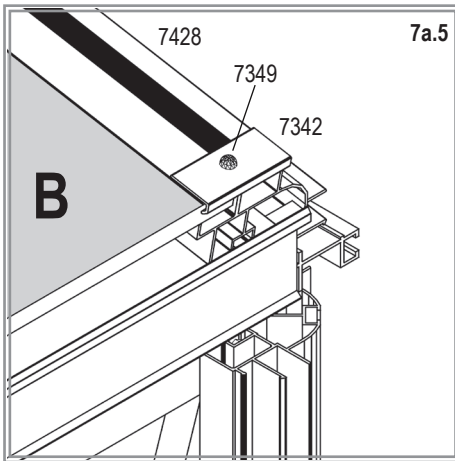
7000	8600	10200	11900
7052 			
4x	5x	6x	7x
7053 			
4x	5x	6x	7x
			
7324	7325	7326	7327
1x	1x	1x	1x
7342 			
2x	2x	2x	2x
7343 			
3x	4x	5x	6x
7349 			
13x	16x	19x	22x
7423* 			
8x*	10x*	12x*	14x*
7424 			
4x	5x	6x	7x
7425 			
4x	5x	6x	7x

7a.1	POLYCARBONATE		QUANTITY / MODEL			
	10 MM		7000	8600	10200	11900
	ART. No.	MM				
B	369584	610 x 2583	4x	5x	6x	7x



VM0019-HA

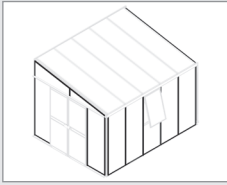
# 7a



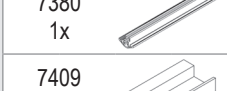
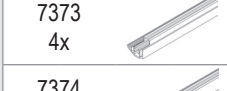
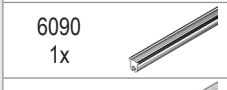
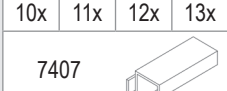
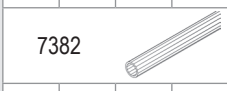
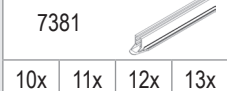
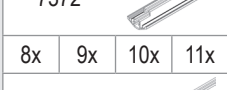
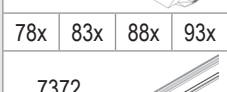
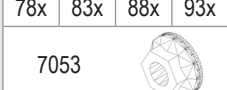
VM0019-HA

# 7b

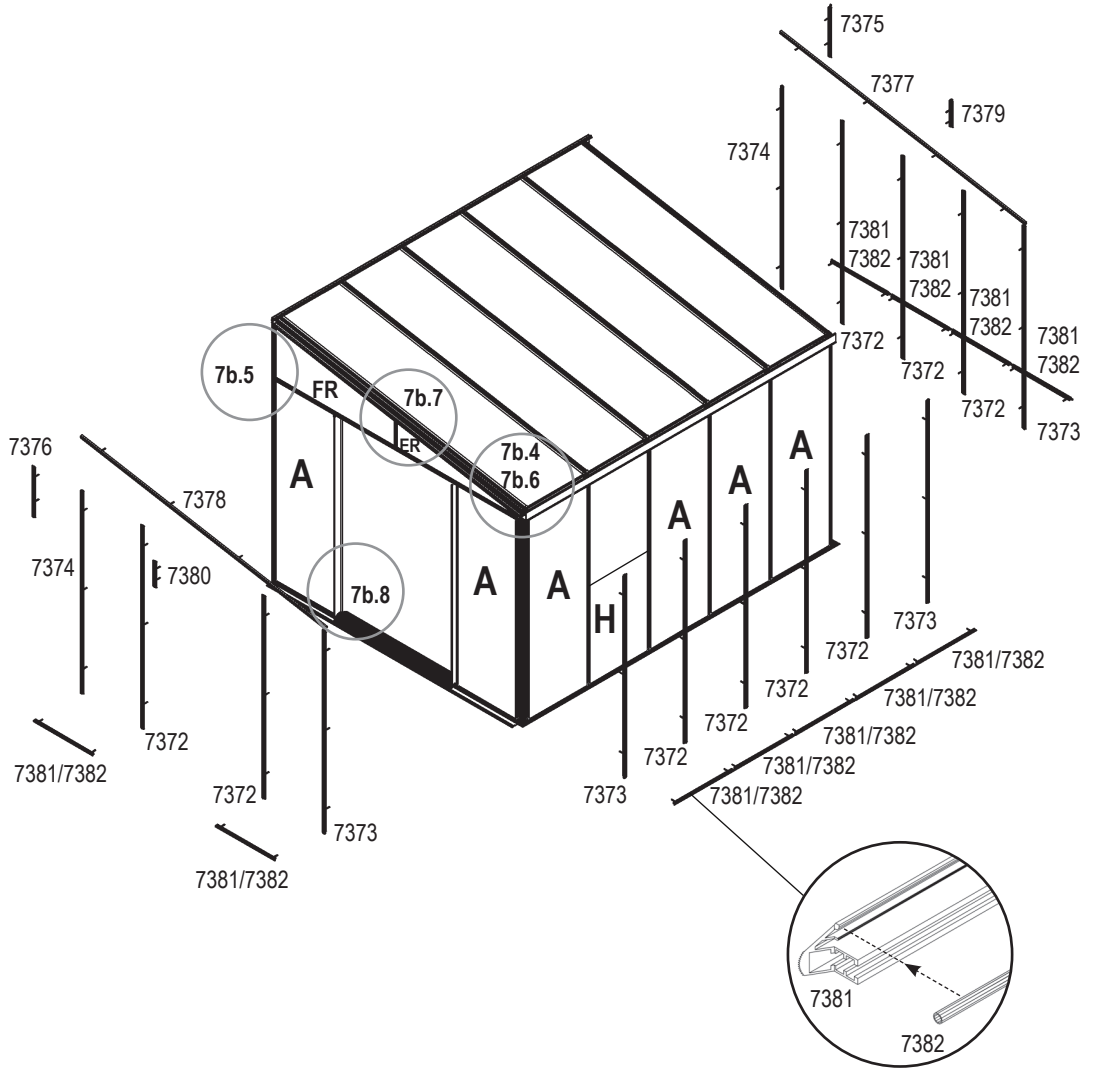
(8600)



7000	8600	10200	11900
------	------	-------	-------

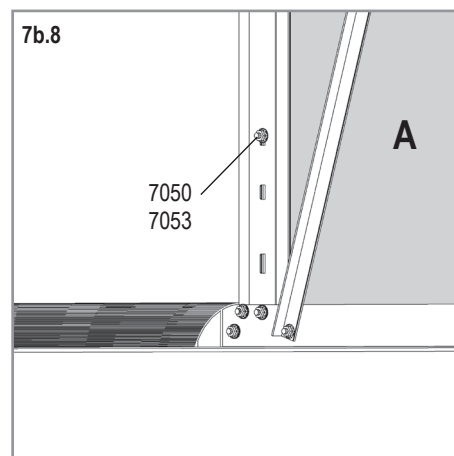
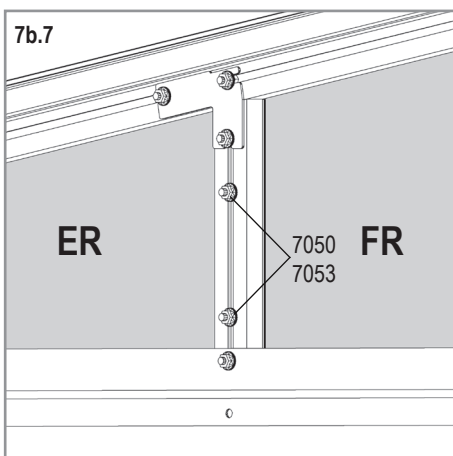
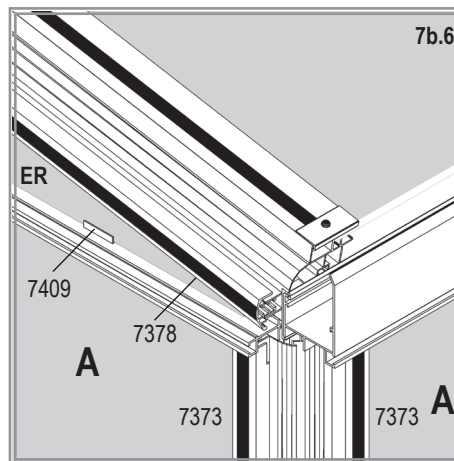
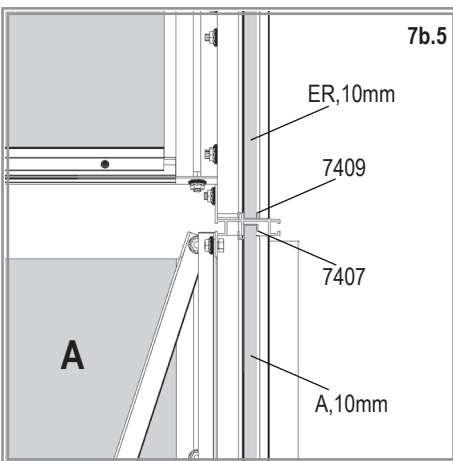
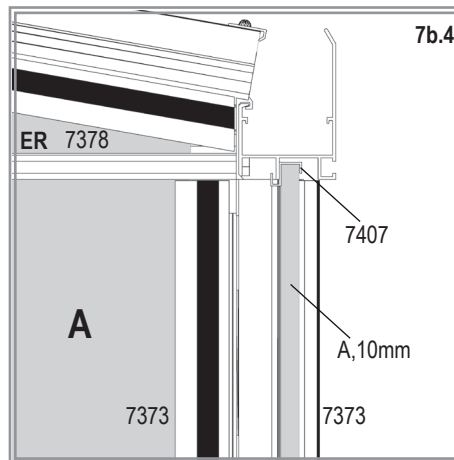
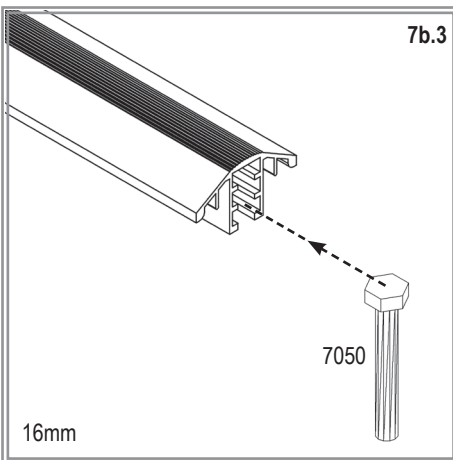
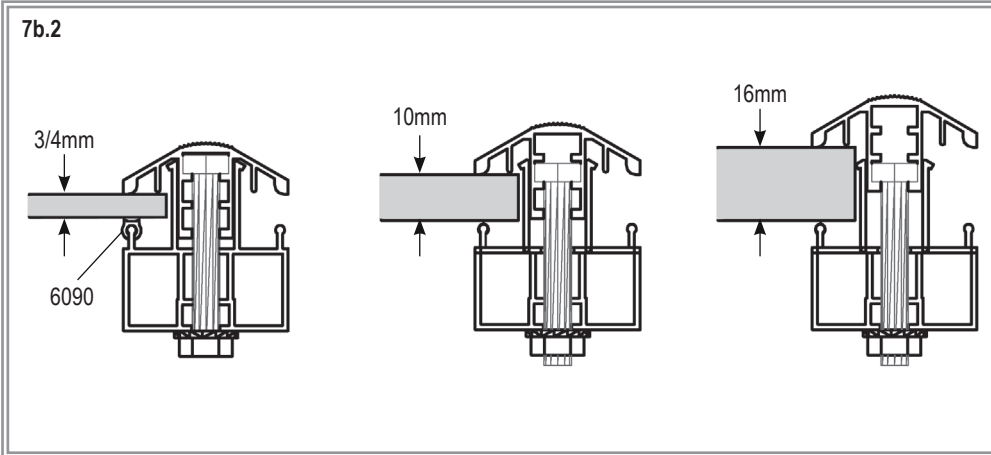


**VM0019-HA**



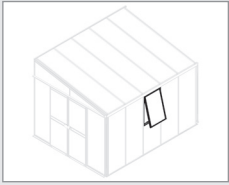
7b.1	GLASS		POLYCARBONATE				QUANTITY / MODEL			
	≤4 MM		10 MM		16 MM		7000	8600	10200	11900
	ART. No.	MM	ART. No.	MM	ART. No.	MM				
A	367850	610 x 1816	40000893	610 x 1816	40000894	610 x 1816	10x	11x	12x	13x
EL	367851	1239 x 230/11.5	40000895	1239 x 230/11.5	40000896	1239 x 230/11.5	1x	1x	1x	1x
ER			40000897		40000898		1x	1x	1x	1x
FL	367852	1239 x 452/233.5	40000899	1239 x 452/233.5	40000901	1239 x 452/233.5	1x	1x	1x	1x
FR			40000900		40000902		1x	1x	1x	1x
H	40000658	610 x 895	40000696	610 x 895	40000697	610 x 895	2x	2x	2x	2x

# 7b

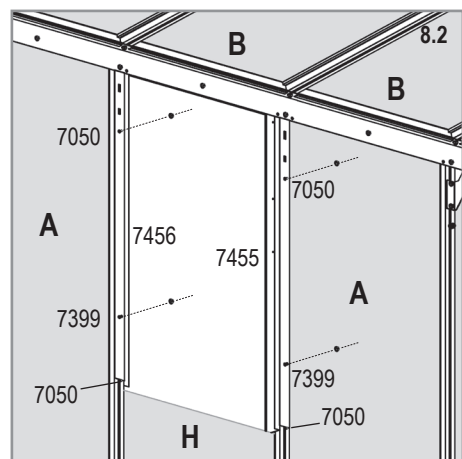
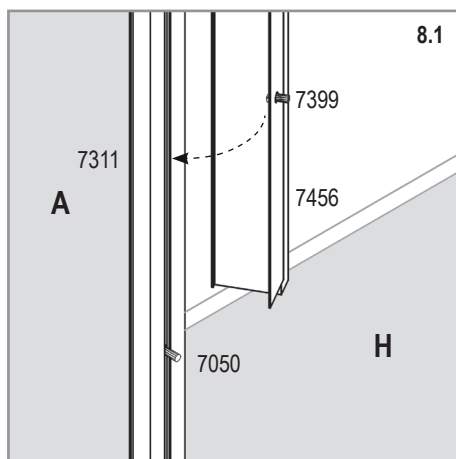
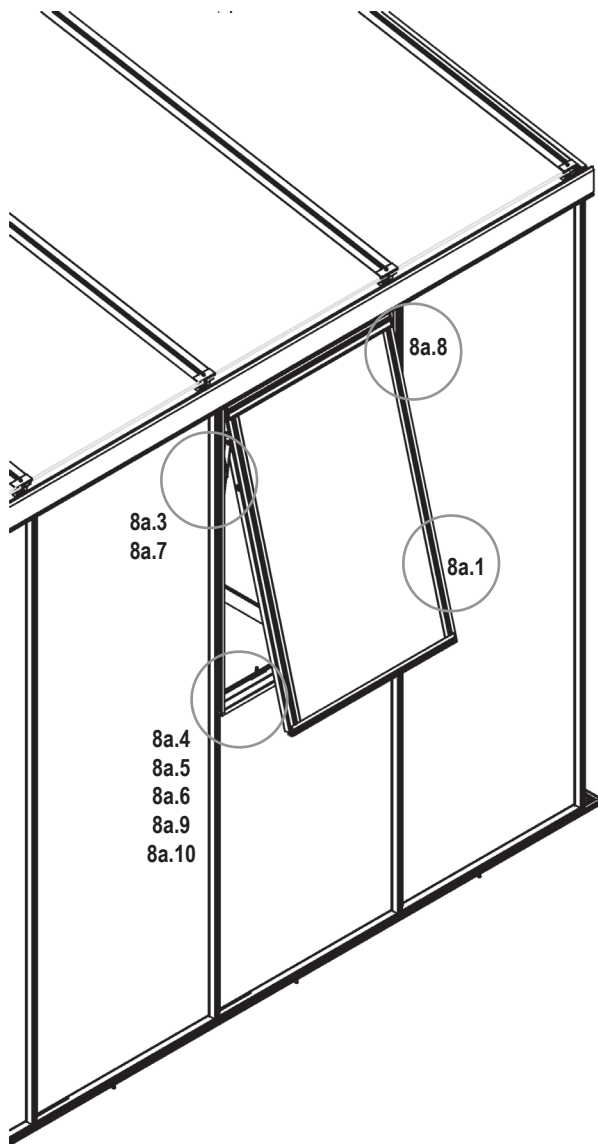


VM0019-HA



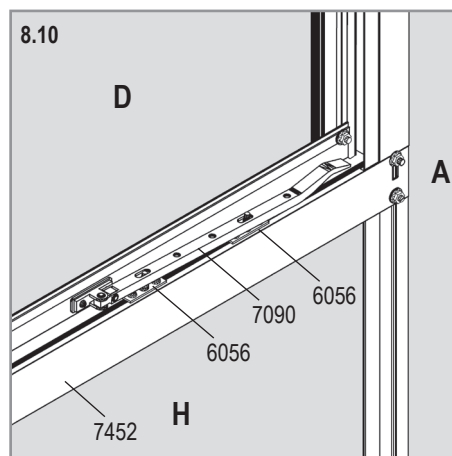
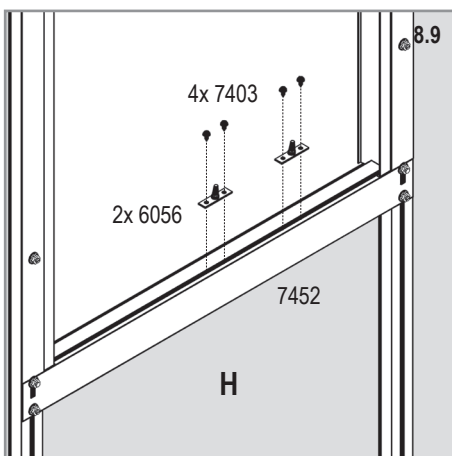
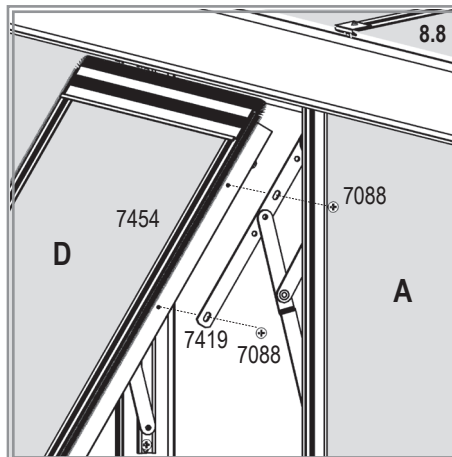
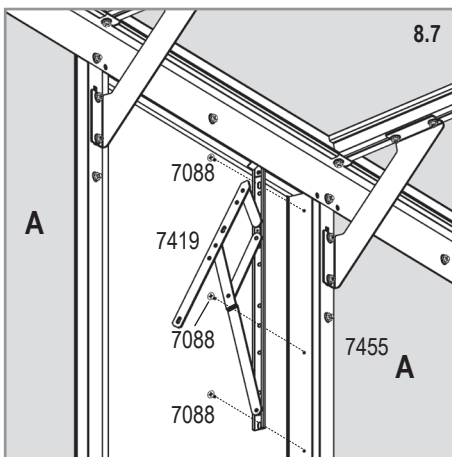
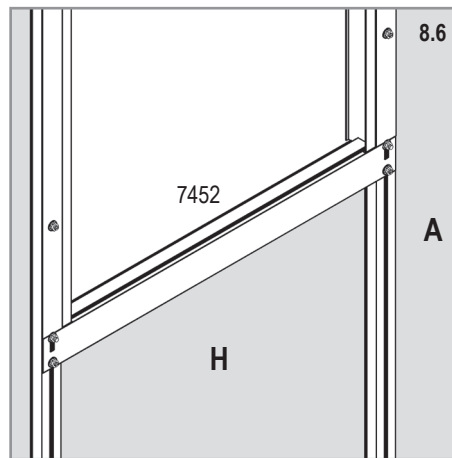
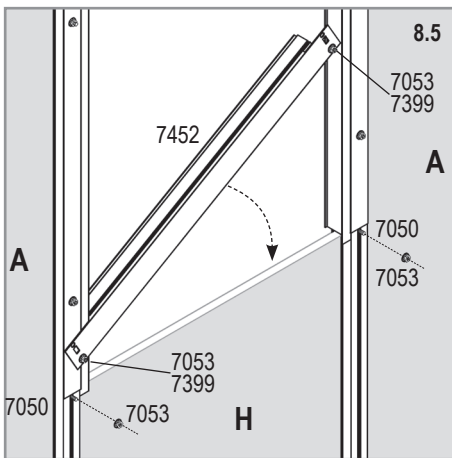
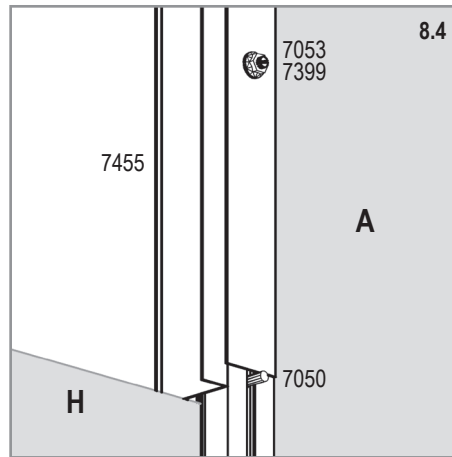
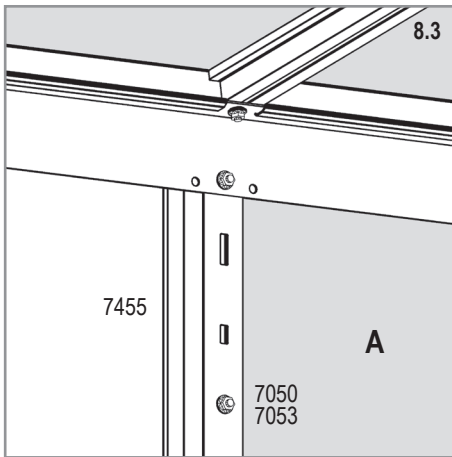


All Models	
6056 2x 2	
7053 4x 2	
7088 10x 2	
7399 4x 2	
7403 4x 2	
7419 2x 2	
7452 1x 2	
7455 1x 2	
7456 1x 2	



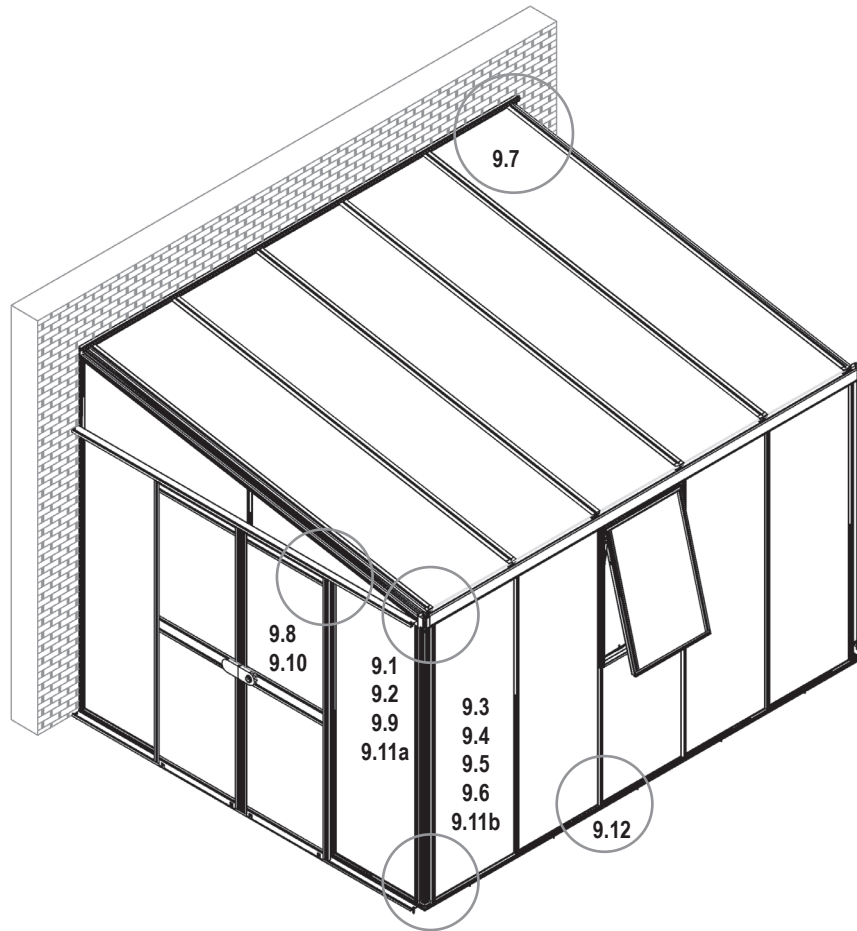
VM0019-HA

# 8

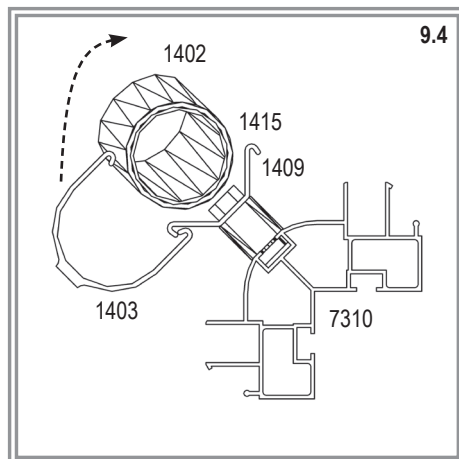
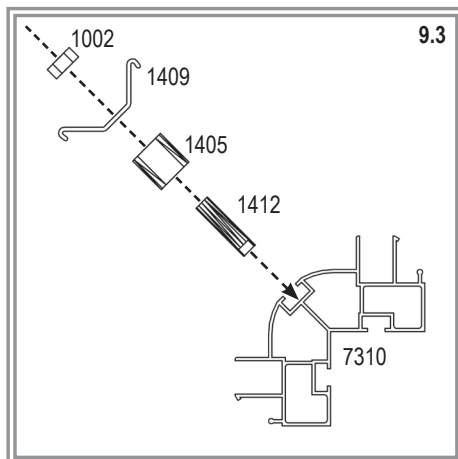
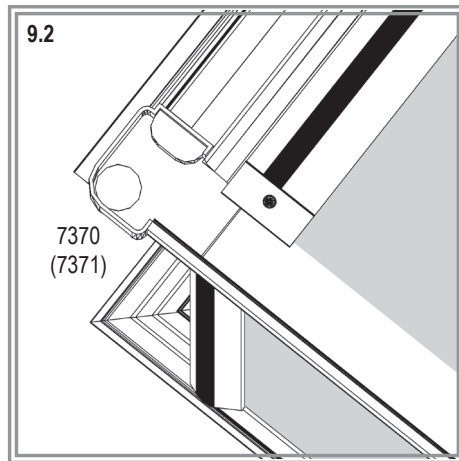
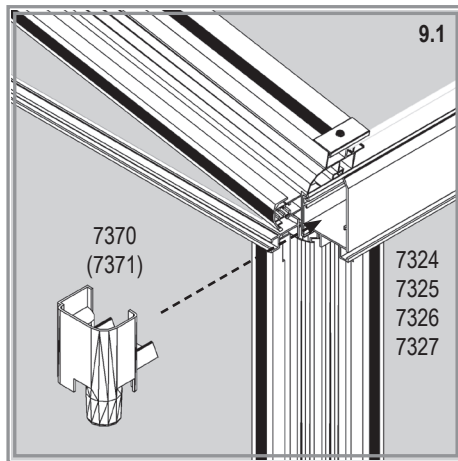


VM0019-HA

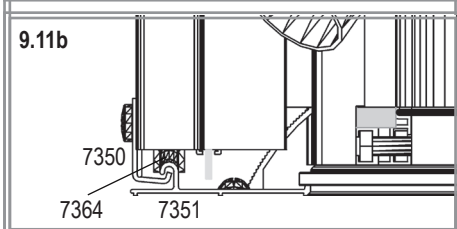
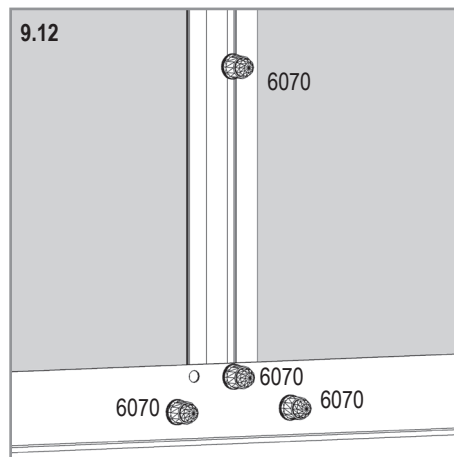
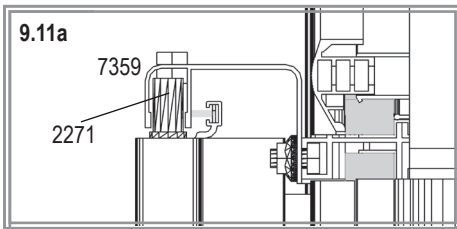
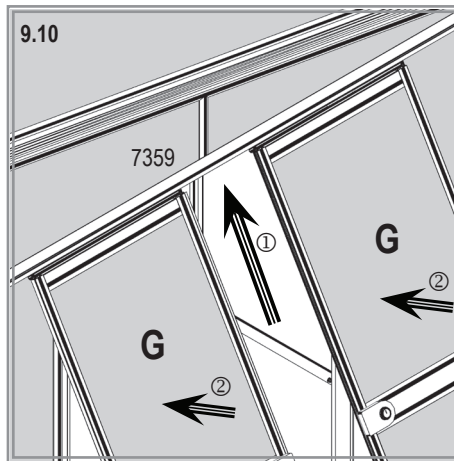
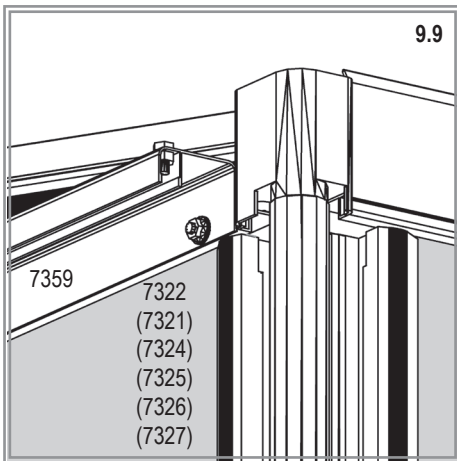
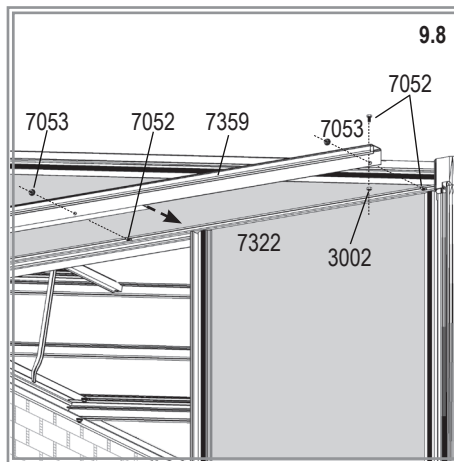
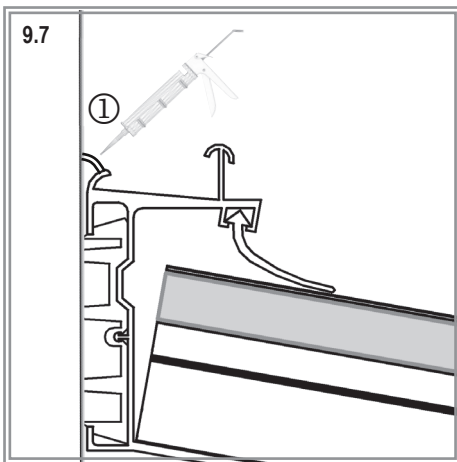
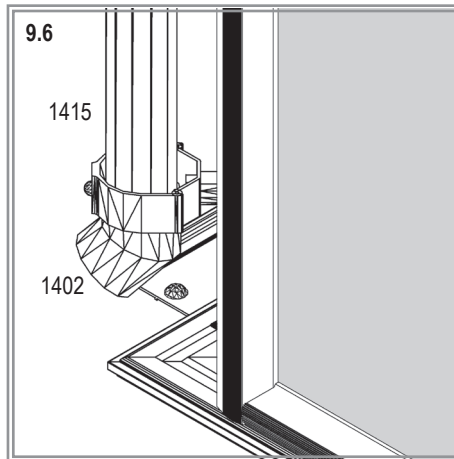
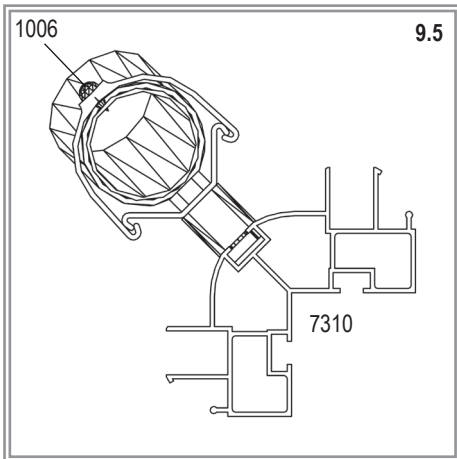
(8600)



7000	8600	10200	11900
6070			
188x	202x	216x	230x
<b>All Models</b>			
1002 2x			
1006 2x			
1402 2x			
1403 2x			
1405 2x			
1409 2x			
1412 2x			
1415 2x			
3002 2x			
7052 6x			
7053 4x			
7359 1x			
7370 1x			
7371 1x			



VM0019-HA





E.P.H. Schmidt u. Co. GmbH  
Hoefkerstrasse 30  
44149 Dortmund  
Postfach 170163  
44060 Dortmund  
Deutschland  
Tel.: +49 231 941655 0  
Fax: +49 231 941655 99  
[www.eph-schmidt.de](http://www.eph-schmidt.de)  
[verkauf@eph-schmidt.de](mailto:verkauf@eph-schmidt.de)

OPJ A/S  
Volderslevvej 36 A  
5260 Odense S  
Danmark  
Tel.: +45 66 15 10 30  
Fax: +45 66 15 00 84  
[www.opj.dk](http://www.opj.dk)  
[opj@opj.dk](mailto:opj@opj.dk)